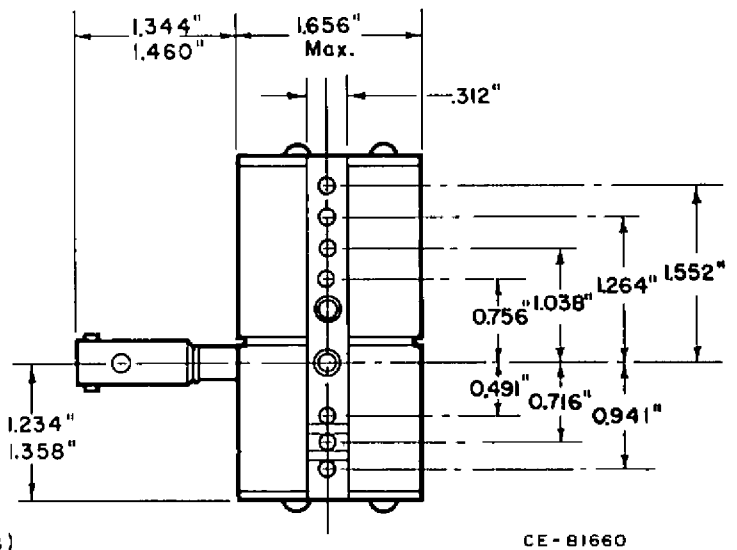
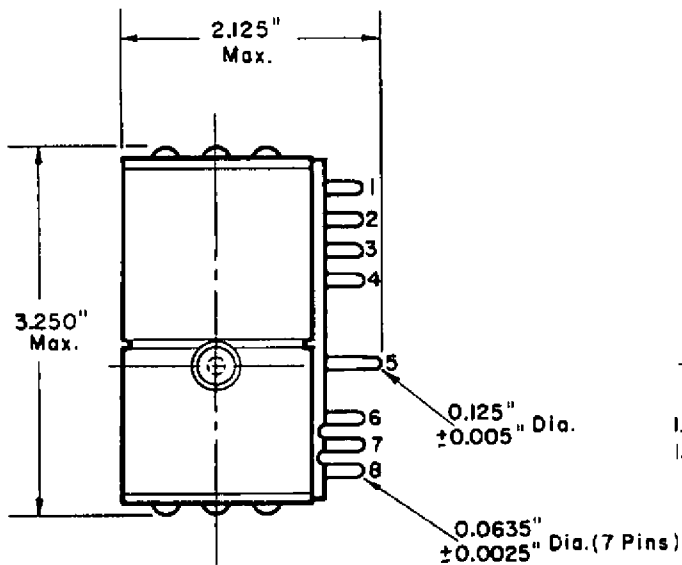
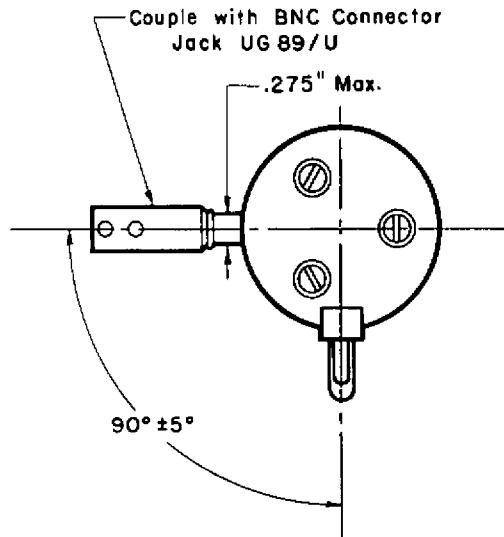




PIN#	CONNECTION
1	NO CONNECTION
2	NO CONNECTION
3	NO CONNECTION
4	NO CONNECTION
5	ANODE (GROUND)
6	HEATER
7	CATHODE
8	HEATER



CE-81660