



# Cunningham Radiotron

## RCA-6J5

### DETECTOR AMPLIFIER TRIODE (TENTATIVE DATA)

---

Heater Voltage (A.C. or D.C.)	6.3	Volts
Heater Current	0.3	Ampere
Direct Interelectrode Capacitances (Approx.): #		
Grid to Plate	3.4	$\mu\mu\text{f}$
Grid to Cathode	3.4	$\mu\mu\text{f}$
Plate to Cathode	3.6	$\mu\mu\text{f}$
Maximum Overall Length	2-5/8"	
Maximum Diameter	1-5/16"	
Base	Small Wafer Octal 6-Pin	

### As Class A<sub>1</sub> Amplifier

#### Operating Conditions and Characteristics:

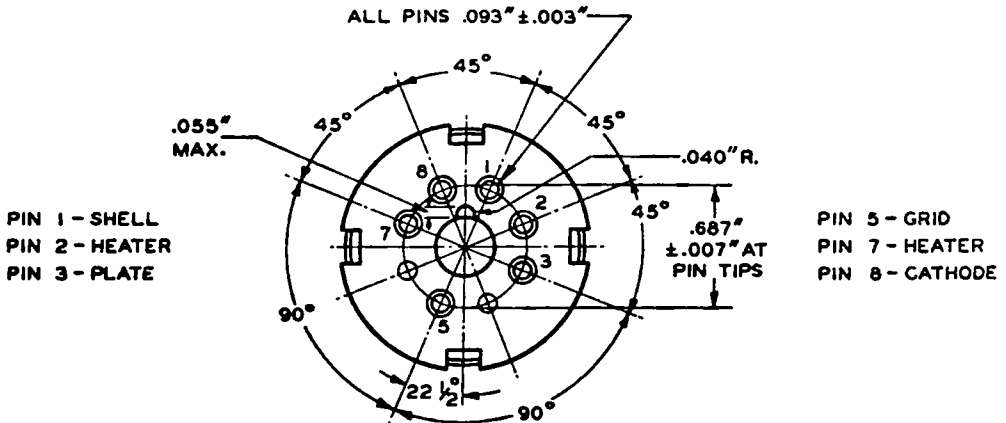
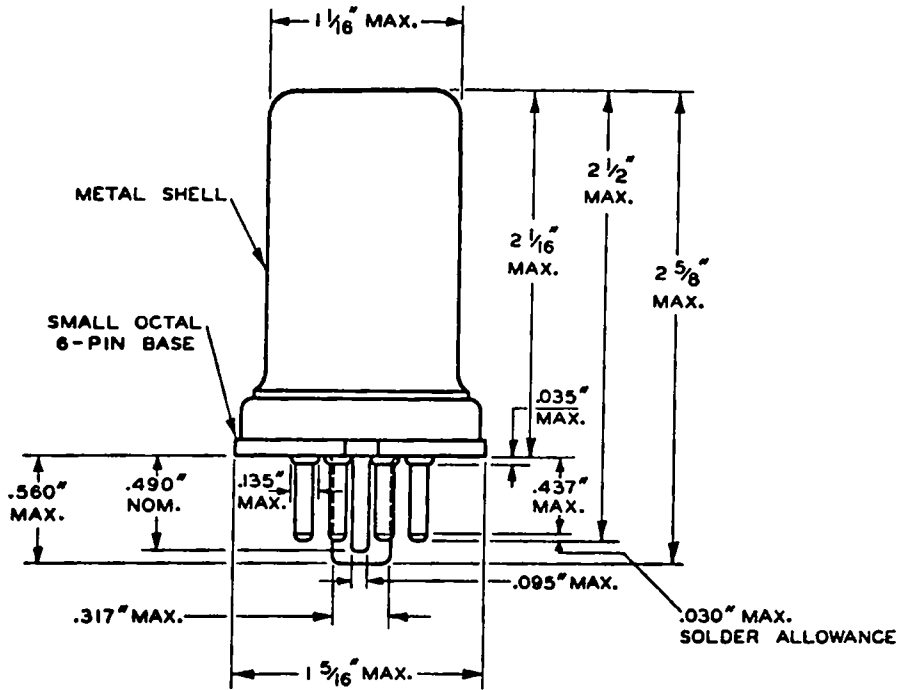
Plate Voltage	250 max.	Volts
Grid Voltage	-8	Volts
Plate Current	9	Milliamperes
Plate Resistance	7700	Ohms
Amplification Factor	20	
Transconductance	2600	Micromhos

# With shell connected to cathode.

from RMA release #118, June 22, 1937

June 11, 1937

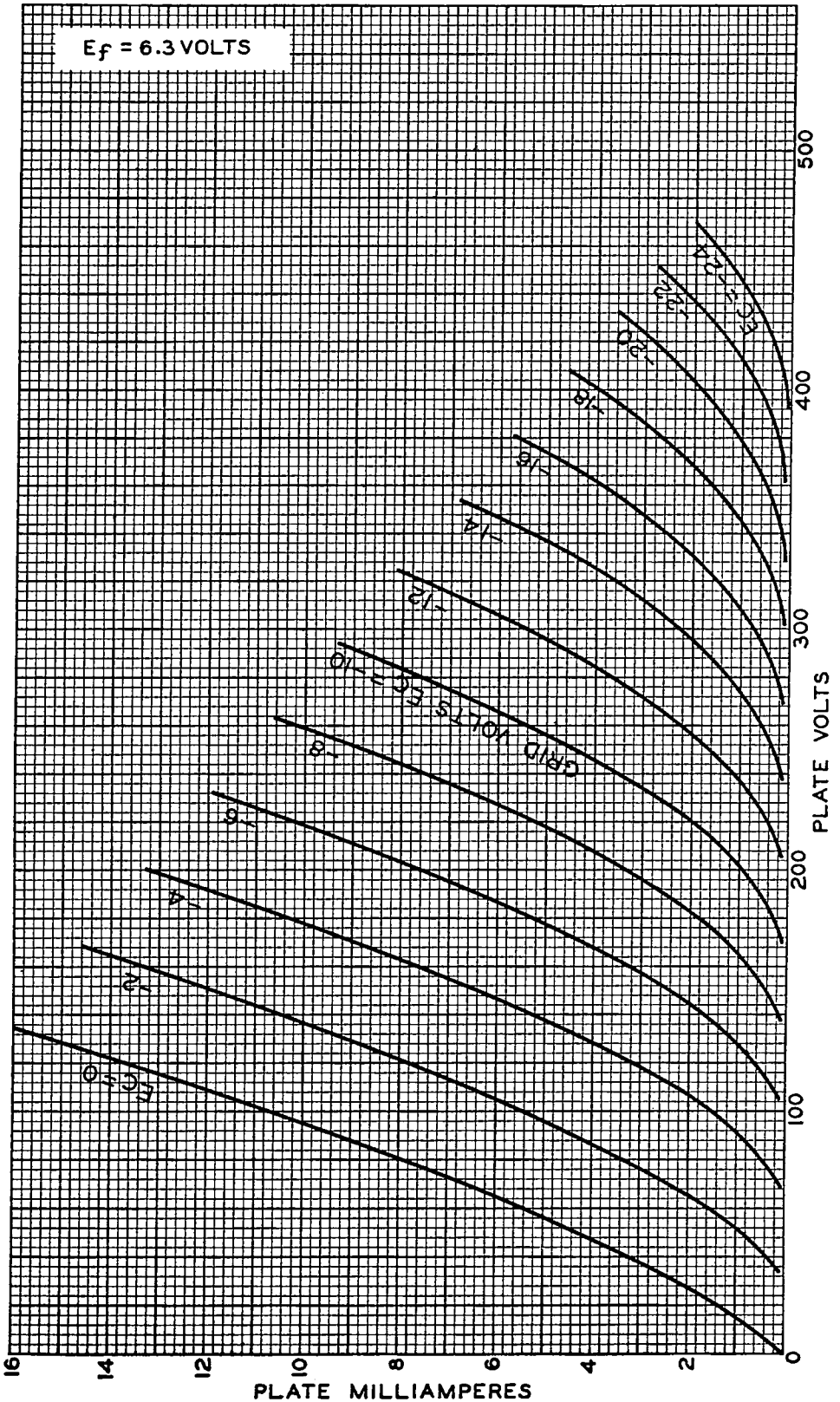
OUTLINE DRAWING



BOTTOM VIEW OF BASE

RCA-6J5

AVERAGE PLATE CHARACTERISTICS



JETEC DATA  
 JOINT ELECTRON TUBE ENGINEERING COUNCIL  
 COMMITTEE ON RECEIVING TUBES

J5-6J5

Page 1

December 15, 1950

## JETEC TYPE 6J5

TRIODEMECHANICAL DATA

Coated unipotential cathode

Outline drawing . . . . .	8-1	Bulb. . . . .	MT-8
Base . . . . .		B6-23 Small wafer octal	6-pin
Maximum diameter . . . . .			1-5/16"
Maximum overall length . . . . .			2-5/8"
Maximum seated height . . . . .			2-1/16"
Pin connections . . . . .			Basing 6Q
Pin 1 - Shell		Pin 5 - Grid	
Pin 2 - Heater		Pin 7 - Heater	
Pin 3 - Plate		Pin 8 - Cathode	

Mounting position . . . . . Any

ELECTRICAL DATADirect interelectrode capacitances\*

Grid to plate (g to p) . . . . .	3.4	μmf
Input: g to (h+k+s) . . . . .	3.4	μmf
Output: p to (h+k+s) . . . . .	3.6	μmf

\*Pin #1 connected to pin #8.

Ratings

Heater voltage (ac or dc) . . . . .	6.3	volts
Maximum heater-cathode voltage . . . . .	90	volts
Maximum plate voltage . . . . .	300	volts
Maximum positive DC grid voltage . . . . .	0	volts
Maximum grid circuit resistance . . . . .	1.0	megohm
Maximum plate dissipation . . . . .	2.5	watts
Maximum cathode current . . . . .	20	ma

Typical operating conditions and characteristics, class A<sub>1</sub> amplifier

Heater voltage . . . . .	6.3	6.3	volts
Heater current . . . . .	300	300	ma
Plate voltage . . . . .	90	250	volts
Grid voltage . . . . .	0	-8	volts
Plate resistance (approx.) . . . . .	6700	7700	ohms
Transconductance . . . . .	3000	2600	μmhos
Plate current . . . . .	10	9.0	ma
Amplification factor . . . . .	20	20	
Grid #1 voltage (approx.) for I <sub>b</sub> = 10 μa . . . . .	-7.0	-18	volts

Refer to "Interpretation of Receiving Tube Ratings"