

June 22, 1949

Westinghouse Electric Corporation
Bloomfield, New Jersey

Type 5846
Reference Cavity

The 5846 is a fixed frequency, transmission type, vacuum sealed, reference cavity for use at 9280 megacycles as a frequency determining reference.

Electrical Data - General

Resonant Frequency	<u>9280</u>	Mc
Loaded Q (Circuit Q for absorption types)	<u>2100</u>	
Insertion Loss at Resonant Frequency	<u>5</u>	db

Mechanical Data - General

Cannot be Pressurized		
Ambient Temperature Range	<u>-40</u> to <u>+100</u>	°C
Net Weight (approximately)	<u>3/4</u>	lb.
Mounting Position	<u>Any</u>	
Outline Drawing Number	<u>60130</u>	

Maximum Ratings

Incident Peak Power	<u>5</u>	Kw
---------------------	----------	----

Electrical and Mechanical Data with Limits

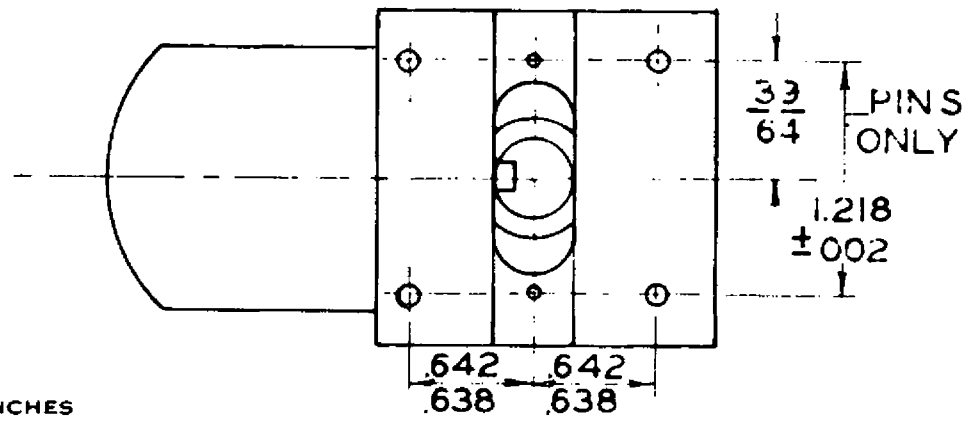
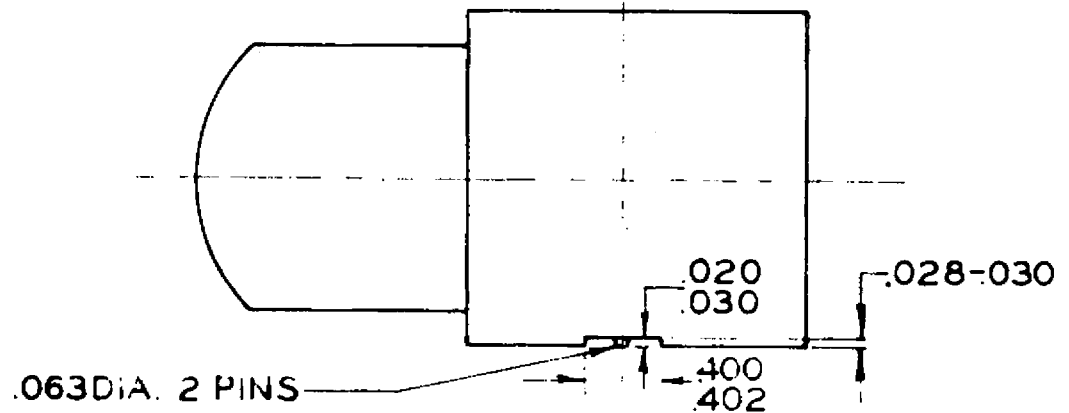
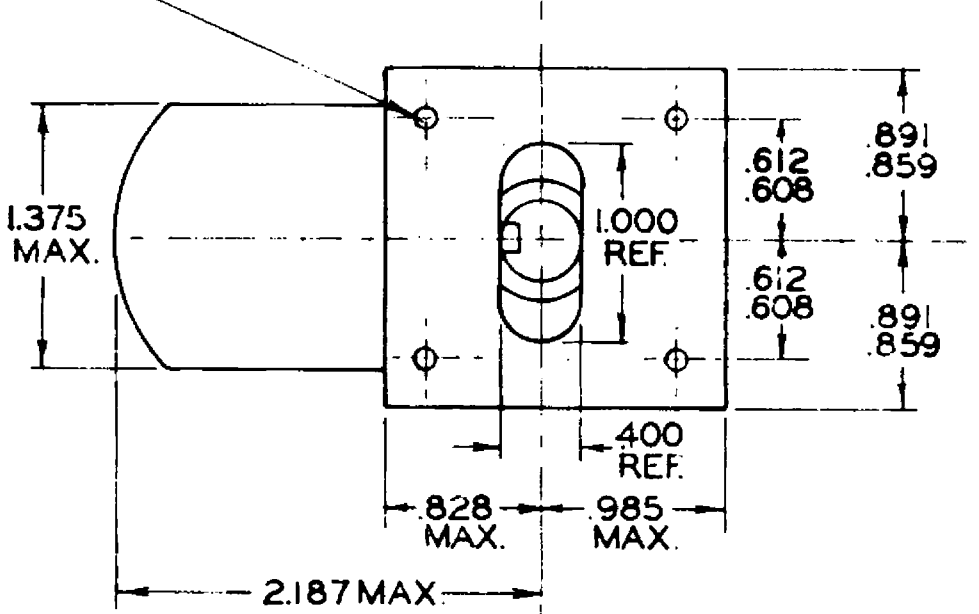
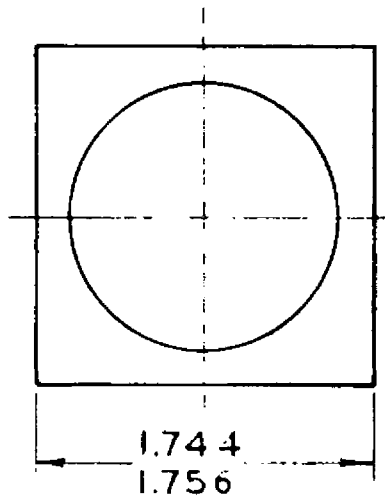
Change in Resonant Frequency with Vibration 10 g	<u>+ .1</u>	Mc max.
Change in Resonant Frequency with Pressure 100 mm to 2 Atmospheres	<u>+ .1</u>	Mc max.
Change in Resonant Frequency with Temperature -40 to +100°C	<u>+ .3</u>	Mc max.
Change in Resonant Frequency due to *Creep	<u>+ .3</u>	Mc max.

*Creep is the small hysteresis change in the length of a metal due to it being taken through heating and cooling cycles.

WESTINGHOUSE ELECTRIC CORPORATION
 LAMP DIVISION
 SPECIFICATIONS AND STANDARDS DEPT

TYPE 5846

8-32 THD. NC-2, 1/4 DEEP,
 4 HOLES BOTH SIDES AS
 SHOWN



ALL DIMS. IN INCHES