

Security Classification: Confidential

Type 2J38
MAGNETRON

GENERAL CHARACTERISTICS

Electrical

Cathode	Coated Unipotential
Filament voltage	6.3 volts
Filament current	1.25 amps
Frequency	3249 - 3263 Mc
Peak anode voltage	4500 volts
Power output at .004 duty cycle and 3 peak amperes	10 watts

Mechanical

Maximum Dimensions - see outline drawing
Base connections - see outline drawing
Mounting position - any

Maximum Ratings

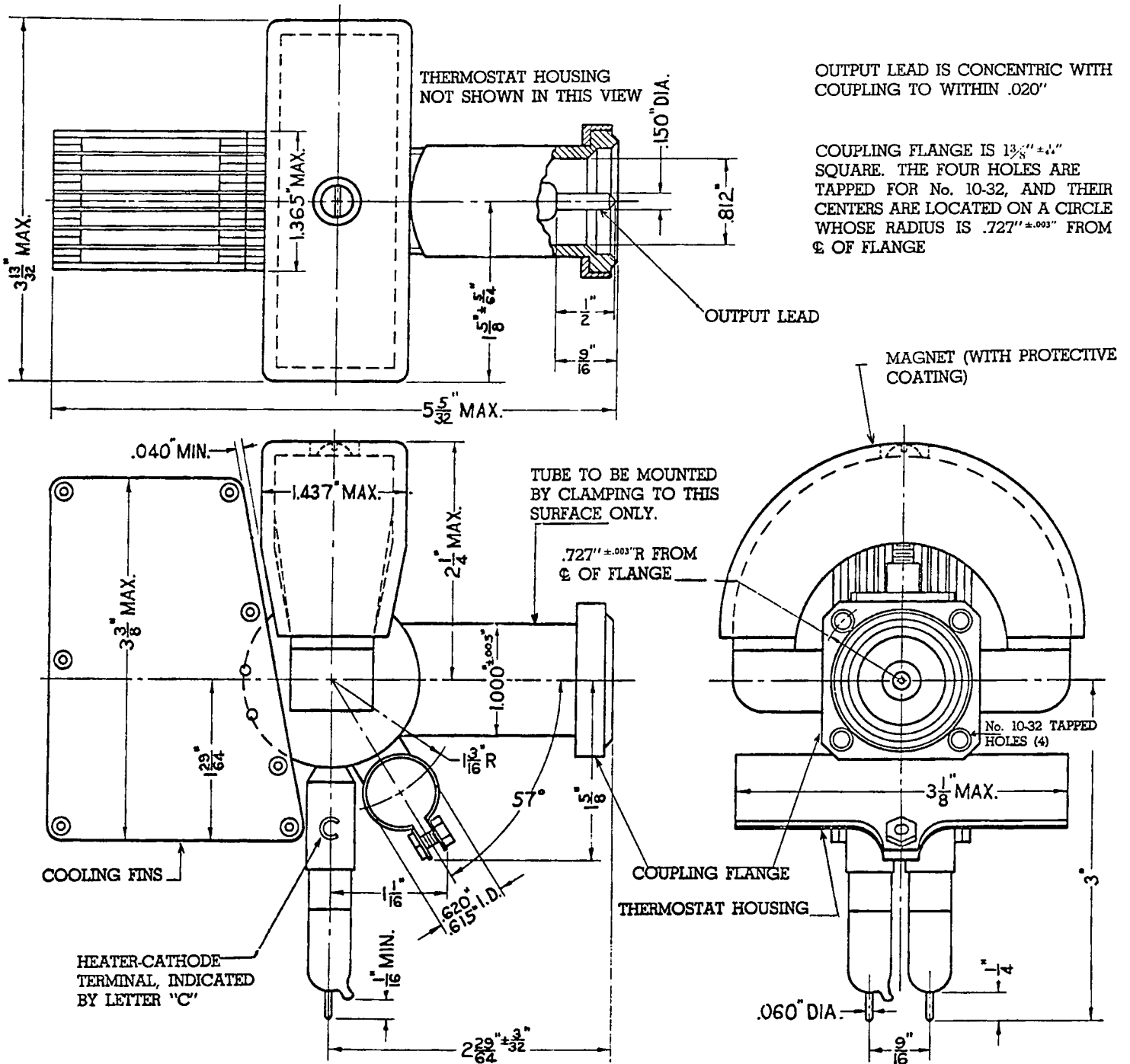
Duty Cycle*	.012
Peak anode voltage	5000 volts
Peak anode current	8 amps
Anode dissipation	160 watts
Anode temperature	100 C degrees

* In any 100 microsecond interval, the tube shall not be operated longer than 5 microseconds.

Sponsor: Raytheon Manufacturing Company - Power Tube Division

from RMA release # 450, Nov. 10, 1945

TECHNICAL INFORMATION MAGNETRON OSCILLATOR OUTLINE DRAWING



RAYTHEON MANUFACTURING COMPANY—POWER TUBE DIVISION