



Excellence in Electronics

TYPE CK5785

The CK5785 is a filament type diode rectifier of subminiature construction designed for use at comparatively high voltages and low currents. It is particularly suitable for use in battery operated power supplies for portable Geiger-Mueller counters. The low filament power and small tube size make the tube desirable where battery and space economy are important. The flexible terminal leads may be soldered or welded directly to the terminals of circuit components without the use of sockets. Standard subminiature sockets may be used by cutting the leads to a suitable length.

MECHANICAL DATA

ENVELOPE: T-2X3 Glass

BASE: None (0.016" tinned flexible leads, Length: 1.5" min. Spacing: Leads 1-6 0.240" center-to-center; Leads 6-7 0.048" center-to-center.)

TERMINAL CONNECTIONS: (Red Dot is adjacent to lead 1)

- Lead 1 Plate
Lead 6 Filament, negative
Lead 7 Filament, positive

MOUNTING POSITION: Any

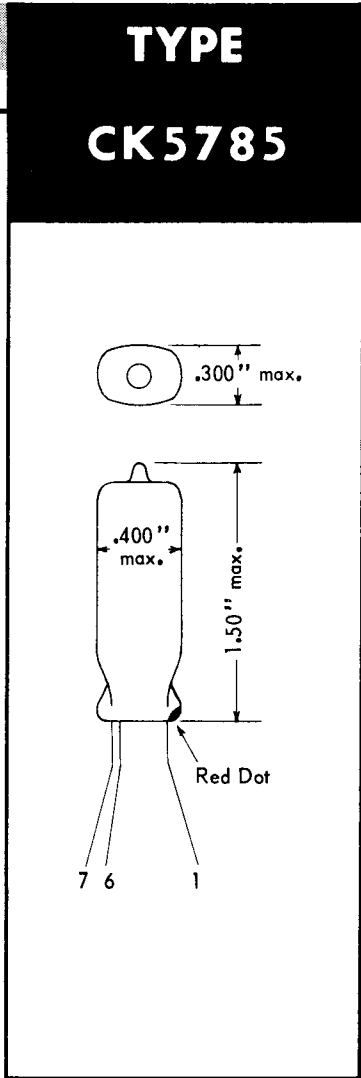
ELECTRICAL DATA

RATINGS - ABSOLUTE MAXIMUM VALUES:

Table with 2 columns: Parameter and Value. Includes Filament Voltage (dc), Peak Inverse Plate Voltage, Average Plate Current, Peak Plate Current (steady state), Maximum Plate Supply Voltage (Peak), Minimum Plate Supply Impedance, and Peak Plate Current (surge).

CHARACTERISTICS AND TYPICAL OPERATION - HALF-WAVE RECTIFIER: ▲

Table with 2 columns: Parameter and Value. Includes Filament Voltage (dc), Filament Current, Plate Supply Voltage (RMS Sinisoidal Wave Form), Plate Supply Impedance, Load Current (dc), Load Condenser, Load Resistor, DC Output Voltage, and Tube Drop (approx.) at 500 μa, 250 μa, and 80 μa.



To avoid damage to the equipment or tube, it is recommended that the plate supply impedance be adjusted to limit forward and surge current to the stated value. Minimum resistance is 1 megohm minus the effective equivalent transformer impedance, but never less than 980,000 ohms dc resistance.

▲ 60 cycle operation.

Tentative Data

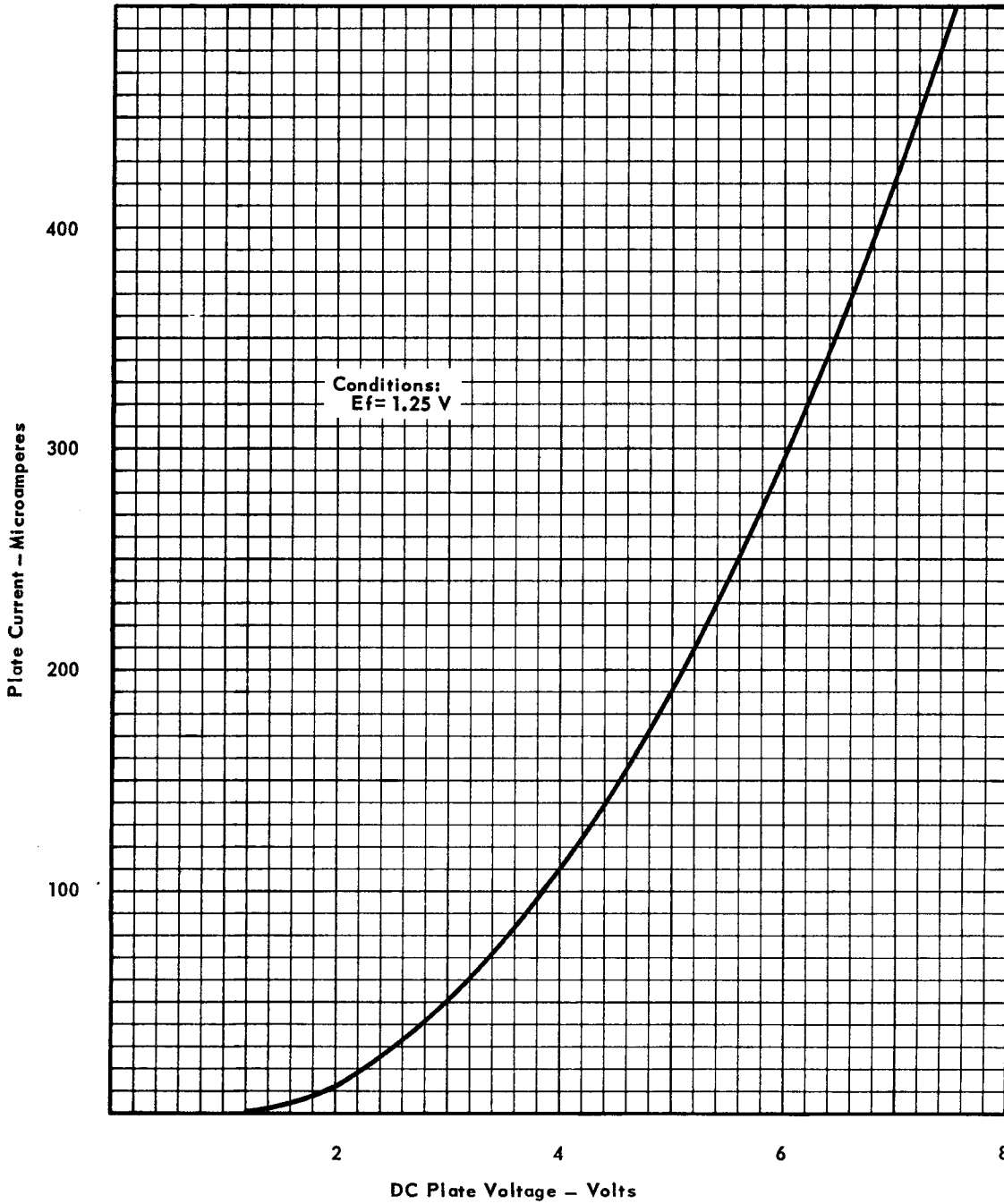
RAYTHEON MANUFACTURING COMPANY

RECEIVING AND CATHODE RAY TUBE OPERATIONS



SUBMINIATURE DIODE

AVERAGE PLATE CHARACTERISTICS



RAYTHEON MANUFACTURING COMPANY

RECEIVING AND CATHODE RAY TUBE OPERATIONS