

TUNG-SOL**CATHODE RAY**

THE 17BVP4 IS A VERY SHORT, DIRECT-VIEW PICTURE TUBE DESIGNED FOR TELEVISION APPLICATIONS. ITS FEATURES INCLUDE:

ALUMINIZED SCREEN	ELECTROSTATIC FOCUS
MAGNETIC DEFLECTION	UNIPOENTIAL CATHODE
GRAY FILTER FACEPLATE	EXTERNAL CONDUCTIVE COATING
14 3/4 X 11 3/4 RASTER SIZE	EXTERNAL SINGLE FIELD ION TRAP
RECTANGULAR GLASS CONSTRUCTION	CONTROLLED HEATER WARM-UP TIME

ELECTRICAL DATA

FOCUSING METHOD		ELECTROSTATIC
DEFLECTING METHOD		MAGNETIC
DEFLECTION ANGLE (APPROX.):		
HORIZONTAL	105	DEGREES
VERTICAL	87	DEGREES
DIAGONAL	110	DEGREES
DIRECT INTERELECTRODE CAPACITANCES (APPROX.):		
CATHODE TO ALL OTHER ELECTRODES	5	$\mu\mu\text{f}$
GRID #1 TO ALL OTHER ELECTRODES	6	$\mu\mu\text{f}$
MAXIMUM EXTERNAL CONDUCTIVE COATING TO ANODE	1500	$\mu\mu\text{f}$
MINIMUM EXTERNAL CONDUCTIVE COATING TO ANODE	1000	$\mu\mu\text{f}$

OPTICAL DATA

PHOSPHOR NUMBER	SULFIDE TYPE	P-4
FLUORESCENT COLOR		WHITE
PHOSPHORESCENT COLOR		WHITE
PERSISTENCE	SHORT TO MEDIUM	
FACEPLATE TRANSMISSION AT CENTER (APPROX.):	79	PERCENT

RATINGS

INTERPRETED ACCORDING TO DESIGN CENTER SYSTEM

HEATER VOLTAGE	6.3	VOLTS
HEATER CURRENT	0.6 $\pm 5\%$	AMP.
MAXIMUM DC ANODE VOLTAGE	17 600	VOLTS
MAXIMUM DC GRID #4 VOLTAGE	-550 TO +1100	VOLTS
MAXIMUM DC GRID #2 VOLTAGE	550	VOLTS
MAXIMUM GRID #1 VOLTAGE:		
DC NEGATIVE-BIAS VALUE	154	VOLTS
DC POSITIVE-BIAS VALUE	0	VOLTS
POSITIVE-PEAK VALUE	2	VOLTS
MAXIMUM DC PEAK HEATER-CATHODE VOLTAGE:		
HEATER NEGATIVE WITH RESPECT TO CATHODE		
DURING WARM-UP PERIOD NOT TO EXCEED 15 SECONDS	450	VOLTS
AFTER EQUIPMENT WARM-UP PERIOD	200	VOLTS
HEATER POSITIVE WITH RESPECT TO CATHODE	200	VOLTS
MAXIMUM GRID #1 CIRCUIT RESISTANCE	1.5	MEG OHMS
HEATER WARM-UP TIME (APPROX.)*	11.0	SECONDS

TYPICAL OPERATING CONDITIONS AND CHARACTERISTICS

DC ANODE VOLTAGE	14 000	VOLTS
DC GRID #4 VOLTAGE	-50 TO +350	VOLTS
DC GRID #2 VOLTAGE	300	VOLTS
DC GRID #1 VOLTAGE ^A	-35 TO -72	VOLTS
DC ION TRAP MAGNET RATED STRENGTH	33	GAUSSSES

^AVISUAL EXTINCTION OF FOCUSED RASTER.

*HEATER WARM-UP TIME IS THE TIME REQUIRED FOR THE VOLTAGE ACROSS THE HEATER TERMINALS TO INCREASE TO 5.0 VOLTS IN THE JETEC TEST CIRCUIT, WITH E=25 VOLTS AND SERIES R=31.5 OHMS.

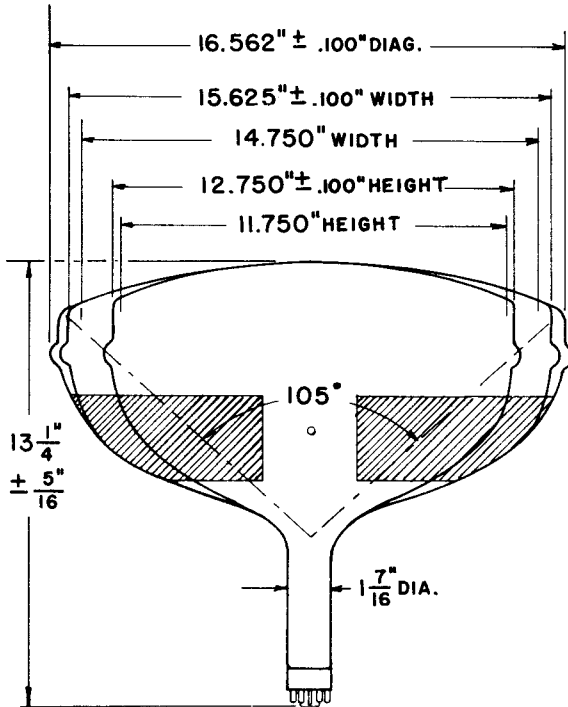
CONTINUED ON FOLLOWING PAGE

TUNG-SOL

CONTINUED FROM PRECEDING PAGE

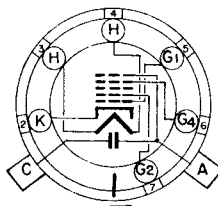
MECHANICAL DATA

OVERALL LENGTH	13 1/4 ± 5/16	INCHES
GREATEST DIMENSIONS OF BULB:		
DIAGONAL	16.562 ± .100	INCHES
WIDTH	15.625 ± .100	INCHES
HEIGHT	12.750 ± .100	INCHES
MIN. USEFUL SCREEN DIMENSIONS:		
DIAGONAL	15.750	INCHES
WIDTH	14.750	INCHES
HEIGHT	11.750	INCHES
BULB CONTACT	RECESSED SMALL CAVITY CAP	J1-21
BASE		86-185
BASING		7FA
BULB CONTACT ALIGNMENT		
J1-21 CONTACT ALIGNS WITH PIN POSITION #7 ± 30 DEGREES		



PIN CONNECTIONS

- PIN 2 - CATHODE
- PIN 3 - HEATER
- PIN 4 - HEATER
- PIN 5 - GRID #1
- PIN 6 - GRID #4
- PIN 7 - GRID #2



ANODE CAP:
GRID NO. 3

BOTTOM VIEW