

TUNG-SOL

CATHODE RAY

THE 16KP4 AND 16KP4A ARE DIRECT-VIEW PICTURE TUBES DESIGNED FOR USE IN TELEVISION APPLICATIONS. THEY ARE IDENTICAL *EXCEPT* FOR THE ALUMINIZED SCREEN ON THE 16KP4A.

UNIPOTENTIAL CATHODE	GREY FILTER FACEPLATE
MAGNETIC FOCUS & DEFLECTION	EXTERNAL CONDUCTIVE COATING
EXTERNAL SINGLE FIELD ION TRAP	RECTANGULAR GLASS CONSTRUCTION
13 1/2" X 10 1/8" RASTER SIZE	

ELECTRICAL DATA

FOCUSING METHOD		MAGNETIC
DEFLECTING METHOD		MAGNETIC
DEFLECTION ANGLE (APPROX.):		
HORIZONTAL	66	DEGREES
DIAGONAL	70	DEGREES
DIRECT INTERELECTRODE CAPACITANCES (APPROX.):		
CATHODE TO ALL OTHER ELECTRODES	5	$\mu\mu\text{f}$
GRID #1 TO ALL OTHER ELECTRODES	6	$\mu\mu\text{f}$
MAXIMUM EXTERNAL CONDUCTIVE COATING TO ANODE	1 500	$\mu\mu\text{f}$
MINIMUM EXTERNAL CONDUCTIVE COATING TO ANODE	750	$\mu\mu\text{f}$

OPTICAL DATA

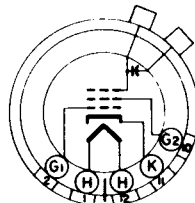
PHOSPHOR NUMBER	SULFIDE TYPE	NO. 4
FLUORESCENT COLOR		WHITE
PHOSPHORESCENT COLOR		WHITE
PERSISTENCE		SHORT
FACEPLATE LIGHT TRANSMISSION AT CENTER (APPROX.)	72	PERCENT

MECHANICAL DATA

OVERALL LENGTH	18 3/4 \pm 3/8	INCHES
GREATEST DIMENSIONS OF BULB:		
DIAGONAL	16 1/8 \pm 1/8	INCHES
WIDTH	14 3/4 \pm 1/8	INCHES
HEIGHT	11 1/2 \pm 1/8	INCHES
MINIMUM USEFUL SCREEN DIMENSIONS:		
DIAGONAL	14 7/8	INCHES
WIDTH	13 1/2	INCHES
HEIGHT	10 1/8	INCHES
BULB CONTACT	RECESSED SMALL CAVITY CAP	J1-21
BASE	SMALL SHELL DUODECAL 5 PIN	85-57
BASING		12N
BULB CONTACT ALIGNMENT		
J1-21 CONTACT ALIGNS WITH PIN POSITION #6 \pm 30 DEGREES		

PIN CONNECTIONS

PIN 1 - HEATER
 PIN 2 - GRID NO. 1
 PIN 10 - GRID NO. 2
 PIN 11 - CATHODE



PIN 12 - HEATER.
 ANODE CAP:
 GRID NO. 3

BOTTOM VIEW

CONTINUED ON FOLLOWING PAGE

TUNG-SOL

CONTINUED FROM PRECEDING PAGE

RATINGS

DESIGN CENTER VALUES

HEATER VOLTAGE	6.3	VOLTS
HEATER CURRENT	0.6	AMP.
MAXIMUM DC ANODE, GRID #3 VOLTAGE ^A	16 000	VOLTS
MAXIMUM DC GRID #2 VOLTAGE	410	VOLTS
MAXIMUM GRID #1 VOLTAGE:		
DC NEGATIVE-BIAS VALUE	125	VOLTS
DC POSITIVE-BIAS VALUE	0	VOLTS
POSITIVE-PEAK VALUE	2	VOLTS
MAXIMUM DC PEAK HEATER-CATHODE VOLTAGE ^B		
HEATER NEGATIVE WITH RESPECT TO CATHODE		
DURING WARM-UP PERIOD NOT TO EXCEED 15 SECONDS	410	VOLTS
AFTER EQUIPMENT WARM-UP PERIOD	150	VOLTS
HEATER POSITIVE WITH RESPECT TO CATHODE	150	VOLTS

^A IF THIS TUBE IS OPERATED AT VOLTAGES IN EXCESS OF 16,000 VOLTS, X-RAY RADIATION SHIELDING MAY BE NECESSARY TO AVERT POSSIBLE DANGER OF INJURY FROM PROLONGED EXPOSURE AT CLOSE RANGE.

^B CATHODE SHOULD BE RETURNED TO ONE SIDE OR TO THE MID-TAP OF THE HEATER TRANSFORMER WINDING.

TYPICAL OPERATING CONDITIONS AND CHARACTERISTICS

DC ANODE, GRID #3 VOLTAGE	12 000	VOLTS
DC GRID #2 VOLTAGE	300	VOLTS
DC GRID #1 VOLTAGE ^C	-33 TO -77	VOLTS
DC FOCUSING COIL CURRENT ^D (APPROX.)	90 ± 20%	MA.
DC ION TRAP CURRENT STANDARD COIL #111 (APPROX.)	75 ± 50%	MA.

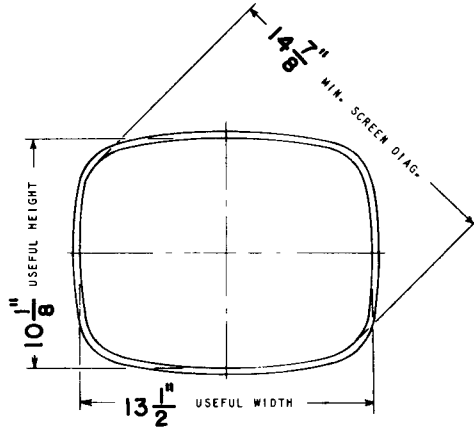
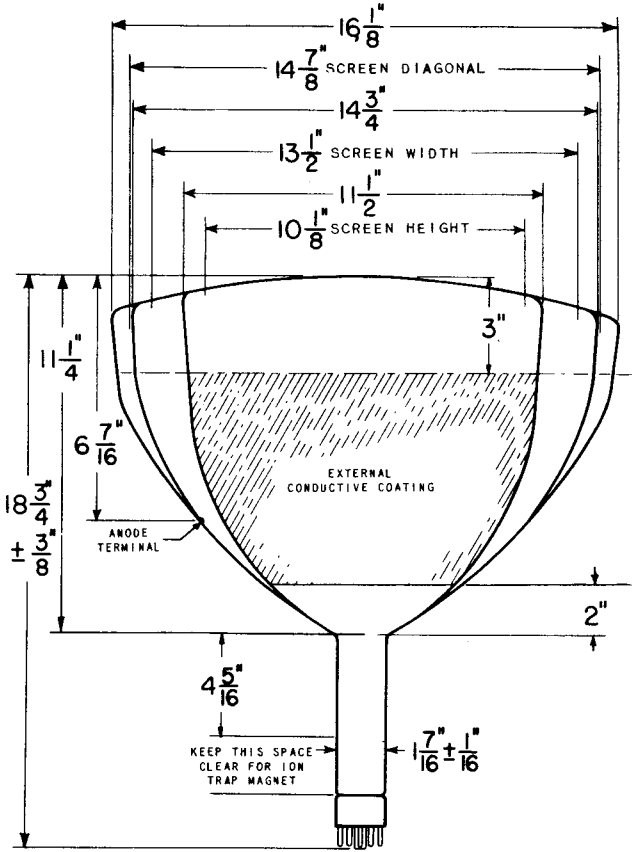
^C VISUAL EXTINCTION OF UNDEFLECTED FOCUSED SPOT.

^D FOR STANDARD FOCUS COIL #109, OR EQUIVALENT, WITH THE COMBINED GRID #1 BIAS VOLTAGE AND VIDEO SIGNAL VOLTAGE ADJUSTED TO PRODUCE A HIGHLIGHT BRIGHTNESS OF 35 FOOT LAMBERTS ON A 10 1/8" BY 13 1/2" PICTURE SIZE. DISTANCE FROM REFERENCE LINE TO CENTER OF AIR GAP ON FOCUS COIL SHALL BE 3.0 INCHES.

CIRCUIT VALUES

MAXIMUM GRID #1 CIRCUIT RESISTANCE	1.5	MEGOHMS
------------------------------------	-----	---------

TUNG-SOL



PRINTED IN U. S. A.