

TUNG-SOL

CATHODE RAY

COATED UNIPOTENTIAL CATHODE

HEATER

6.3 VOLTS 0.6 AMP.

AC OR DC

ANY MOUNTING POSITION

METAL-CONE ENVELOPE

SMALL SHELL DUODECAL 5 PIN BASE

THE 12UP4A IS A METAL-CONE DIRECTLY VIEWED PICTURE TUBE DESIGNED FOR USE IN TELEVISION RECEIVERS. THE TUBE UTILIZES MAGNETIC FOCUS AND DEFLECTION TO PROVIDE 7 3/4" X 10 1/2" PICTURES. IT HAS A GREY NEUTRAL-DENSITY FACEPLATE FOR INCREASED PICTURE CONTRAST AND HIGH AMBIENT LIGHT CONDITIONS AND AN ELECTRON GUN TO BE USED WITH AN EXTERNAL ION-TRAP MAGNET FOR THE PREVENTION OF ION-SPOT BLEMISH.

DESCRIPTION

FLUORESCENCE AND PHOSPHORESCENCE	WHITE
PERSISTENCE	MEDIUM
DEFLECTING AND FOCUSING METHOD	MAGNETIC
DEFLECTION ANGLE (APPROX.)	54 DEGREES
ION TRAP	MAGNETIC
ANODE TERMINAL	METAL-CONE LIP

DIRECT INTERELECTRODE CAPACITANCES - APPROX.

GRID #1 TO ALL OTHER ELECTRODES	6	μuf
CATHODE TO ALL OTHER ELECTRODES	5	μuf

RATINGS

INTERPRETED ACCORDING TO RMA STANDARDS M8-210

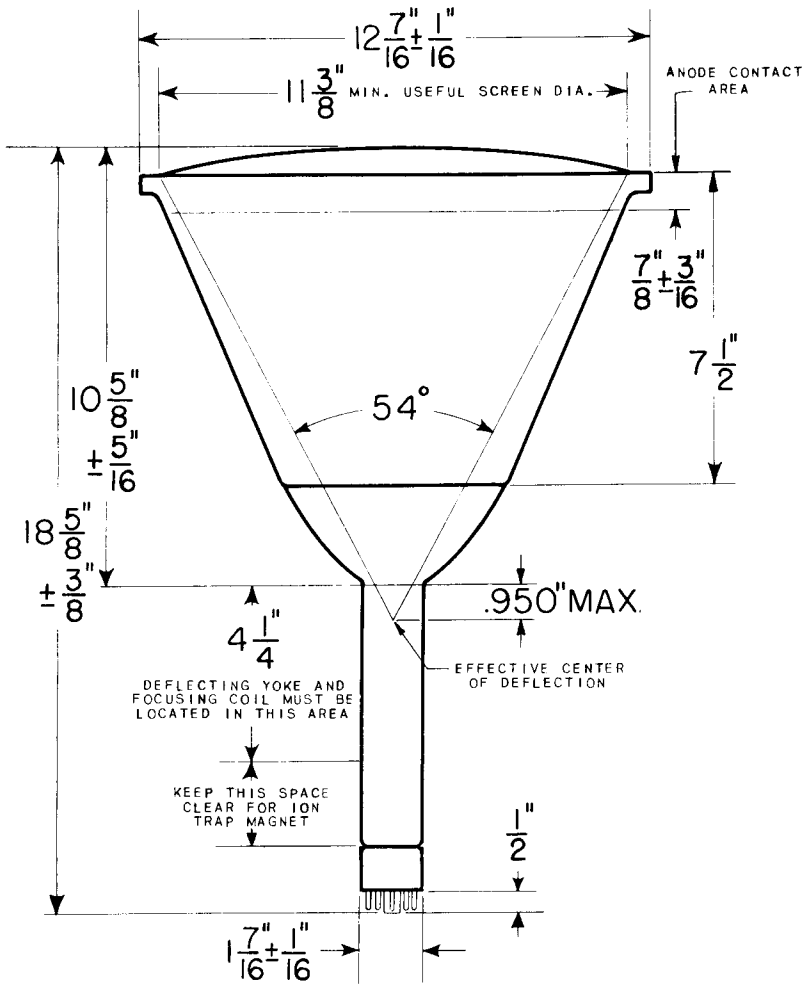
HEATER VOLTAGE	6.3	VOLTS
HEATER CURRENT	0.6	AMP.
MAXIMUM ANODE VOLTAGE	12 000	VOLTS
MAXIMUM GRID #2 VOLTAGE	410	VOLTS
MAXIMUM GRID #1 VOLTAGE:		
NEGATIVE BIAS VOLTAGE	125	VOLTS
POSITIVE BIAS VOLTAGE	0	VOLTS
POSITIVE PEAK VOLTAGE	2	VOLTS
MAXIMUM PEAK HEATER-CATHODE VOLTAGE:		
HEATER NEGATIVE WITH RESPECT TO CATHODE:		
DURING EQUIPMENT WARM-UP PERIOD		
NOT EXCEEDING 15 SECONDS	410	VOLTS
AFTER EQUIPMENT WARM-UP PERIOD	140	VOLTS
HEATER POSITIVE WITH RESPECT TO CATHODE	140	VOLTS
MAXIMUM GRID #1 CIRCUIT RESISTANCE	1.5	MEG OHMS

TYPICAL OPERATING CONDITIONS AND CHARACTERISTICS

ANODE VOLTAGE	11 000	VOLTS
GRID #2 VOLTAGE	250	VOLTS
GRID #1 VOLTAGE (VISUAL EXTINCTION OF UNDEFLECTED FOCUSED SPOT)	-27 TO -65	VOLTS
FOCUSING COIL CURRENT (APPROX.)	110	MA.

SIMILAR TYPE REPLACEMENTS: The 12UP4A is identical to the 12UP4 except for the grey filter faceplate.

TUNG-SOL



- 1. HEATER
 - 2. GRID NO. 1
 - 10. GRID NO. 2
 - 11. CATHODE
 - 12. HEATER
- METAL-CONE LIP: ANODE, GRID NO.3

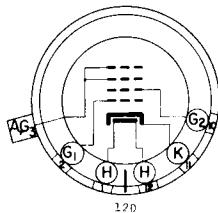


PLATE
2407
MAY 1
1950