



RADAR TUBES

High Resolution 8½in. Rectangular Radar Display Tubes.

FOCUS	Magnetic.
DEFLECTION	Magnetic.
Phosphor	8B/08L2B* 8B/08VB 8B/08ZB
Fluorescence	Orange Yellow Orange
Afterglow	Orange Yellow Orange
Persistence	Long Short Short

Refer to phosphor characteristics at the front of this section of the Handbook.

All types have metal backed screens.

PHYSICAL DETAILS.

Base	812A (Duodecal).
Anode Cap	CT.2 (9.25 mm. dia.).
Max. overall length	588 ± 7 mm.
Neck diameter	35 mm. nominal.

For other dimensions see outline drawing overleaf.

These tubes have an external conductive coating which may be used for E.H.T. smoothing.

BASE CONNECTIONS.

Pin 1—Heater.	Pin 7—Not Connected.
Pin 2—Grid.	Pin 8—No pin.
Pin 3—No pin.	Pin 9—No pin.
Pin 4—No pin.	Pin 10—1st anode.
Pin 5—No pin.	Pin 11—Cathode.
Pin 6—Not connected.	Pin 12—Heater.

Side cap—2nd anode.

HEATER.

Heater Voltage.	6.3 volts.
Heater Current	0.3 amp.

RATINGS.

Max. 1st Anode voltage	600 volts.
Max. 2nd Anode voltage	15.0 kV.
Min. 1st Anode voltage	250 volts.
Min. 2nd Anode voltage	9.0 kV.
Max. V_{h-k}	200 volts.
Max. R_{h-k}	1.0 MΩ
Max. R_{g-k}	1.5 MΩ

CAPACITANCES.

C_{k-all}	< 8.0 pF.
C_{g-all}	< 8.0 pF.

TYPICAL OPERATING CONDITIONS.

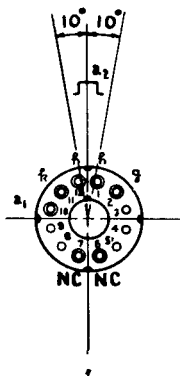
1st Anode voltage	300 volts.
2nd Anode voltage	15.0 kV.
V_g for visual cut off	-30 to -90 volts.
Av. mod. drive for 50 μA. beam current	20 volts.

The position of the centre of the air gap in the focus coil is approximately 70 mm's. from the plane of the modulator face.

8B/08L2B

8B/08VB

8B/08ZB

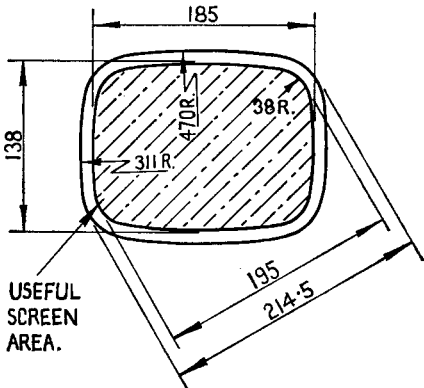
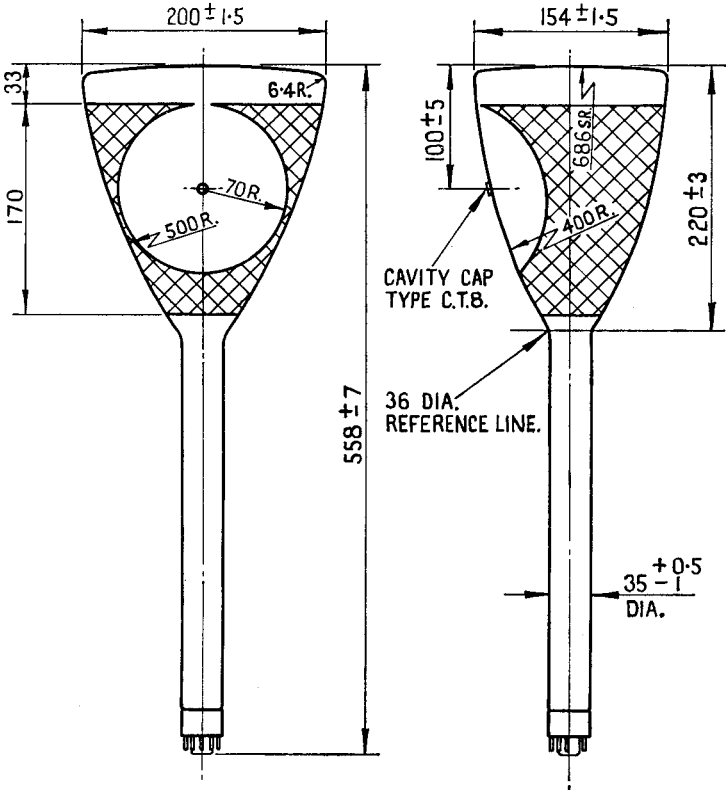


Base Connections
Underside View
of Base



*The screen of this tube is liable to burn if operated with a spot which is stationary or slow moving, even at low values of beam current.

8B/08L2B
8B/08VB
8B/08ZB



Dimensions are in millimetres.