



865

865

SCREEN GRID R-F POWER AMPLIFIER

Filament	Thoriated Tungsten	
Voltage	7.5	a-c or d-c volts
Current	2.0	amp.
Amplification Factor	150 approx.	
Mutual Conductance for plate current of 18 ma.	750	μ hos
Direct Interelectrode Capacitances:		
Grid to Plate	0.10* maximum	μ f
Input	8.5	μ f
Output	8.0	μ f
Maximum Overall Length	5-3/4"	
Maximum Diameter	2-1/16"	
Bulb	ST-16	
Cap	Small Metal	
Base	Medium 4-Pin Bayonet	

MAXIMUM RATINGS and TYPICAL OPERATING CONDITIONSR-F POWER AMPLIFIER - Class B (Telephony)*Carrier conditions per tube for use with a max. modulation fact. of 1.0*

D-C Plate Voltage	750 max.	volts
D-C Screen Voltage	175 max.	volts
D-C Plate Current	30 max.	ma.
R-F Grid Current	4 max.	amp.
Plate Input	22.5 max.	watts
Screen Input	3 max.	watts
Plate Dissipation	15 max.	watts
Typical Operation:		
Filament Voltage	7.5	7.5 a-c volts
D-C Plate Voltage	500	750 volts
D-C Screen Voltage	125	125 volts
D-C Grid Voltage	-30	-30 volts
D-C Plate Current	30	22 ma.
D-C Grid Current	5	3 approx. ma.
Driving Power ^o **	2	1.5 approx. watts
Power Output	3	4.5 approx. watts

^o At crest of a-f cycle with modulation factor of 1.0.PLATE-MODULATED R-F POWER AMPLIFIER - Class C Telephony*Carrier conditions per tube for use with a max. modulation fact. of 1.0*

D-C Plate Voltage	500 max.	volts
D-C Screen Voltage	175 max.	volts
D-C Grid Voltage	-200 max.	volts
D-C Plate Current	30 max.	ma.
D-C Grid Current	15 max.	ma.
R-F Grid Current	4 max.	amp.

* With external shielding.

** See next page.

(continued on next page)



SCREEN GRID R-F POWER AMPLIFIER

(continued from preceding page)

Plate Input		30 max.	watts
Screen Input		2 max.	watts
Plate Dissipation		10 max.	watts
Typical Operation:			
Filament Voltage	7.5	7.5	a-c volts
D-C Plate Voltage	375	500	volts
D-C Screen Voltage	125	125	volts
D-C Grid Voltage	-120	-120	volts
D-C Plate Current	50	40	ma.
D-C Grid Current **	11	9	approx.ma.
Driving Power **	3	2.5	approx.watts
Power Output	8.5	10	approx.watts

R-F POWER AMPLIFIER & OSCILLATOR - Class C Telegraphy

Key-down conditions per tube without modulation #

D-C Plate Voltage		750 max.	volts		
D-C Screen Voltage		175 max.	volts		
D-C Grid Voltage		-200 max.	volts		
D-C Plate Current		60 max.	ma.		
D-C Grid Current		15 max.	ma.		
R-F Grid Current		5 max.	amp.		
Plate Input		45 max.	watts		
Screen Input		3 max.	watts		
Plate Dissipation		15 max.	watts		
Typical Operation:					
Filament Voltage	7.5	7.5	7.5	7.5	a-c volts
D-C Plate Voltage	375	500	625	750	volts
D-C Screen Voltage	125	125	125	125	volts
D-C Grid Voltage	-80	-80	-80	-80	volts
D-C Plate Current	55	50	45	40	ma.
D-C Grid Current **	11	9	6	5.5	approx.ma.
Driving Power **	2.5	2.0	1.2	1.0	approx.watts
Power Output	8.5	10	14	16	approx.watts

** Subject to wide variations as explained on sheet TRANS. TUBE RATINGS.

Modulation essentially negative may be used if the positive peak of the audio-frequency envelope does not exceed 115% of the carrier conditions.

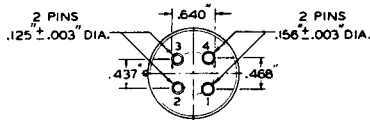
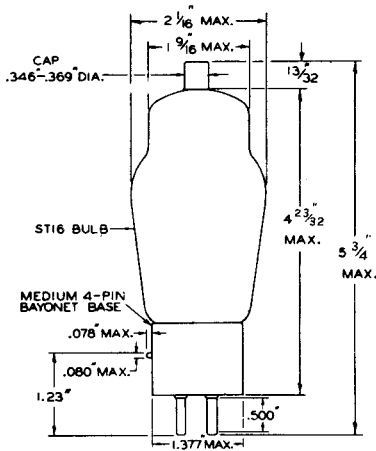
For use of the 865 at the higher frequencies, refer to sheet TRANS. TUBE RATINGS vs. FREQUENCY.



865

865

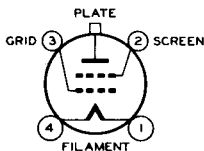
SCREEN GRID R-F POWER AMPLIFIER



BOTTOM VIEW OF BASE

925-4272R3

TUBE SYMBOL & TOP VIEW
OF
SOCKET CONNECTIONS

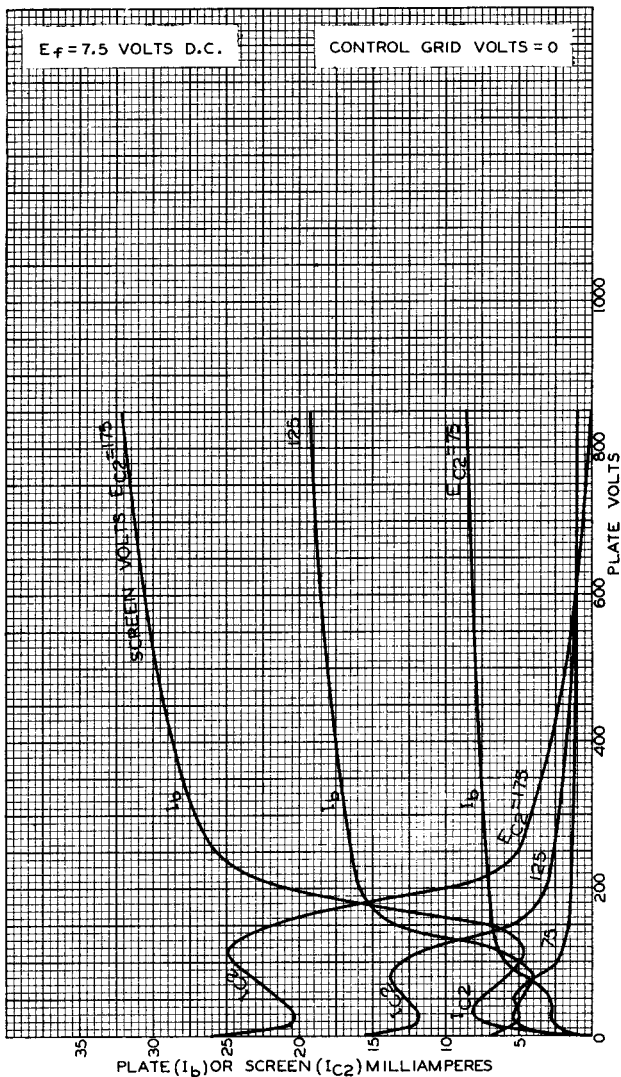


865



865

AVERAGE PLATE CHARACTERISTICS



MAY 10, 1935

RCA RADOTRON DIVISION
RCA MANUFACTURING COMPANY, INC.

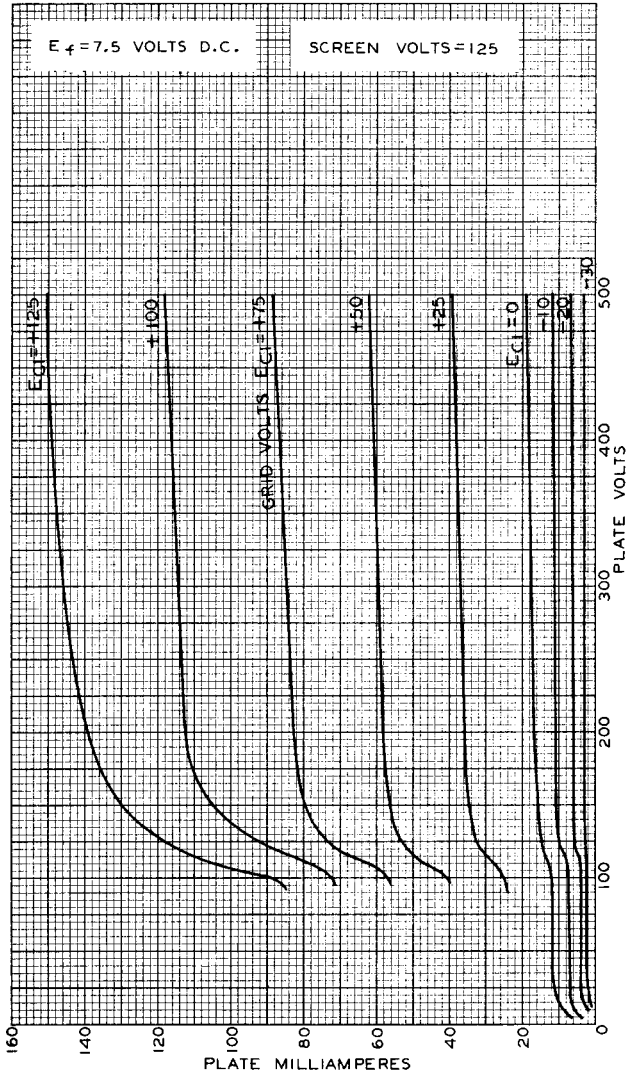
925-5498RI



865

865

AVERAGE PLATE CHARACTERISTICS



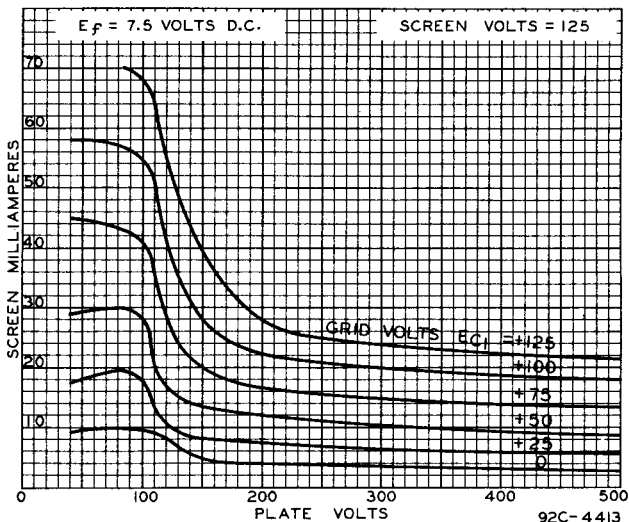
MAY 10, 1935

RCA RADIIOTRON DIVISION
RCA MANUFACTURING COMPANY, INC.

92C-4412



AVERAGE CHARACTERISTICS



AVERAGE CHARACTERISTICS

