

Super-Power Beam Power Tube

2-MW SHORT-PULSE POWER, 275-kW LONG-PULSE POWER

PULSE LENGTH
TO 2500 MICROSECONDS

LOW FILAMENT POWER
FOR AIRBORNE USE

WATER COOLED

For RF-Pulse Power Amplifier at Frequencies from 195 to 600 MHz
in Search Radar, Telemetry, and Particle Accelerator Service.

ELECTRICAL

Filamentary Cathode, Multistrand,
Matrix-Type, Oxide-Coated—

Voltage: a, j

Maximum, with dc or 60-Hz ac excitation	1.00	V
Maximum, with 400-Hz ac excitation	1.05	V
Typical, with dc or 60-Hz ac excitation	0.95	V

Current:

Typical operation value at 0.95 volt, with 60-Hz excitation	495	A
Minimum time to reach operating filament voltage	30	s
Minimum time at normal operating filament voltage before other voltages are applied	90	s

Mu-Factor, Grid No.2 to Grid No.1 7

Direct Interelectrode Capacitances

Grid No.1 to plate	0.15 max	pF
Grid No.1 to grid No.2 and cathode	500	pF
Plate to cathode and grid No.2	30	pF
Grid No.2 to cathode (including bypass capacitors)	18000 max	pF

MECHANICAL

Operating Position	Tube axis vertical, either end up
Overall Length	8.62 ± 0.31 in
Maximum Diameter	11.25 in
Weight (Approx.)	38 lb
Terminal Connections	See Dimensional Outline

THERMAL^{k,m}

Ceramic-Insulator Temperature	150 max	°C
Metal-Surface Temperature	100 max	°C
Minimum Storage Temperature ^k	-65 min	°C
Water Flow		

	Absolute		Max. Pressure
	Typ. Flow	Min. Flow	Differential for Typ. Flow ^b
	g/m	g/m	psi
Through filament block	1.2	0.8	18
Through dc cathode block	1.2	0.8	18
Through grid-No.1 block	1.2	0.8	14
Through grid-No.2 block	1.2	0.8	18

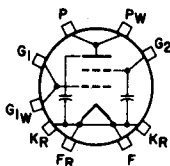


Water Flow (cont'd)

	Typ. Flow g/m	Absolute Min. Flow g/m	Max. Pressure Differential for Typ. Flow ^b psi
Through plate:			
For plated dissipations up to 10 kW (Average) . . .	14	12	30
For plate dissipations of 10 kW to 30 kW (Average). . .	22	20	60
Resistivity of water at 25°C			1 min MΩ-cm
Water Temperature from any outlet.			70 max °C
External Gas Pressure ^c			60 max psi
Water Pressure at an Inlet			100 max psi

TERMINAL DIAGRAM (Bottom View)

- F - Insulated Filament Terminal and Coolant Connection
- FR - Uninsulated Filament Terminal for DC Circuit Returns and Coolant Connection
- G1 - RF Grid-No.1 Terminal Contact Surface
- G1W - DC Grid-No.1 and Coolant Connection
- G2 - DC Grid-No.2 and Coolant Connection
- KR - RF Cathode Terminal Contact Surface for Circuit Returns
- P - RF Plate Terminal Contact Surface
- PW - DC Plate and Coolant Connection



PULSED RF AMPLIFIER[†]

For frequencies from 195 to 600 MHz and a maximum "ON" time as specified in any 25000-microsecond interval

Absolute-Maximum Ratings

	"ON" time	15 μs	2500 μs
Peak Positive-Pulse Plate Voltage ^d		55	- kV
DC Plate Voltage ^e		25	25 kV
Peak Positive-Pulse Grid-No.2 Voltage ^{f, g}		2.2	2.2 kV
DC or Peak Negative-Pulse Grid-No.1 Voltage.		400	400 V
Peak Plate Current		80	30 A
Peak Grid-No.2 Current		15	2 A
Peak Rectified Grid-No.1 Current		15	2 A
DC Plate Current		0.32	2.5 A
DC Grid-No.2 Current		0.06	0.2 A
DC Grid-No.1 Current		0.06	0.2 A



Absolute-Maximum Ratings (cont'd)

	"ON" time	15 μ s	2500 μ s
Plate Input (Average)		16	70 kW
Plate Dissipation (Average)		8	30 kW

Typical Plate-Pulsed Operation

In Class B service at 425 MHz with a rectangular waveshape pulse of 13 microseconds and a duty factor of 0.004

Peak Positive-Pulse Plate Voltage ^d	50	kV
Peak Positive Pulse Grid-No.2 Voltage ^f	2.1	kV
Peak Negative-Pulse Grid-No.1 Voltage ^h	325	V
Peak Plate Current	75	A
Peak Grid-No.2 Current	8	A
Peak Rectified Grid-No.1 Current	10	A
DC Plate Current	0.3	A
DC Grid-No.2 Current	0.03	A
DC Grid-No.1 Current	0.04	A
Peak Driver Power Output (Approx.)	20	kW
Useful Peak Power Output	2	MW

Typical Grid-Pulsed Operation

In Class B service at the frequencies shown with a rectangular waveshape pulse of 2000 microseconds and a duty factor of 0.06

	At 425 Hz	At 600 Hz
DC Plate Voltage ^e	20	21 kV
Peak Positive-Pulse Grid-No.2 Voltage ^f	2	2 kV
Peak Negative-Pulse Grid-No.1 Voltage ^h	350	350 V
Peak Plate Current	27	26 A
Peak Grid-No.2 Current	1.6	1.6 A
Peak Rectified Grid-No.1 Current	1.2	1.2 A
DC Plate Current	1.62	1.56 A
DC Grid-No.2 Current	0.096	0.096 A
DC Grid-No.1 Current	0.072	0.072 A
Peak Driver Power Output (Approx.)	2.7	2.7 kW
Useful Peak Power Output	275	250 kW

Maximum Circuit Value

Grid-No.1 Circuit Resistance	500 Ω
--	--------------

^a Because the filament voltage, when operated near the maximum value, provides emission in excess of any requirements within tube ratings, during life the filament voltage should be reduced to a value that will give adequate but not excessive emission. Careful attention to maintaining the value consistent with adequate emission will result in conserving the life of the tube. The filament voltage should be measured at the respective liquid coolant connections on the tube side of the threads. This procedure is essential for accurate measurement of the filament voltage. At 400 cycles some heating of the filament leads and rf cathode terminal (cathode heater) occurs; this condition is not detrimental to tube operation or tube life.

^b Measured directly across cooled element for the indicated typical flow.

^c This pressure is related to the output-cavity pressurization as required to prevent corona or external arc-over.

^d The magnitude of any spike on the plate voltage pulse should not exceed its peak value by more than 4000 volts, and the duration of any spike when measured at the peak-value level should not exceed 10% of the maximum "ON" time. The output cavity must be pressurized as required to prevent corona or external arc-over at the ceramic insulator.

^e High speed "fault" protection must be used with all grid-pulsed applications and with all plate-pulsed applications where the pulse length exceeds 20 microseconds.



f The magnitude of any spike on the grid-No.2 voltage pulse should not exceed its peak value by more than 250 volts, and the duration of any spike when measured at the peak-value level should not exceed 10% of the maximum "ON" time.

g A negative dc voltage of 300 volts maximum may be applied to grid No.2 to prevent any tube conduction between pulses.

h The grid-No.1 voltage may be a combination of fixed and self bias obtained from a series grid resistor.

The following footnotes apply to the *RCA Transmitting Tube Operating Considerations* given at front of this section.

j See *Electrical Considerations - Filament or Heater*

k See *Cooling Considerations - Liquid Cooling*

m See *Cooling Considerations - Forced-Air Cooling*

n See *Classes of Service*.

CHARACTERISTICS RANGE VALUES

	Note	Min	Max	
Filament Current	1	460	530	A
Input Strap-Resonant Frequency . . .	-	230	250	MHz
Output Strap-Resonant Frequency . . .	-	240	260	MHz
Direct Interelectrode Capacitances				
Grid No.1 to plate	2	-	0.15	pF
Grid No.2 to cathode	-	12000	18000	pF

Note 1: At filament voltage of 0.95 volt and ac filament excitation at 60 Hz.

Note 2: Measured with special shield adapter.

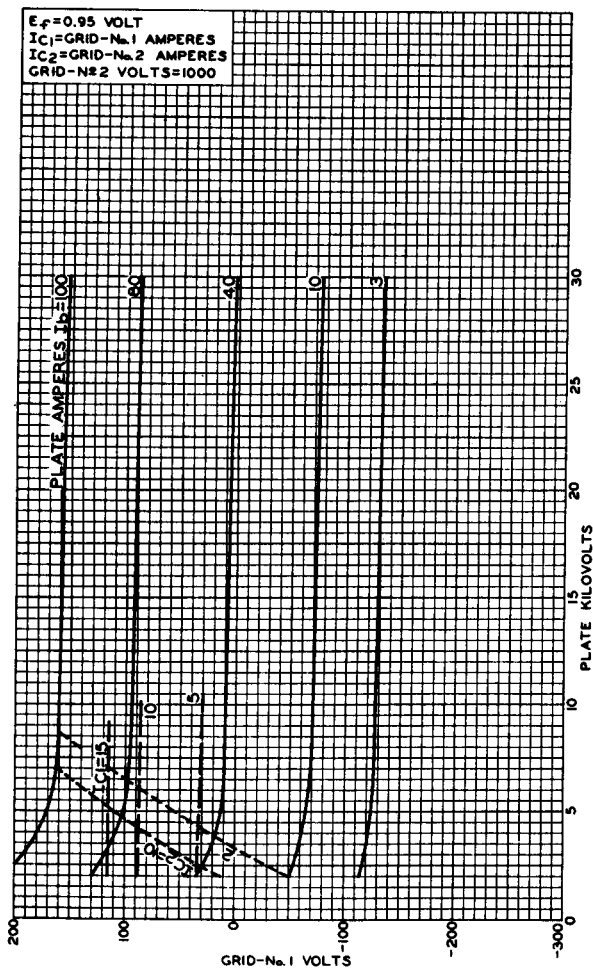
FOR ADDITIONAL INFORMATION ON THIS TYPE, WRITE FOR TECHNICAL BULLETIN AND APPLICATION GUIDE FOR RCA SUPER POWER TUBES, 1CE-279A AVAILABLE FROM:

Commercial Engineering
Electronic Components and Devices
Radio Corporation of America
Harrison, New Jersey



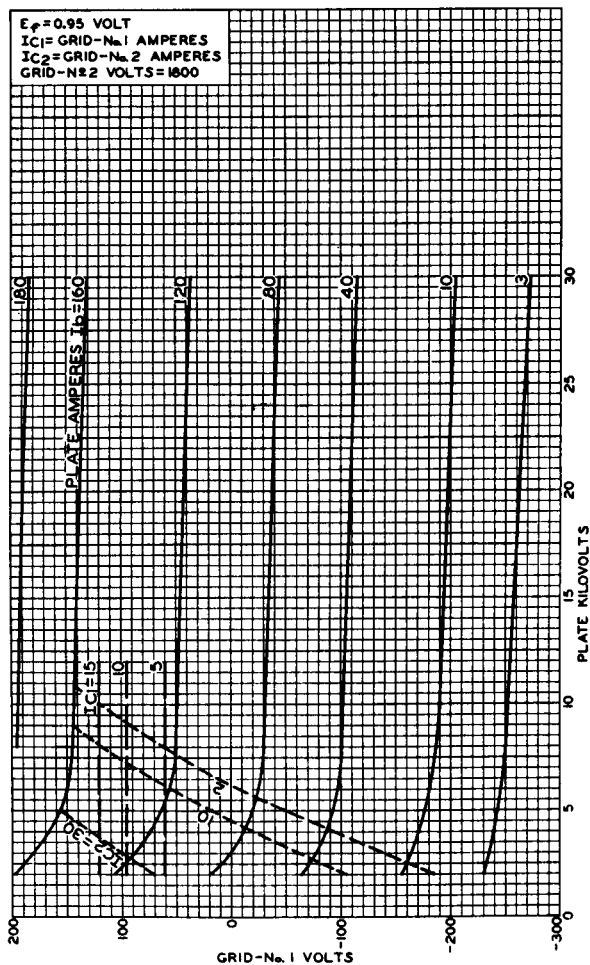
Typical Constant-Current Characteristics

FOR GRID-No.2 VOLTAGE = 1000 VOLTS



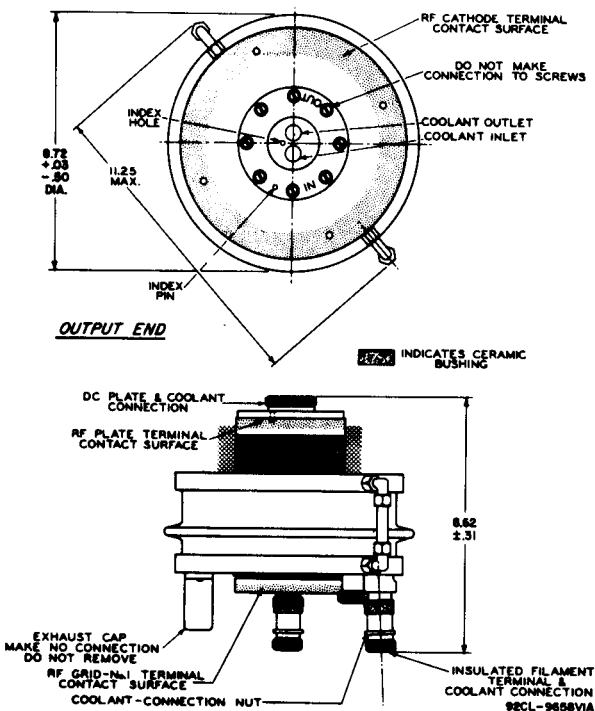
Typical Constant-Current Characteristics

FOR GRID-No.2 VOLTAGE = 1800 VOLTS



92CM-9653

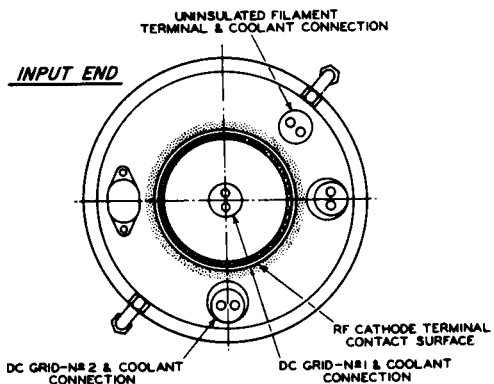


SIMPLIFIED DIMENSIONAL OUTLINE⁹

DIMENSIONS IN INCHES

⁹ A detailed Dimensional Outline and associated Gauge Drawings are given in the Technical Bulletin available upon request.



UNINSULATED FILAMENT
TERMINAL & COOLANT CONNECTION

92CL-9658V1B

