



12LP4

# 12LP4 KINESCOPE

MAGNETIC FOCUS                      MAGNETIC DEFLECTION

### DATA

#### General:

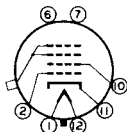
Heater, for Unipotential Cathode:		
Voltage . . . . .	6.3	ac or dc volts
Current . . . . .	0.6	amp
Direct Interelectrode Capacitances (Approx.):		
Grid No.1 to All Other Electrodes . . . . .	6	$\mu\mu\text{f}$
Cathode to All Other Electrodes . . . . .	5	$\mu\mu\text{f}$
External Conductive Coating to Anode . . . . .	{ 3000 max. 750 min.	$\mu\mu\text{f}$ $\mu\mu\text{f}$
Phosphor (For Curves, see front of this Section) . . . . .	No.4	
Fluorescence . . . . .	White	
Phosphorescence . . . . .	White	
Persistence . . . . .	Medium	
Focusing Method . . . . .	Magnetic	
Deflection Method . . . . .	Magnetic	
Deflection Angle (Approx.) . . . . .	57°	
Ion-Trap Gun . . . . .	Requires External Double-Field Magnet	
Overall Length . . . . .	18-3/4 ± 3/8"	
Greatest Diameter of Bulb . . . . .	12-7/16 ± 1/8"	
Screen Diameter . . . . .	11-3/8"	
Raster Size (Approx.) . . . . .	7-1/2" x 10"	
Mounting Position . . . . .	Any	
Cap. . . . .	Recessed Small Cavity	
Base . . . . .	Small-Shell Duodecal 7-Pin	
Basing Designation for BOTTOM VIEW . . . . .	12D	

Pin 1-Heater

Pin 2-Grid No.1

Pin 6-No Connection

Pin 7-No Connection



Pin 10-Grid No.2

Pin 11-Cathode

Pin 12-Heater

Cap -Anode,  
Grid No.3

#### Maximum Ratings, Design-Center Values:

ANODE VOLTAGE <sup>■</sup> . . . . .	12000 max.	volts
GRID-No.2 VOLTAGE . . . . .	410 max.	volts
GRID-No.1 (CONTROL ELECTRODE) VOLTAGE:		
Negative bias value . . . . .	125 max.	volts
Positive bias value . . . . .	0 max.	volts
Positive peak value . . . . .	2 max.	volts
PEAK HEATER-CATHODE VOLTAGE:		
Heater negative with respect to cathode:		
During equipment warm-up period not		
exceeding 15 seconds . . . . .	410 max.	volts
After equipment warm-up period . . . . .	150 max.	volts
Heater positive with respect to cathode . . . . .	150 max.	volts

■ Anode and grid No.3, which are connected together within tube, are re-referred to herein as anode.

12LP4



# 12LP4 KINESCOPE

## Typical Operation:

Anode Voltage* . . . . .	9000	11000	volts
Grid-No.2 Voltage. . . . .	250	250	volts
Grid-No.1 Voltage for Visual Extinction of Undelected Focused Spot . . . . .	-27 to -63	-27 to -63	volts
Focusing-Coil Current (DC, Approx.)**.	115	125	ma
Ion-Trap Magnet Current (DC)#.	155	180	ma

## Maximum Circuit Values:

Grid-No.1 -Circuit Resistance. . . . . 1.5 max. megohms

## Minimum Circuit Values:

The power supply should be of the limited-energy type with inherent regulation to limit the continuous short-circuit current to 5 milliamperes. If the supply permits the instantaneous short-circuit current to exceed 1 ampere, or is capable of storing more than 250 microcoulombs, the effective resistance in circuit between indicated electrode and the output capacitor should be as follows:

Grid-No.1 -Circuit Resistance. . . . .	150 min.	ohms
Grid-No.2 -Circuit Resistance. . . . .	470 min.	ohms
Anode-Circuit Resistance . . . . .	15000 min.	ohms

The resistors should be capable of withstanding the applied voltages.

\* Brilliance and definition decrease with decreasing anode voltage. In general, the anode voltage should not be less than 9000 volts.

\*\* For JETEC Focusing Coil No.106, or equivalent, positioned with center line of air gap approximately 3-1/4" from Reference Line (See Outline Drawing). The indicated currents are for the condition with the combined grid-No.1 bias voltage and video-signal voltage adjusted to produce a highlight brightness of 25 foot-lamberts for 9000 volts, or 30 foot-lamberts for 11000 volts, on a 7-1/2" x 10" picture area.

# For JETEC Ion-Trap Magnet No.108, or equivalent, located with main pole pieces longitudinally opposite internal pole pieces, and rotated to give good line focus with maximum brightness.

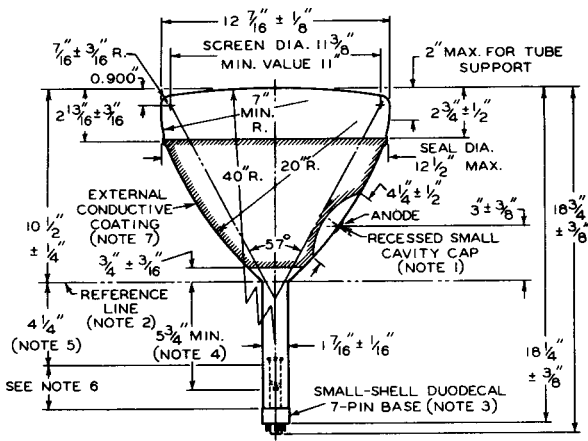
## CURVES

The following Grid-Drive Characteristics Curves are for the condition with grid No.1 biased to give visual extinction of the undeflected, focused spot. In viewing television pictures, it will be found that the actual cutoff voltage corresponding to black in the picture is approximately 5 volts less negative than shown on the curves; similarly, the grid-No.1 drive to obtain a given anode current or light output is also about 5 volts less negative.



# 12LP4 KINESCOPE

12LP4



**NOTE 1:** THE PLANE THROUGH THE TUBE AXIS AND VACANT PIN POSITION No.3 MAY VARY FROM THE PLANE THROUGH THE TUBE AXIS AND ANODE TERMINAL BY AN ANGULAR TOLERANCE (MEASURED ABOUT THE TUBE AXIS) OF  $10^{\circ}$ . ANODE TERMINAL IS ON SAME SIDE AS VACANT PIN POSITION No.3.

**NOTE 2:** REFERENCE LINE IS DETERMINED BY POSITION WHERE HINGED GAUGE  $1.500" + .003" - .000"$  I.D. AND 2" LONG WILL REST ON BULB CONE.

**NOTE 3:** SOCKET FOR THIS BASE SHOULD NOT BE RIGIDLY MOUNTED; IT SHOULD HAVE FLEXIBLE LEADS AND BE ALLOWED TO MOVE FREELY. BOTTOM CIRCUMFERENCE OF BASE SHELL WILL FALL WITHIN CIRCLE CONCENTRIC WITH BULB AXIS AND HAVING DIAMETER OF  $1 \frac{7}{8}$ ".

**NOTE 4:** DISTANCE OF INTERNAL POLE PIECES. PLANE THROUGH PIN No.6 AND TUBE AXIS PASSES THROUGH LINE JOINING CENTERS OF POLE PIECES. DIRECTION OF PRINCIPAL FIELD OF ION-TRAP MAGNET SHOULD BE SUCH THAT NORTH POLE IS ADJACENT TO PIN No.6 AND SOUTH POLE TO PIN No.12.

**NOTE 5:** LOCATION OF DEFLECTING YOKE AND FOCUSING-COIL MUST BE WITHIN THIS SPACE.

**NOTE 6:** KEEP THIS SPACE CLEAR FOR ION-TRAP MAGNET.

**NOTE 7:** EXTERNAL CONDUCTIVE COATING MUST BE GROUNDING.

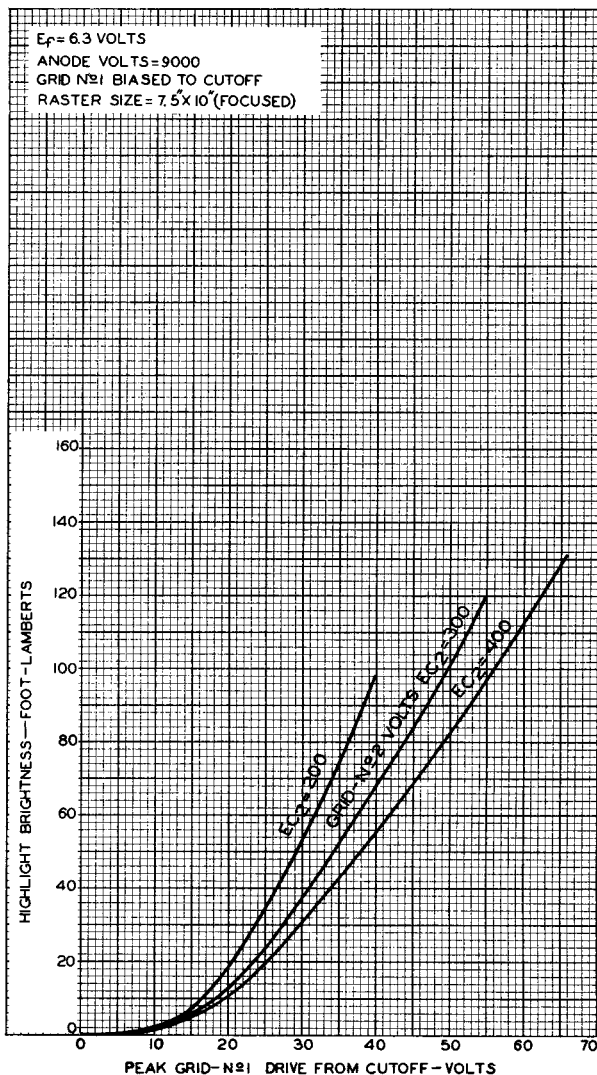
92CM-7276

12LP4



12LP4

## AVERAGE GRID-DRIVE CHARACTERISTICS



JUNE 28, 1949

TUBE DEPARTMENT

92CM-7309

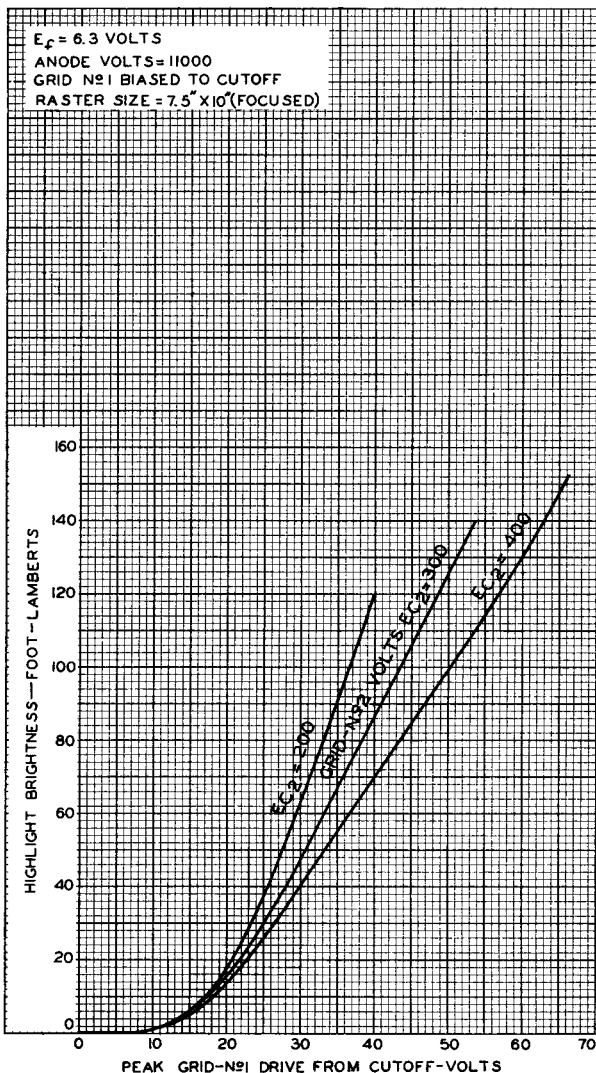
RADIO CORPORATION OF AMERICA, HARRISON, NEW JERSEY



12LP4

12LP4

### AVERAGE GRID-DRIVE CHARACTERISTICS



JUNE 30, 1949

TUBE DEPARTMENT  
RADIO CORPORATION OF AMERICA, HARRISON, NEW JERSEY

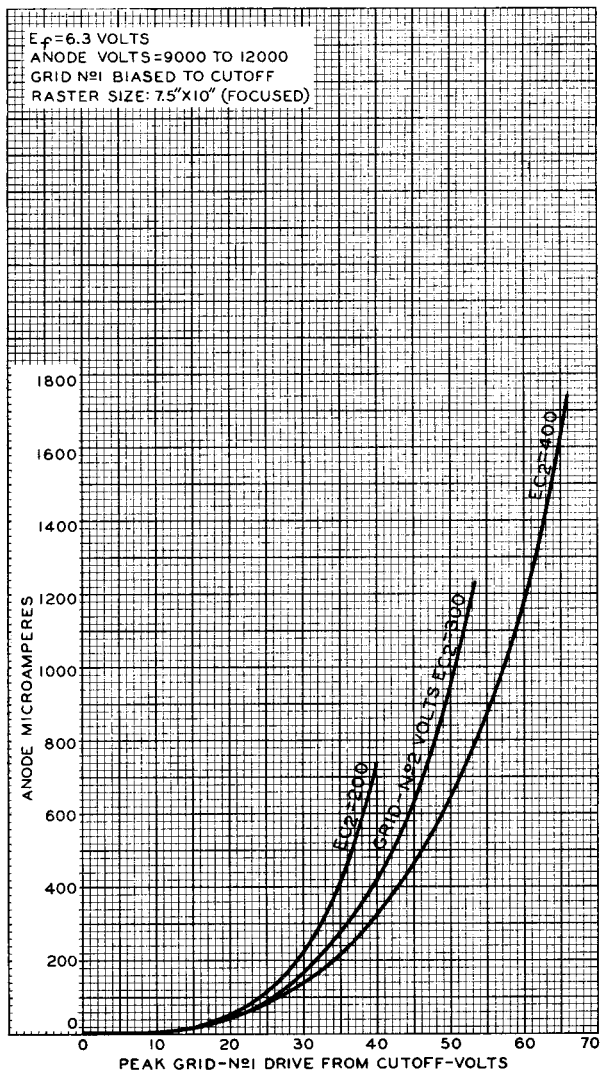
92CM - 7310

12LP4



12LP4

## AVERAGE GRID-DRIVE CHARACTERISTICS



JUNE 23, 1949

 TUBE DEPARTMENT  
 RADIO CORPORATION OF AMERICA, HARRISON, NEW JERSEY

92CM-7306