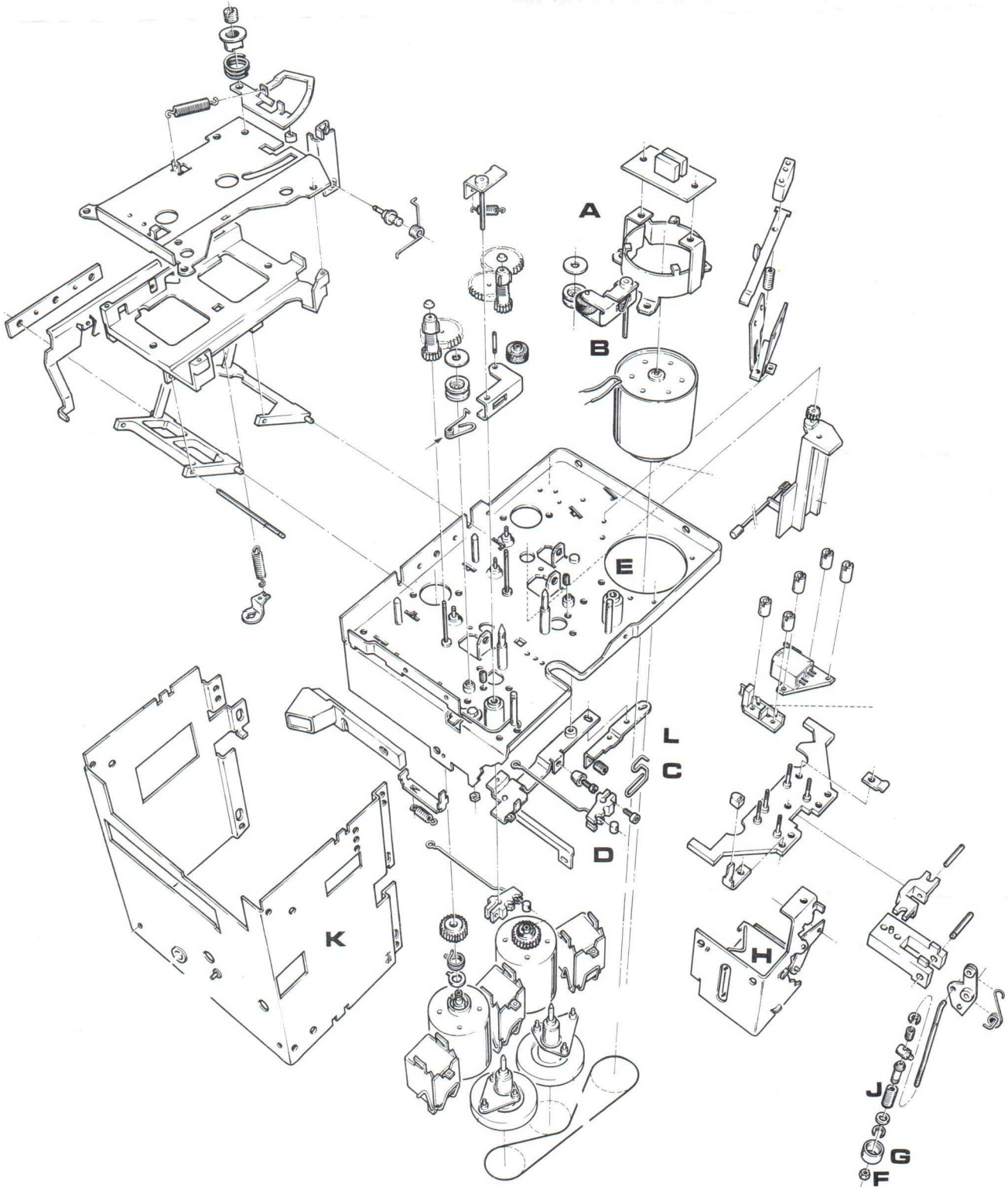


#### 4. Adjustment of the pinch roller stops

Correct setting is so that when the pinch roller solenoid is energised a gap of 1 mm is measured between bracket "B" and the pinch roller stop.

Adjustment can be attained by loosening the screw of the pinch roller stop and turning the stop bracket in the correct position.



## 9. PARTS LISTS

See enclosures

## 10. INSTALLATION

LCH 0003/4/5 (also see page 37)

The connection to the teacher panel LCH 0003/4/5 is made via 2x cables 0722 237 00002 in parallel. These cables are connected to the recorder by means of the 16-pole p. c. b. connector delivered with the recorder.

The leads, numbered 1...12 correspond to the soldering tags 1...12 on the teacher panel (LCH 0005). Also see the connection diagram.

For every recorder a mains connection should be available in the student booth.

LCM 2171 (also see page 38)

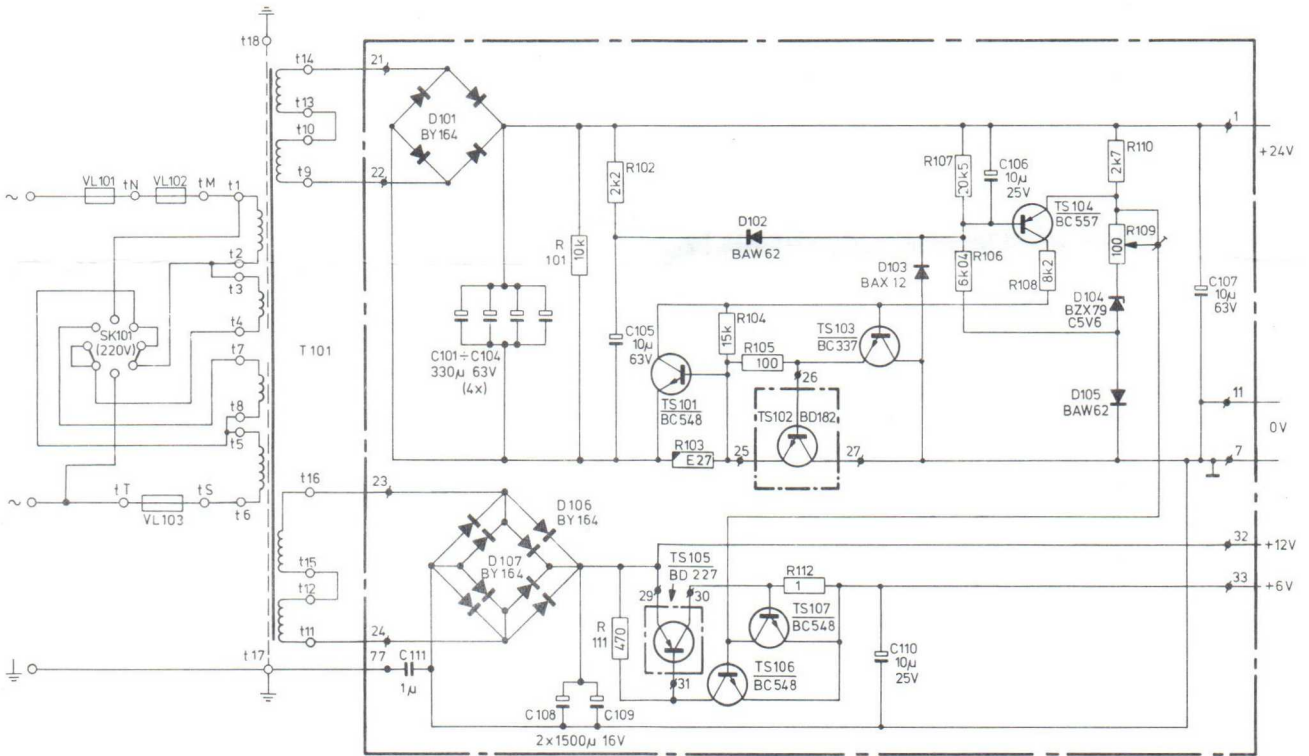
To connect the recorder to the LCM 2171, a slight modification should be carried out. For this, reference is made to a service or product information to be issued.

## CONSTRUCTION OF THE STUDENT BOOTH.

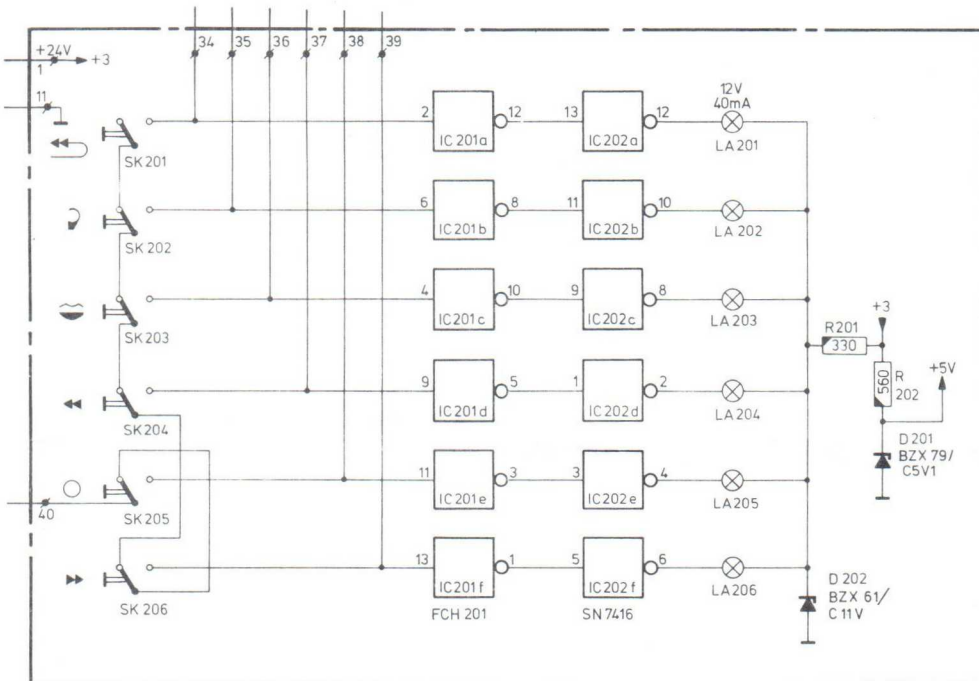
At this moment, constructional details of a student booth are not available.

Therefore the measures of the recorder and the mounting hole in the desk are given on page 39.

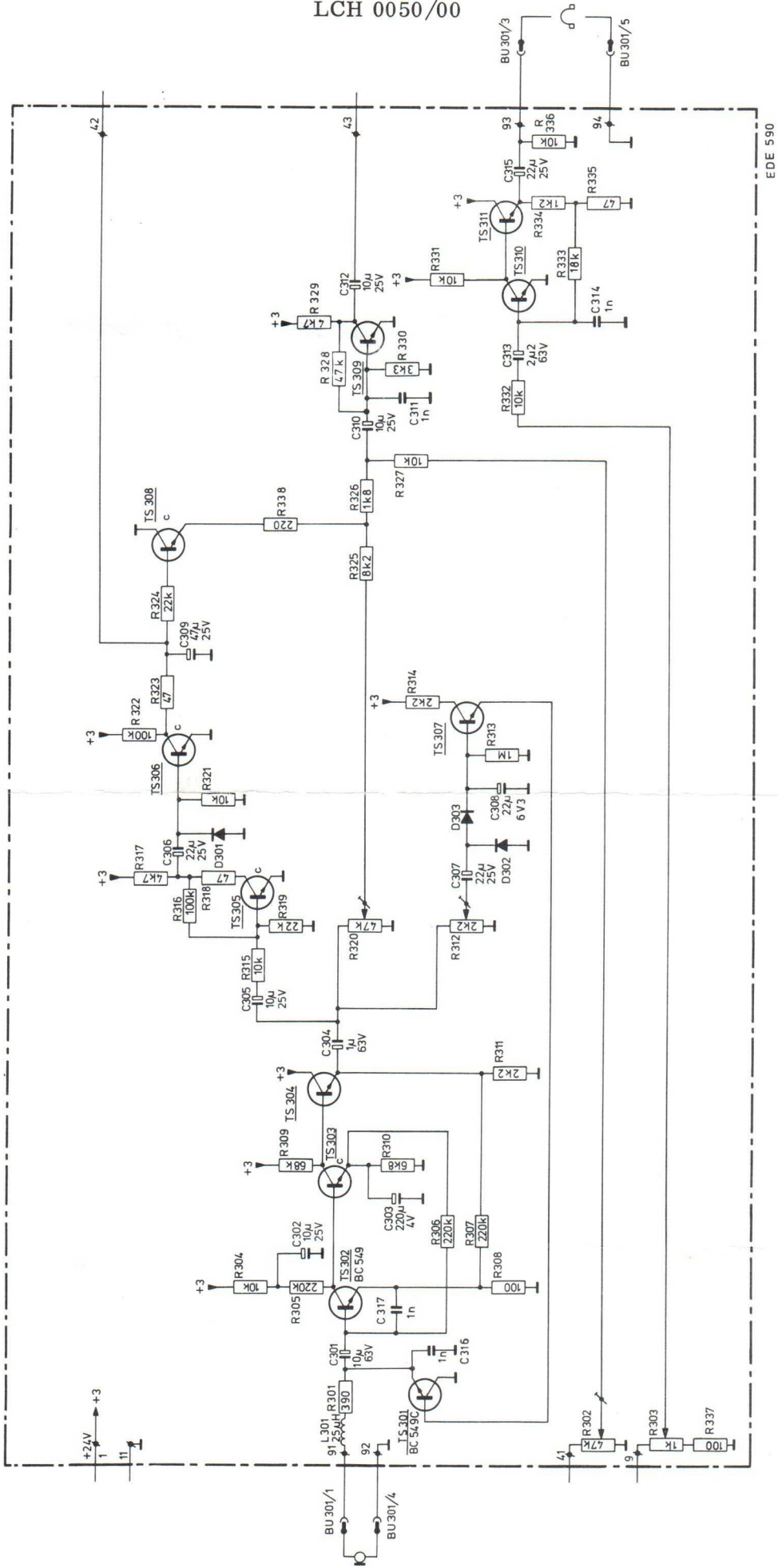
CIRCUIT DIAGRAMS



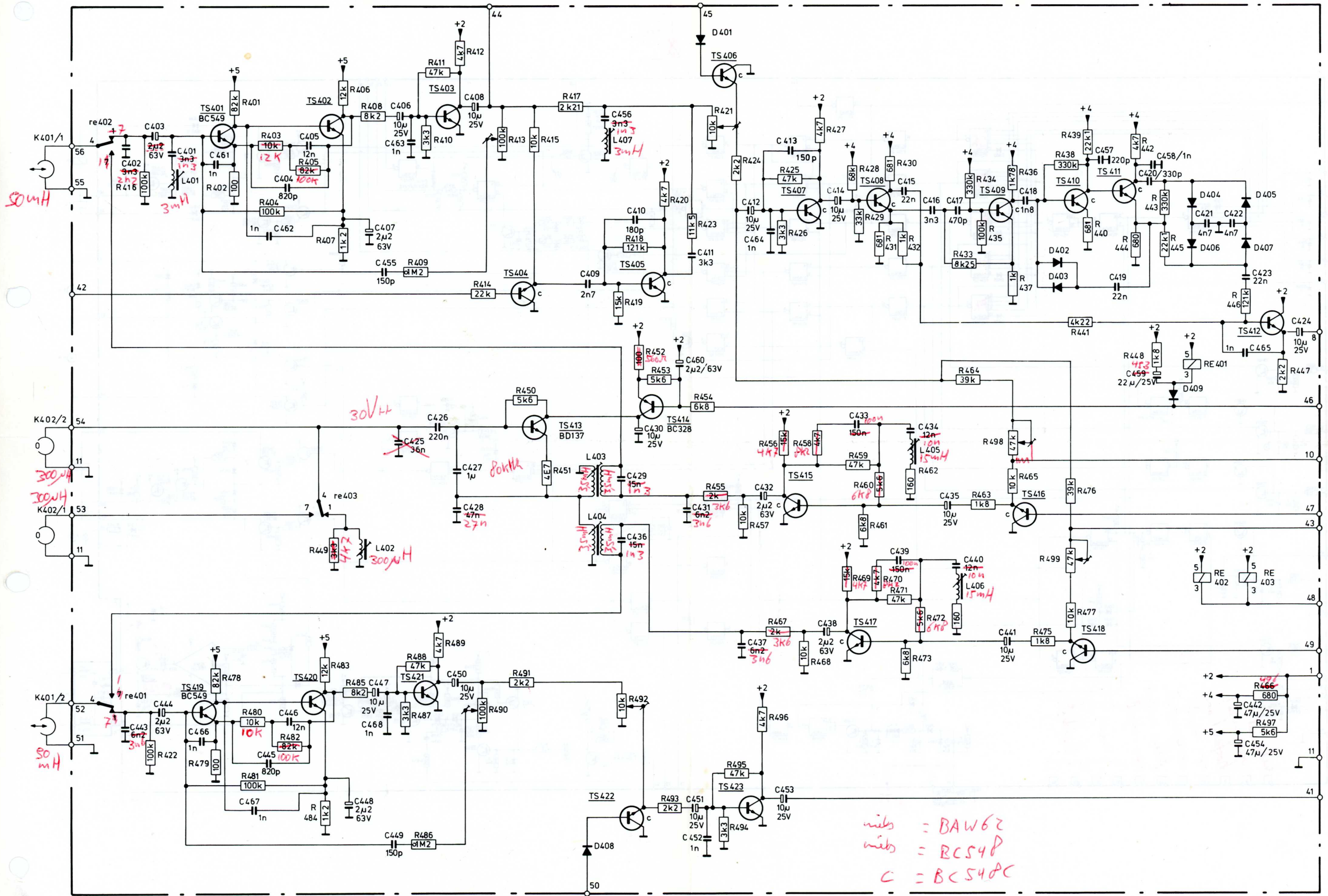
EDE 589



EDE 588





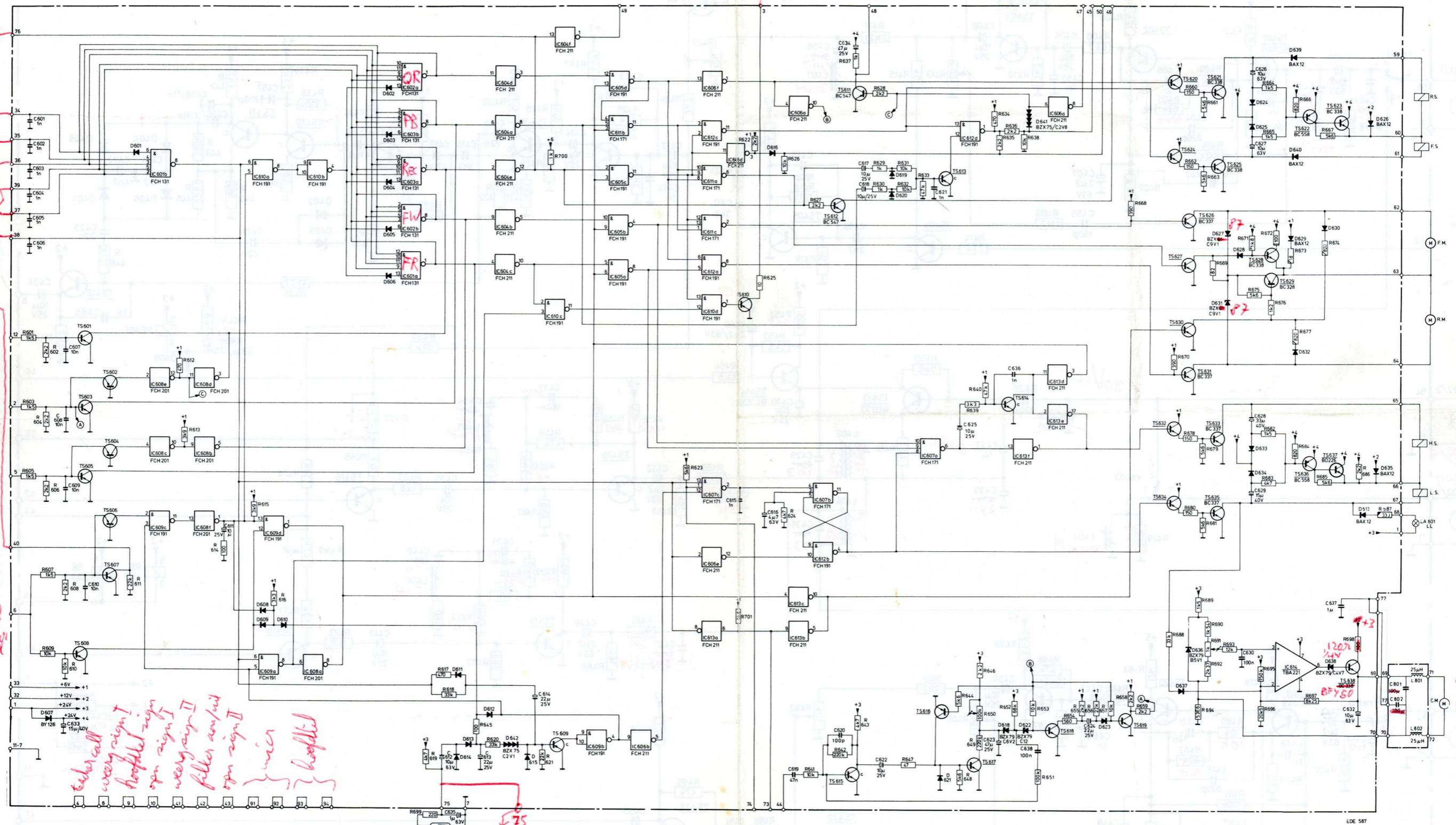




+6V  
rec. ready  
TP

+6V REC STD TP  
+6V PB  
-6V REI TA  
+6V FR  
-6V FW TP  
TP =  
Teacher  
+6V skind control  
-6V teacher control

teacher call  
wired  
wired  
wired  
wired  
wired  
wired  
wired



SERV. CODE	I	DESCR	POS
<u>TAPE DECK ASSY</u>			
5322	691	24004	CHASSIS ASSY 1T/M15
5322	405	24037	LEVER 16
5322	502	64015	BOLT 17
5322	325	64029	GROMMET 3,5x1 22
5322	405	24038	LOCKING SLIDE 24
5322	492	64359	SPRING 25
5322	492	44107	SPRING 26
5322	281	64144	SOLENOID FLAP ASSY. 27/28
5322	281	64143	SOLENOID FLAP ASSY 27/28
5322	492	44108	SPRING 29
5322	281	64145	SOLENOID ASSY 30/32
5322	361	24018	HUB MOTOR 33
5322	532	14457	RING 34
5322	492	44105	SPRING 35
5322	522	34424	GEAR WHEEL 36
5322	405	24034	BRACKET ASSY. 38 40
5322	405	24035	LEVER 39
5322	492	54132	SPRING 43
5322	535	74355	NIPPLE 44
5322	532	24311	BUSH 45
5322	492	54133	SPRING 46
5322	532	24312	BUSH 49
5322	535	84307	ROD 51
5322	405	24069	SPRINGHOLDER 54
5322	492	34383	N SPRING 55
5322	405	24071	N ROCKER ARM ASSY. 56
5322	405	24039	BLOCK ASSY 58
5322	466	85158	BLOCK 59
5322	535	74356	SPINDLE 60
5322	535	24006	SPINDLE 62
5322	405	24041	SLIDE PLATE ASSY 64 65
			BRACKET 66
5322	492	54134	SPRING 67
5322	505	14156	NUT 68
5322	405	24042	STOP 70
5322	462	34102	SLEEVE 71
5322	405	24043	LEVER ASSY 81/83
5322	405	24044	ARM 84
5322	462	44116	HOLDER 86
5322	405	24045	STRIP 88
5322	462	54064	NIPPLE 90
5322	535	84308	ROD 91
5322	466	85161	KLAMP 93
5322	492	44109	SPRING 96
5322	492	64315	SPRING 114
5322	405	24046	HOLDER 118
5322	492	54136	SPRING 119
5322	405	24047	LEVER 120
5322	271	30162	MICRO SWITCH 121
5322	405	24048	BRACKET 122
5322	528	94129	GUIDE 125
5322	522	34426	GEAR WHEEL 127
5322	532	54186	RING 128



SERV.	CODE	I	DESCR	POS
5322	528 14017		DRIVE ASSY	131/134
5322	462 44117		CAP	135
5322	405 24049		REV PINCHR. BRACKET	136/138
5322	405 24051		FORW PINCHR. BR.	136 137 139
5322	405 24052		FORW PINCHR. LEVER	140
5322	405 24053		REV PINCHR. LEVER	141
5322	528 74089		PINCH ROLLER	142
5322	535 84309		PINCH ROLLER SPINDLE	143
5322	492 64316		SPRING	144
5322	492 44111		SPRING	145
5322	535 74357		SPINDLE	147
5322	505 14157		NUT	152
5322	405 24055		LATCH ASSY	155/156
5322	492 44113		SPRING	157
5322	405 24056		BOTTOMSECTION ASSY	158/160
5322	405 24057		LIFT LEVER	161
5322	535 74358		SPINDLE	162
5322	405 24058		LIFT LEVER	164
5322	405 24059		RETRIEVAL ARM	166
5322	405 24061		STRIP	168
5322	492 34366		SPRING	169
5322	256 94042		SPRING HOLDER	170
5322	405 24062		CASSETTE HOLDER	172 178
5322	405 24063		RETRIEVAL SEGMENT	173
5322	492 54137		SPRING	174
5322	462 44118		DAMPING BUSH	175
5322	502 64016		DAMPING SCREW	176
5322	492 34367		SPRING	177
5322	405 24064		A SIDE LEVER	179
5322	405 24065		WRITE ENABLE LEVER	180
5322	492 34368		SPRING	181
5322	256 94043		BINDING POST	188
5322	405 24066		FRONTPLATE ASSY	192 194
4822	390 20004	M	MOLYKOTE GREASE BR2	223
5322	390 10057		OIL	224
5322	443 64009	N	LID ASSY	241/244
5322	405 24072	N	BRACKET ASSY.	253/258
5322	264 54022	N	PLUG ASSY. 8P	266/270
5322	255 34049	N	LAMPHOLDER	273
5322	134 44085	N	LAMP 12V-40MA	LA601
5322	414 24877	N	PUSH BUTTON ASSY.	276 277
5322	492 64363	N	SPRING PLATE	279
5322	249 34004	N	REC PLAY. BACK HEAD	283
5322	249 44009	N	ERASE HEAD ASSY	284/289
5322	256 94052	N	REED SWITCH HOLDER	293/294
5322	280 24036		REED CONTACT	SK601
4822	124 20569	M	E1. CAP 1UF 63V	C635
5322	522 34453	N	GEAR WHEEL ASSY	104 300 302
5322	532 54221	N	RETAINING RING	301
5322	361 24026	N	CAPSTANMOTOR ASSY	305
5322	528 84109	N	BRACKET ASSY	
4822	358 30123	M	BELT K1096	309
5322	256 94053	N	P.C.V. CONNECTOR	314
5322	214 34132	N	P.C. BOARD ASSY	318
5322	214 34133	N	P.C BOARD ASSY	319
5322	256 94054	N	COUNTER GEAR ASSY	
5322	349 54011	N	COUNTER ASSY	


  
 44009

50mH  
 300uH



SERV. CODE	I	DESCR	POS
<u>REC./P.B. PCB</u>			
5322	156	14027 N	COIL 3MH L401 407
5322	156	20559	COIL 300UH L402
<del>OSCILLATOR COIL L403 404</del>			
5322	156	14028 N	COIL 20 MH L405 406
4822	121	50389 M	CAP 3300PF 63V 2% C401 402
411 416 456			
4822	124	20571 M	EL.CAP 2,2UF 63V C403 407
432 438 444 448 460			
5322	122	30031	CAP 820PF 100V 10% C404 445
5322	121	50342	CAP 12000PF 63V 2% C405 434
440 446			
4822	124	20355 M	EL.CAP 10UF 25V C406 408
412 414 424 430 435 441 447			
450 451 453			
5322	121	54006	CAP.2700PF 63V 2% C409
4822	122	30092 M	CAP.180 PF 100V 2% C410
4822	122	30002 M	CAP.150 PF 100V 2% C413 449
455			
4822	121	41143 M	CAP.0,022UF 250V 10% C415
419 423			
5322	121	54013	CAP.470PF 125V 2% C417
5322	121	54044	CAP.1800PF 63V 2% C418
5322	122	34005	CAP.330 PF 100V 2% C420
4822	122	30128 M	CAP.4700PF 100V 10% C421 422
4822	121	50297 M	CAP 36000PF 63V 2% C425
4822	121	40232 M	CAP 0,22UF 100V 10% C426
5322	121	40197	CAP 1UF 100V 10% C427
5322	121	50375	CAP 47000PF 63V 2% C428
5322	121	50502	CAP 15000PF 63V 2% C429 436
4822	121	50272 M	CAP 6200PF 63V 2% C431 437
C443			
4822	121	40231 M	CAP 0,15UF 100V 10% C433 439
4822	124	20369 M	E1.CAP 47UF 25V C442 454
5322	122	30027	CAP 1000PF 100V 10% C452 458
641/648			
4822	122	30094 M	CAP 220PF 100V 2% C457
4822	124	20362 M	E1.CAP 22UF 25V C459
5322	116	54619	M.F.RES.10K 1% 0,4W R403 415
480			
5322	116	54689	M.F.RES 82K 1% 0,4W R405 482
4822	100	10072 M	POTM.100K R413 490
5322	116	54574	MF.RES.0,4W 2K21 1% R417
5322	116	54704	MF.RES 120K R418 446
5322	100	10024	POTM.10K R421 492
5322	116	54624	MF.RES.0,4W 11K5 1% R423
5322	116	54671	MF.RES.0,4W 47K 2% R425 459
R471			
5322	116	54534	MF.RES.0,4W 681F 1% R430 431
440			
5322	116	54549	MF.RES.1K 1% R432 437
5322	116	54558	MF.RES 8K25 1% R433
5322	116	54696	MF.RES.100K 0,4W 1% R435
5322	116	50515	MF.RES.1K78 0,4W 1% R436

14027  
 20559  
 24052  
~~24052~~  
 44012  
 156  
 156  
 156  
 156  
 951  
 2255  
 5322  
 5322  
 5322  
 5322  
 L407  
 L401  
 L402  
 L405  
 L403  
 3mH  
 300mH  
 15mH  
 2 x 3,5mH  
 28171  
 97771  
 22911  
 29142  
 100  
 130  
 130  
 3122  
 3122  
 3122  
 3122

service nr

elcoma nr

spelen:

SERV.	CODE	I	DESCR	POS
5322	116	54003	MF.RES.22K1 0.4W 1%	R439 445
5322	116	50729	MF.RES.4K22 0.4W 1%	R441
5322	116	54572	MF.RES.2K 0.4W 2%	R455 467
5322	116	54008	MF.RES.4K7 0.4W 2%	R458 470
5322	116	54011	MF.RES.5K6 0.4W 2%	R460 472
5322	116	50417	MF.RES.160E 0.4W 2%	R462 474
5322	116	54664	MF.RES.39K 0.4W 2%	R464 476
5322	116	54619	MF.RES 10K 0.4W 2%	R465 477
4822	100	10076	M POTM.47K	R498 499
5322	130	30613	DIODE BAW 62	D401/409
5322	130	44246	TRANSISTOR BC549	TS401 419
5322	130	44196	TRANSISTOR BC548	TS402
			403 412 420 421 423	
5322	130	44196	TRANSISTOR BC548C	TS404/411
			415/418 422	
5322	130	40664	TRANSISTOR BD137	TS413
5322	130	30341	TRANSISTOR BC328	TS414
5322	280	84047	N RELAY RHD=24V	RE401 402
5322	280	84048	N RELAY RH=24V	RE403
<u>LOGIC P.C.B.</u>				
5322	122	30027	CAP 1000PF 100V 10%	C601/606
				C615 C621 636
5322	121	44002	CAP 0.01UF 250V 10%	C607 610
4822	124	20355	M E1.CAP 10UF 25V	C611 617
			618 622 625	
4822	124	20353	M E1.CAP 10UF 63V	C612 626
			627 632	
4822	124	20362	M E1.CAP 22UF 25V	C624C613 614
5322	124	20594	E1.CAP 4.7UF 63V	C616
4822	121	41152	M CAP 0.047UF 250V 10%	C619
4822	122	30021	M CAP 100PF 100V 2%	C620
4822	124	20369	M E1.CAP 47UF 25V	C634
4822	124	20365	M E1.CAP 33UF 40V	C628
4822	124	20359	M E1.CAP 15UF 40V	C629 633
5322	121	40323	CAP 0.1UF 100V 10%	C630 638
4822	124	20569	M E1 CAP 1UF 63V	C635
5322	121	40197	CAP 1UF 100V 10%	C637
4822	100	10072	M POTM 100K	R650
5322	113	44112	W.W.RES.100E 7W 5%	R672
5322	116	50586	MF.RES 0.4W 1K54 1%	R690
5322	100	10021	POTM.1K	R691
5322	116	54576	MF.RES.0.4W 2K37 1%	R692
5322	116	54444	MF.RES.0.4W 53F6 1%	R694
5322	116	54643	MF.RES.0.4W 20K5 1%	R696
5322	116	54558	MF.RES.0.4W 8K25 1%	R697
5322	130	30613	DIODE BAW 62	D601/606
			619/621 623/625 628	630 637
			632/634	
5322	130	30192	DIODE BY126	D607
5322	130	30424	DIODE BAX12	D617 626
			629 635 639 640	
5322	130	30766	DIODE BZX79C642	D618
5322	130	34069	DIODE BZX 79C12	D622