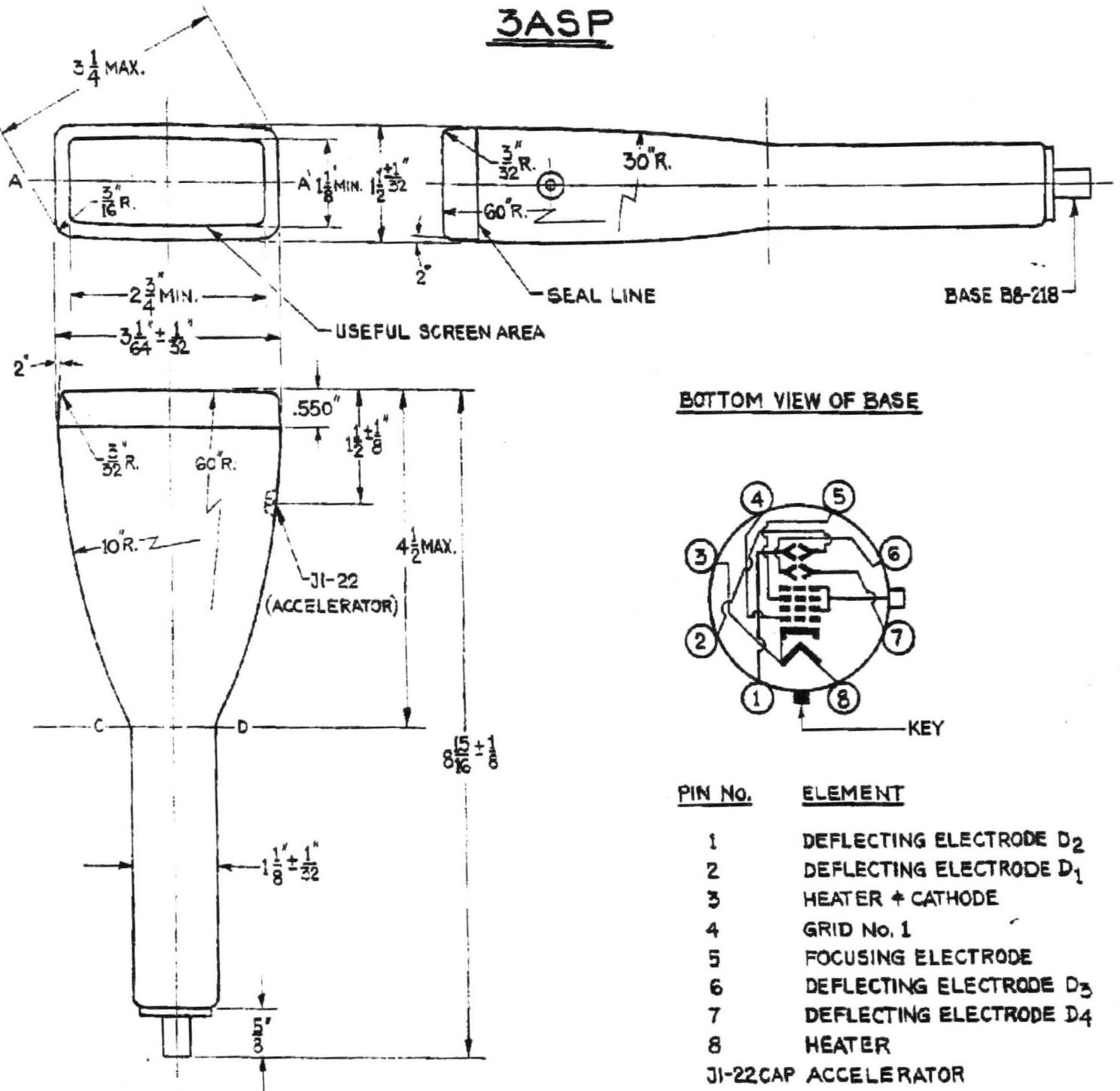




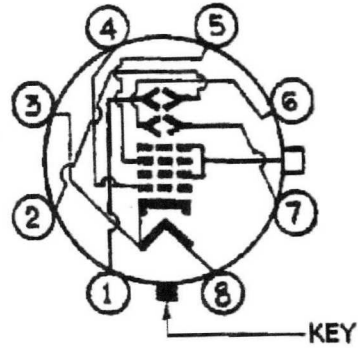
Inomas

INDUSTRIAL & MILITARY TUBES
ENGINEERING DATA

3ASP

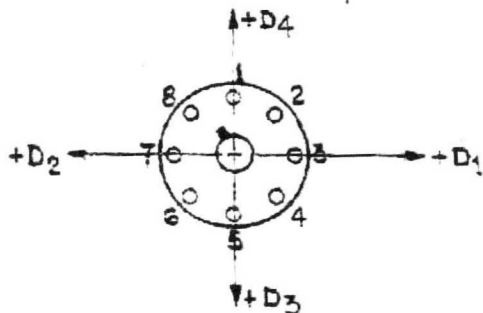


BOTTOM VIEW OF BASE



PIN No.	ELEMENT
1	DEFLECTING ELECTRODE D ₂
2	DEFLECTING ELECTRODE D ₁
3	HEATER + CATHODE
4	GRID No. 1
5	FOCUSING ELECTRODE
6	DEFLECTING ELECTRODE D ₃
7	DEFLECTING ELECTRODE D ₄
8	HEATER

J1-22CAP ACCELERATOR



THOMAS ELECTRONICS, INC., PASSAIC, NEW JERSEY



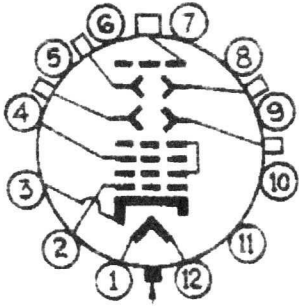
THOMAS L.L.

[Thomas]

**INDUSTRIAL & MILITARY TUBES
ENGINEERING DATA**

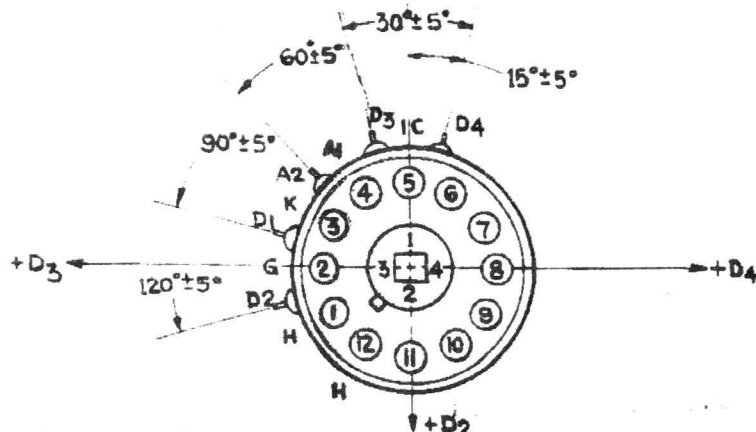
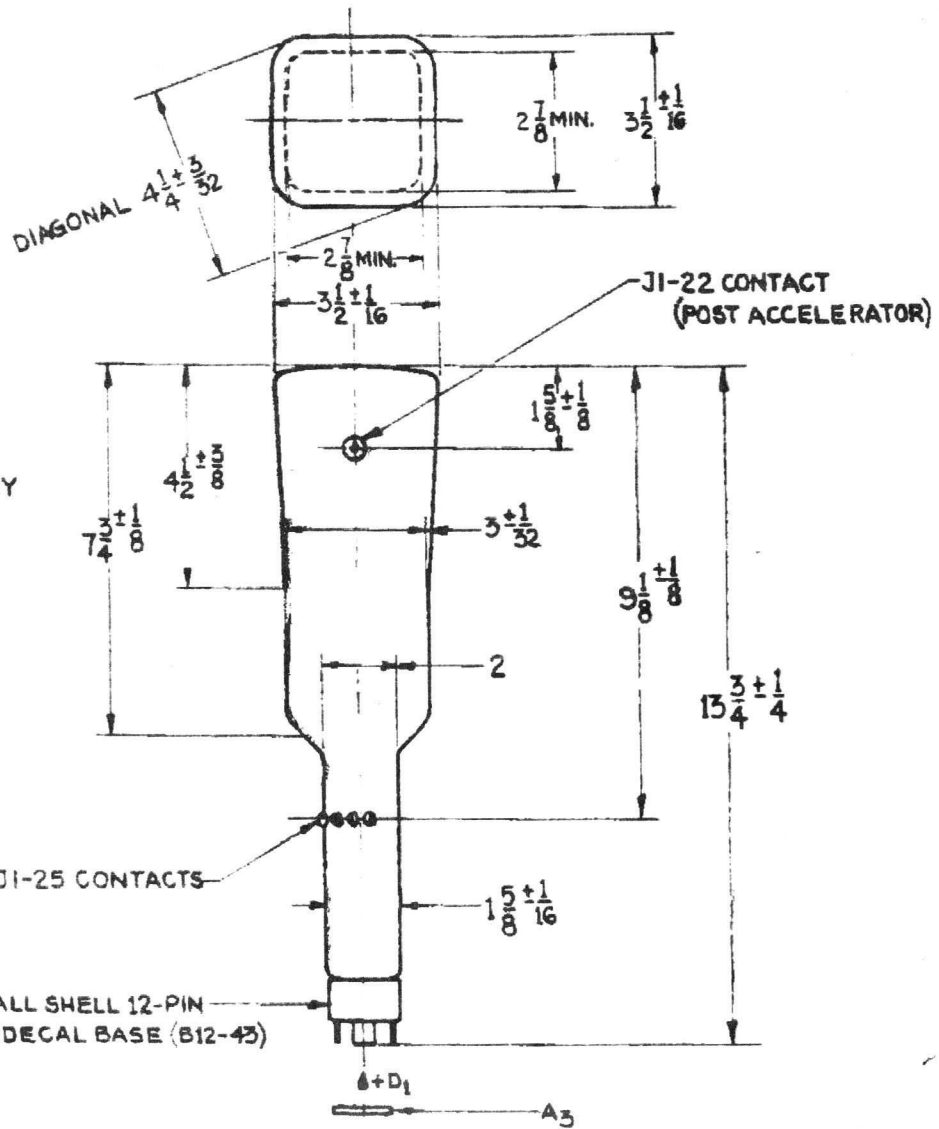
4MP-

BOTTOM VIEW OF BASE



KEY

PIN NO.	ELEMENT
1	HEATER
2	GRID No. 1
3	CATHODE
4	FOCUSING ELECTRODE
12	HEATER



THOMAS ELECTRONICS, INC., PASSAIC, NEW JERSEY