



PHILIPS

50 MHz Digital Storage Oscilloscope PM3335 – PM3337

TEST & MEASUREMENT

CUSTOMER SUPPORT



MAT3386

SSU05345-2

950303

4822 872 09444

Related to: **PM3335/37 SERVICE MANUAL 4822 872 05345**

Already published for this manual: SSU05345-1

Subject/purpose/symptom:**CLASS 4**

- 1 - Information on how to use the PM3335/37 Service Manual for PM3331
- 2 - Information on RS232C + IEEE interfaces (PM8959, PM8961)

1. PM3331 - 40 MHz COMBISCOPE**GENERAL.**

This information sheet deals with the differences between PM3331 and PM3335/37. The CombiScope PM3331 is derived from the model number PM3335. The bandwidth of vertical channels and triggering in PM3331 is lower than in PM3335/37. However you can use the PM3335/37 Service Manual 4822 872 05345 for repair and maintenance of PM3331. The differences are listed below. PM3331 and PM3335/PM3337 make use of the same set of Users Manuals.

CHARACTERISTICS.

Characteristics in chapter 2 should be changed as follows for PM3331:

- Vertical bandwidth between 20 mV ... 10 V/div is 40 MHz; the belonging rise time is 8.75 ns.
- Dynamic range and cross talk between channels are specified at 40 MHz (instead of 50 MHz).
- The trigger sensitivity of >1 div (external >150 mV) ranges up to 40 MHz.
- The trigger sensitivity of >3 div (external >500 mV) ranges up to 60 MHz.

PM3335 SERVICE MANUAL CHANGES FOR USE WITH PM3331:**- Partslist changes:**

- * Page 18-7: Trimming capacitor C3005 (20 pF) has been removed from XYZ unit A2.
- * Page 18-1: The PM3331 text strip (item 6) above the CRT has ordering code 5322 466 30445.
- * Page 18-17: The Eprom D9013 on unit A9 has ordering code 5322 209 52399. The D9013 Eprom for PM3335/3337 has ordering code 5322 209 51682. Eprom D102 on hardcopy interface: 5322 209 51656 (same for PM3335/PM3337).

- Performance test changes:

- * Page 13-5, 13.3.4, Auto set: use a 40 MHz sine wave instead of 50 MHz.
- * Page 13-9, 13.3.9, Frequency response: increase the frequency up to 40 MHz instead of 60 MHz.
- * Page 13-10, 13.3.10, Rise time: measured value is 8.8 ns instead of 5.8 ns (1.8 div instead of 1.16 div).

* Page 13-14, 13.3.15, Cross talk: use a 40 MHz sinewave instead of 60 MHz.

* Page 13-28, 13.3.30, Trigger sensitivity A/B: use 40 MHz instead of 50 MHz, use 60 MHz instead of 100 MHz.

* Page 13-29, 13.3.31, Trigger sensitivity EXT: use 40 MHz instead of 50 MHz, use 60 MHz instead of 100 MHz.

- Adjusting procedure change: the C3005 adjustment step on the pages 15-8 and 15-15 can be skipped.

2. RS232C + IEEE INTERFACES

INTERFACE CONFIGURATIONS

The circuit diagram (figure 1) and the p.c.b. lay-out (figure 2) are valid for the interface configuration with full featured bidirectional RS232C + IEEE interfaces. On the same p.c.b. two less extensive interface versions are possible. This is realized by leaving out components:

- a full featured bidirectional RS232C-only interface is realized by leaving out the IC's D109, D111, D112, D113, D114.
- a RS232C screen dump interface is realized by leaving out the IC's D108, D109, D111, D112, D113, D114.

The firmware for these 3 configurations is universal. The firmware is also universal for the models PM3331, PM3335, PM3337. Firmware is present in Eprom D102.

CIRCUIT DESCRIPTION

The interface unit incorporates a microcomputer system, a RS232C interface, an IEEE interface and some control circuitry. The microprocessor system consists of processor D101 and belonging Eprom D102 and Random Access Memory D103. The RS232C interface consists of interface chip D107 with 3 input buffers D117 for the signals DSR (Data Set Ready), CTS (Clear To Send) and RXD (Receive Data). D117 converts the RS232C input levels of ± 12 volt to TTL. There are also 3 output buffers D118 for the signals TXD (Transmit Data), DTR (Data Terminal Ready) and RTS (Request To Send). D118 converts TTL into RS232C levels.

The IEEE interface consists of interface IC D108 and the associated input/output buffers D111, D112, D113, D114. D108 is also present on the bidirectional RS232C-only interface; part of the communication protocol is realized in D108.

The crystal G101 provides timing both for the microcomputer and the RS232C chip. Communication between the oscilloscope's main microcomputer and the interface unit happens via the buffers D104 (bidirectional) and D106. Buffer D104 transfers data under influence of the control signals ENIEBULT (Enable IEEE Buffer) and OPTRD (Option Read). Buffer D106 transfers address information under control of the signals ENIEBULT and ALE---HT (Address Latch Enable). The PLS chip D116 makes the in and output signals that control the interface unit. The PLS is a combinatoric device where a certain input combination results in a factory-programmed output code. The input/output signals of this device are:

- Input signal X1/CLK is inverted to output signal UPCLK.
- Input signal BG---LT (Bus Grant) makes the bus free for the oscilloscope's main microcomputer system.
- Input signals A18, A19 (Address lines A18 and A19): these lines select via the D116 outputs the 4 devices that are present on this unit. They are: Eprom D102 (via ROMSL-LT/ROMselect), the RAM D103 (via CSIERALT/chipselect and WRIERALT/write), the RS232C device D107 (via CS232-LT/chip select and IEWR--LT/write), the IEEE device D108 (via CSIE--LT/chip select, RDIE--LT/read, WRIE--LT/write)

PARTS LISTS

Capacitors:

C101	4.7pF $\pm 0.25\text{pF}$	5322 122 33082
C102	4.7pF $\pm 0.25\text{pF}$	5322 122 33082
C103	33uF $\pm 20\%$	5322 124 21957
C104	22nF -20/+80%	4822 122 30103
C106	22nF -20/+80%	4822 122 30103
C107	22nF -20/+80%	4822 122 30103
C108	22nF -20/+80%	4822 122 30103
C109	15uF $\pm 20\%$	5322 124 21958
C111	15uF $\pm 20\%$	5322 124 21958
C112	1nF $\pm 10\%$	4822 122 30027
C114	1nF $\pm 10\%$	4822 122 30027
C116	1nF $\pm 10\%$	4822 122 30027
C118	330pF $\pm 2\%$	4822 122 31353
C119	330pF $\pm 2\%$	4822 122 31353
C122	330pF $\pm 2\%$	4822 122 31353

Resistors:

R101	100k 1% MRS25	4822 116 52973
R102	10k array	5322 111 90473
R103, R106	3.16k 1% MRS25	4822 116 53021
R104, R107	10k 1% MRS25	4822 116 53022

Semi-Conductors:

V101, V102	BC548C	4822 130 44196
V103, V104	BAW62	4822 130 30613

Integrated Circuits:

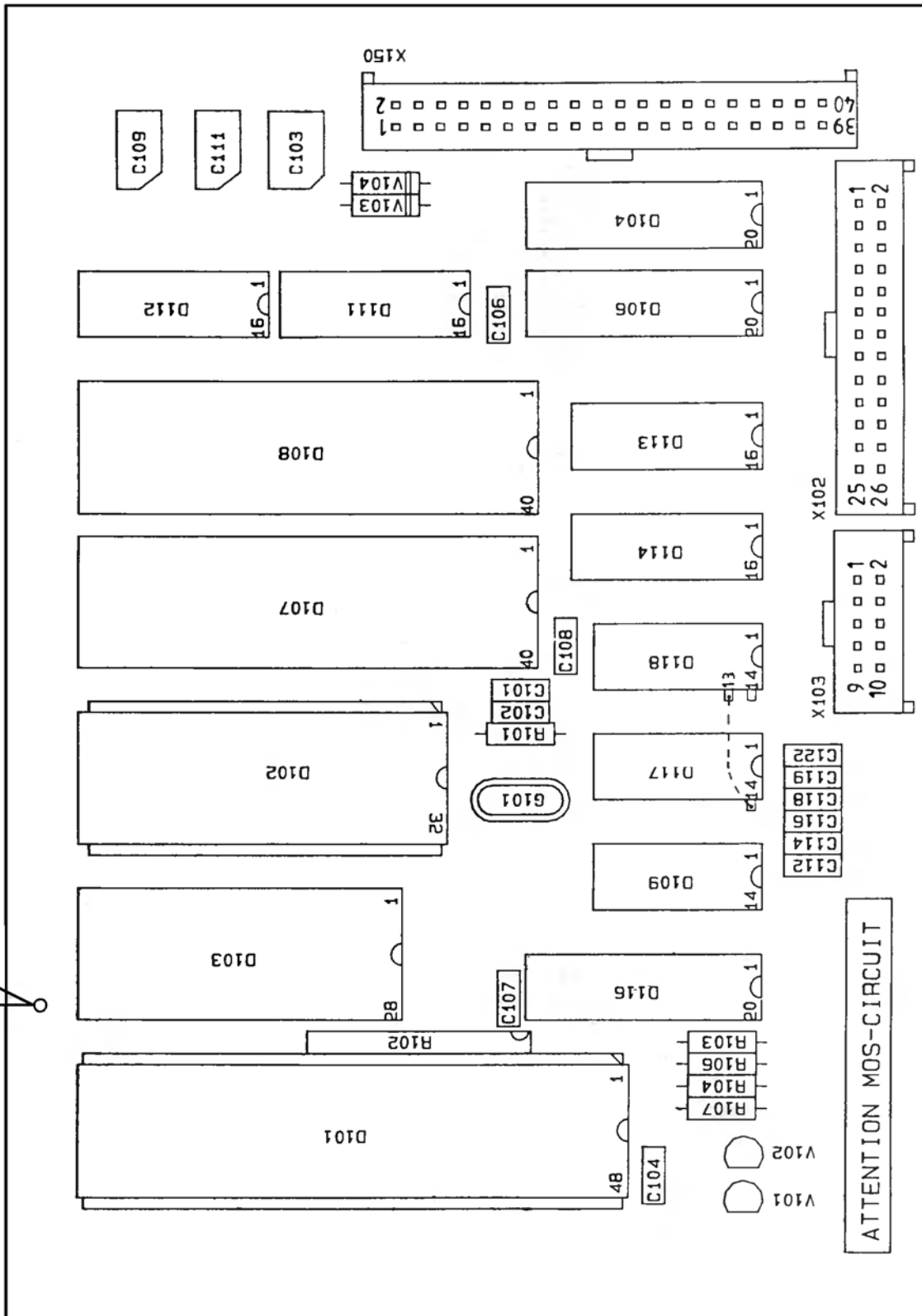
D101	MC68008P8	5322 209 11593
D102	EPROM V4.2	5322 209 51656
D103	M62256LP-12	5322 209 72129
D104	PC74HCT245P	5322 209 11117
D106	PC74HCT573P	5322 209 11488
D107	N68681C1N40	5322 209 11561
D108	P8291A	5322 209 81264
D109	PC74HCT02P	5322 209 11106
D111, D112	MC3448AP	5322 209 11317
D113, D114	MC3448AP	5322 209 11317
D116	PLS153AN	5322 209 60478
D117	MC1489AL	5322 209 86103
D118	MC1488L	5322 209 84307

Miscellaneous:

Interface unit universal (*)	5322 214 90325
IEEE connector at rear of oscilloscope	5322 267 60258
IEEE connector (26p), fits into X102	5322 267 70175
X102 connector on p.c.b.	5322 265 40557
RS232 connector at rear of oscilloscope	5322 290 40382
RS232 connector (10p), fits into X103	5322 268 40234
X103 connector on p.c.b.	5322 265 30443
48 pole IC-socket (for D101)	5322 255 40831
32 pole IC-socket (for D102)	5322 255 40829
X150 connector on p.c.b.	5322 265 61072
Crystal G101	5322 242 71867

(*): this universal unit may incorporate more components than the one to be replaced.

GROUND LEAD : TO BRACKET UNIT A1
 GROUND LEAD : TO CHASSIS UNIT A9



MAT 3475A

Figure 1. Printed circuit board lay-out (IEEE + RS232C configuration, see text).

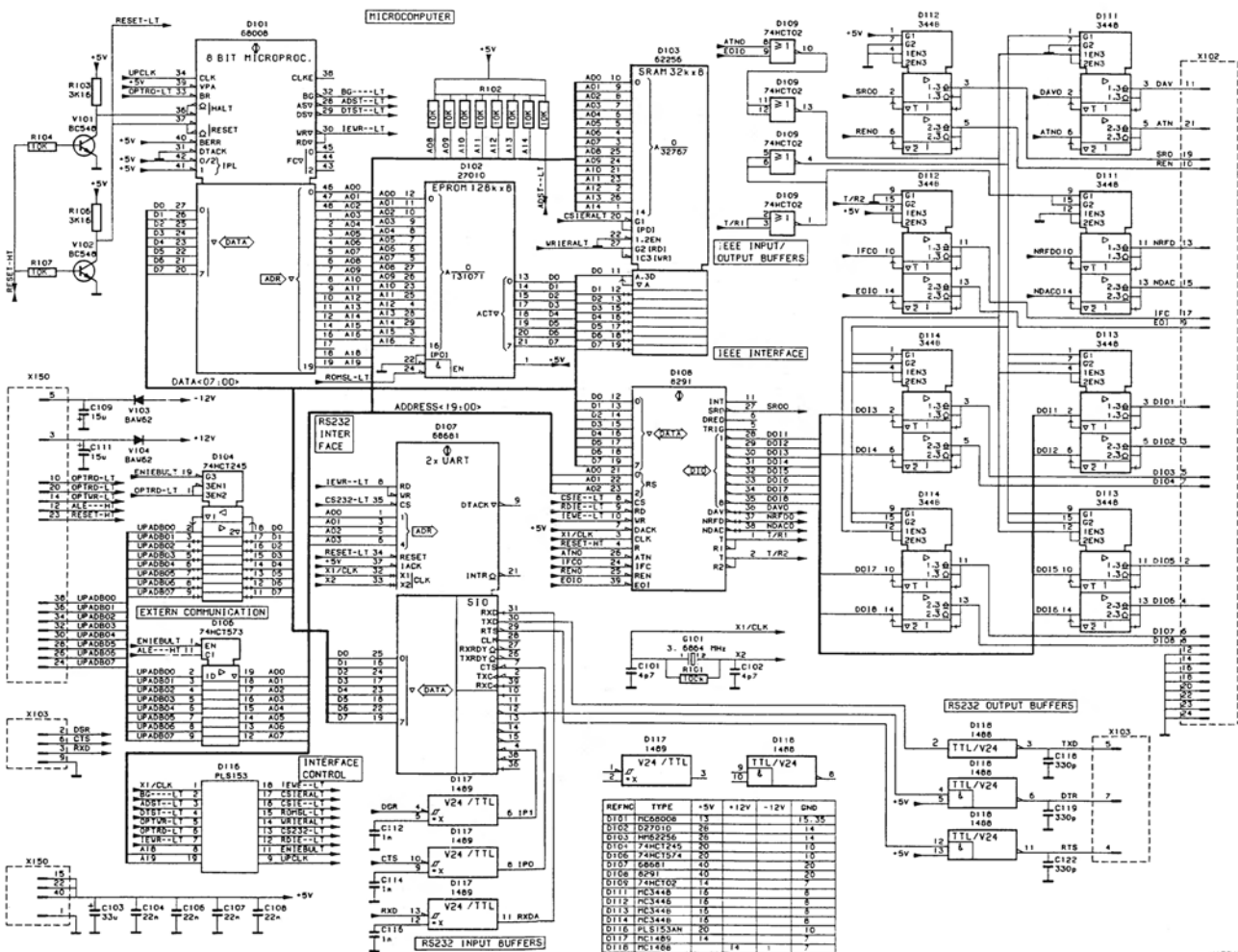


Figure 2. Circuit diagram of interface unit (IEEE + RS232C configuration, see text).

50 MHz Digital Storage Oscilloscope

PM3335 – PM3337

Service Manual

4822 872 05332
890401/1



MAT3386

WARNING: These servicing instructions are for use by qualified personnel only. To reduce the risk of electric shock do not perform any servicing other than that specified in the Operating Instructions unless you are fully qualified to do so.



PHILIPS

IMPORTANT: In correspondence concerning this instrument, please quote the type number and serial number as given on the type plate.

NOTE: The design of this instrument is subject to continuous development and improvement. Consequently, this instrument may incorporate minor changes in detail from the information contained in this manual.

CONTENTS	Page
1. SAFETY INSTRUCTIONS	1-1
1.1 Introduction	1-1
1.2 Safety precautions	1-1
1.3 Caution and warning statements	1-1
1.4 Symbols	1-1
1.5 Impaired safety-protection	1-2
1.6 General clauses	1-2
2. CHARACTERISTICS	2-1
2.1 Display	2-3
2.2 Vertical deflections or Y axis	2-3
2.3 Horizontal deflection or X axis	2-5
2.4 Triggering	2-6
2.5 Signal acquisition.....	2-7
2.6 Channels A and B.....	2-8
2.7 Time base.....	2-9
2.8 Trigger.....	2-9
2.9 Memory.	2-10
2.10 Display.....	2-10
2.11 Calculation facilities.....	2-10
2.12 Auto setting.....	2-10
2.13 Cursors.....	2-11
2.14 Power supply.....	2-11
2.15 Sundries.....	2-12
2.16 Environmental characteristics.....	2-13
2.17 Safety.....	2-15
2.18 Optional versions.....	2-15

3.	INTRODUCTION TO CIRCUIT DESCRIPTION AND BLOCK DIAGRAM DESCRIPTION	3-1
3.1	Introduction to circuit description	3-1
3.2	Block diagram description	3-13
4.	ATTENUATOR UNIT (A1)	4-1
4.1	Vertical attenuators	4-1
4.2	External input	4-2
5.	PRE-AMPLIFIER UNIT (A2)	5-1
5.1	Vertical pre-amplifier	5-1
5.2	TB trigger pre-amplifier	5-2
5.3	Pre-amplifier control	5-3
6.	XYZ-AMPLIFIER UNIT (A3)	6-1
6.1	Introduction	6-1
6.2	Final vertical (Y) amplifier	6-1
6.3	Final horizontal (X) amplifier	6-1
6.4	Final blanking (Z) amplifier and CRT	6-2
7.	TIME-BASE UNIT (A4)	7-1
7.1	Trigger amplifier	7-1
7.2	Timing circuit	7-2
7.3	Sweep generator	7-4
7.4	X DEFL amplifier, and display mode switch	7-6
7.5	Z-amplifier	7-6
7.6	Timing diagram	7-7
7.7	Timing diagram	7-7
8.	CRT CONTROL UNIT (A5)	8-1

9.	POWER SUPPLY UNIT (A6)	9-1
9.1	Input circuit	9-1
9.2	Converter circuit	9-1
9.3	Secondary output rectifiers	9-3
9.4	HT supply	9-3
9.5	Calibrator	9-3
10.	FRONT UNIT (A7-A8)	10-1
10.1	Key matrix and reset circuit	10-1
10.2	Front panel controls, probe indicator, auxiliary ..	10-1
10.3	LCD display circuit	10-2
11.	DIGITAL UNIT (A9)	
11.1	Input amplifiers and ADC circuit	11-1
11.2	Acquisition memories	11-1
11.3	Acquisition control logic	11-2
11.4	Display logic	11-4
11.5	DAC circuits	11-6
11.6	Display and time base control	11-7
11.7	CPU logic	11-8
11.8	Signal name list	11-10
12.	ADAPTATION UNIT	12-1
12.1	Vertical display mode switch	12-1
12.2	Real time mode amplifier	12-1
12.3	Digital memory amplifier	12-2
12.4	Signal name list	12-2

13.	PERFORMANCE CHECK	13-1
13.1	General information	13-1
13.2	Preliminary settings	13-2
13.3	Recommended test equipment	13-2
13.4	Checking procedure	13-2
14.	DISMANTLING THE INSTRUMENT	14-1
14.1	General information	14-1
14.2	Removing the top and bottom covers	14-1
14.3	Access to parts for the checking and adjusting procedures	14-1
15.	ADJUSTING PROCEDURE	15-1
15.1	General information	15-1
15.2	Recommended test and calibration equipment	15-5
15.3	Survey of adjusting elements	15-6
15.4	Adjusting procedure	15-11
16.	CORRECTIVE MAINTENANCE	16-1
16.1	Replacements	16-1
16.2	Removing the units and mechanical parts	16-3
16.3	Soldering techniques	16-9
16.4	Instrument repacking	16-9
16.5	Trouble shooting	16-10
16.6	Special tools	16-12
16.7	Recalibration after repair	16-13

17.	SAFETY INSPECTION AND TEST AFTER REPAIR AND MAINTENANCE IN THE PRIMARY CIRCUIT	17-1
17.1	General directives	17-1
17.2	Safety components	17-1
17.3	Checking the protective earth connection	17-1
17.4	Checking the insulation resistance	17-1
17.5	Checking the leakage current	17-1
17.6	Voltage test	17-2
18.	PARTS LIST	16-1
18.1	Mechanical parts	18-1
18.2	Cables and connectors	18-4
18.3	Electrical parts	18-6

1. SAFETY INSTRUCTIONS

Read these pages carefully before installation and use of the instrument.

1.1 INTRODUCTION

The following clauses contain information, cautions and warnings which must be followed to ensure safe operation and to retain the instrument in a safe condition.

Adjustment, maintenance and repair of the instrument shall be carried out only by qualified personnel.

1.2 SAFETY PRECAUTIONS

For the correct and safe use of this instrument it is essential that both operating and servicing personnel follow generally-accepted safety procedures in addition to the safety precautions specified in this manual.

Specific warning and caution statements, where they apply, will be found throughout the manual.

Where necessary, the warning and caution statements and/or symbols are marked on the apparatus.

1.3 CAUTION AND WARNING STATEMENTS

CAUTION: is used to indicate correct operating or maintenance procedures in order to prevent damage to or destruction of the equipment or other property.

WARNING: calls attention to a potential danger that requires correct procedures or practices in order to prevent personal injury.

1.4 SYMBOLS



High voltage ≥ 1000 V (red)



Live part (black/yellow)



Read the operating instructions



Protective earth (black)
(grounding) terminal

1.5 IMPAIRED SAFETY-PROTECTION

Whenever it is likely that safety-protection has been impaired, the instrument must be made inoperative and be secured against any unintended operation. The matter should then be referred to qualified technicians.

Safety protection is likely to be impaired if, for example, the instrument fails to perform the intended measurements or shows visible damage.

1.6 GENERAL CLAUSES

1.6.1 WARNING: The opening of covers or removal of parts, except those to which access can be gained by hand, is likely to expose live parts and accessible terminals which can be dangerous to live.

1.6.2 The instrument shall be disconnected from all voltage sources before it is opened.

1.6.3 Bear in mind that capacitors inside the instrument can hold their charge even if the instrument has been separated from all voltage sources.

1.6.4 WARNING: Any interruption of the protective earth conductor inside or outside the instrument, or disconnection of the protective earth terminal, is likely to make the instrument dangerous. Intentional interruption is prohibited.

1.6.5 Components which are important for the safety of the instrument may only be renewed by components obtained through your local Philips organisation. (See also section 15).

1.6.6 After repair and maintenance in the primary circuit, safety inspection and tests, as mentioned in section 15 have to be performed.

2. CHARACTERISTICS

A. Performance Characteristics

- Properties expressed in numerical values with stated tolerance are guaranteed by PHILIPS. Specified non-tolerance numerical values indicate those that could be nominally expected from the mean of a range of identical instruments.
- This specification is valid after the instrument has warmed up for 30 minutes (reference temperature 23^oC).
- For definitions of terms, reference is made to IEC Publication 351-1.

B. Safety Characteristics

- This apparatus has been designed and tested in accordance with Safety Class I requirements of IEC Publication 348, Safety requirements for Electronic Measuring Apparatus, UL 1244 and CSA 556B and has been supplied in a safe condition.

C. Initial Characteristics

. Overall dimensions:

- Width

Including handle	: 387 mm
Excluding handle	: 350 mm
- Length

Including handle	: 518,5 mm
Excluding handle, excl. knobs	: 443,5 mm
Excluding handle, incl. knobs	: 455,5 mm
- Height

Including feet	: 146,5 mm
Excluding feet	: 134,5 mm
Excl. under-cabinet	: 132,5 mm



MAT3414

Figure 2.1 Dimensions of oscilloscope PM3335.

* Mass : 8,5 kg


* Operating positions:

- a. Horizontally on bottom feet
- b. Vertically on rear feet
- c. On the carrying handle in two sloping positions.

D. CONTENTS

- 2.1. Display
- 2.2. Vertical deflection or Y axis
- 2.3. Horizontal deflection or X axis
- 2.4. Triggering
- 2.5. Signal acquisition
- 2.6. Channels A and B
- 2.7. Time base
- 2.8. Trigger
- 2.9. Memory
- 2.10. Display
- 2.11. Calculation facilities
- 2.12. Auto setting
- 2.13. Cursors
- 2.14. Power supply
- 2.15. Sundries
- 2.16. Environmental characteristics
- 2.17. Safety
- 2.18. Optional versions

	CHARACTERISTICS	SPECIFICATION	ADDITIONAL INFORMATION
2.1	DISPLAY		
	* CRT		
	Type No	PHILIPS D 14-372	
	Measuring area (h x w)	80 x 100 mm	8 x 10 div. 1 div. = 10 mm 1 subdiv. (sd) = 2 mm
	* Screen type		
	Standard	GH (P 31)	Standard persistence (7 ms)
	Option	GM (P 7)	Long persistence (30 ms)
	* Total acceleration voltage	16 kV	
	* Graticule:		
	Engravings	Internal fixed	
	Division lines	1 cm	Horizontal as well as vertical
	Subdivisions	2 mm	Horizontal as well as vertical
	Dotted lines	1,5 and 6,5 cm from top	Only horizontal.
	Percentages	0%, 10%, 90%, 100%	Left side of screen
	* Orthogonality	90° +/- 1°	Measured in zero point.
	* Illumination	Continuously variable	By means of potentiometer.
2.2	VERTICAL DEFLECTION OR Y AXIS		
	* Auto set	Automatic setting according to input signal	
	* Deflection modes and sources	Channel A and/or B or ADDED (A+B, A_B)	Channel B can be inverted. All combinations are possible in ALTERNATE as well as in CHOP mode
	* Deflection coefficients	2 mV/div...10 V/div	In 1, 2, 5 sequence. If probe with range indicator is used, deflection coeff. is automatically calculated in display.
	* Variable gain control range	1 : >2,5	
	* Error limit	+/- 3%	Only in calibrated position.
	* Input impedance Paralleled by	1 M ohm +/-2% 20 pF +/-2pF	Measured below 1 MHz Measured below 1 MHz


CHARACTERISTICS	SPECIFICATION	ADDITIONAL INFORMATION
 * Max. input voltage Max. test voltage (rms)	400 V (d.c. + a.c. peak) 500 V	Max. duration 60 s.
* Bandwidth for 20 mV...10 V	> 50 MHz (-3dB, amb. 15..35°C)	Input 6 div. sine-wave. Deviation max. 5MHz for ambient 0 ... 50°C
* Bandwidth for 2 mV, 5 mV and 10 mV	> 35 MHz	Input 6 div. sine-wave.
* Rise-time	7 ns or less	Calculated from 0,35/f-3 dB
* Noise 20 mV...10 V	< 0,5 sd	Measured visually. Pick up on open BNC excluded.
* Lower - 3 dB point	< 10 Hz	In AC position, 6 div. sine-wave
* Dynamic range @ 1 MHz @ 50 MHz	+/- 12 div. > 8 div.	Vernier in CAL position. Vernier in CAL position.
* Position range	> +/- 8 div.	Vernier in CAL position.
* Cross talk between channels @ 10 MHz @ 50 MHz	1 : > 100 1 : > 50	Both channels same attenuator setting. Input max. 8 div. sine-wave. 2, 5 and 10 V are excluded. 2, 5 and 10 V are excluded.
* Common Mode Rejection Ratio @ 1 MHz	1 : > 100	Both channels same attenuator setting, vernier adjusted for best CMRR; measured with max. 8 div. (+/- 4 div.) each channel.
* Visible signal delay	> 15 ns	Max. intensity, measured from line start to trigger point.

CHARACTERISTICS	SPECIFICATION	ADDITIONAL INFORMATION
* Base-line jump: between attenua- tor steps 20 mV...10 V	< 1 sd	
Additional jump between 10 mV <---> 20 mV	< 1,5 sd	
Normal Invert jump	< 1 sd	Only channel B.
ADD jump	< 0,6 div.	When A and B are positioned in screen centre (20 mV...10 V). Max.jump in any two positions of the VARIABLE control.
Variable jump	< 1 sd	

2.3 HORIZONTAL DEFLECTION OR X AXIS

2.3.1 Time Base

* Time coeff.	0,5 s...50 ns	1, 2, 5 sequence (magn.off)
Error limit	+/-3 %	Measured at -4...+4 div. from screen centre.
* Horizontal posi- tion range	Start of sweep and 10th div. must be shifted over screen centre	
* Variable control ratio	1 : > 2,5	
* Time Base mag- nifier	Expansion x10	Not valid in X-deflection.
Error limit	+/-4 %	Measured at +4...- 4 div. from screen centre. Excluding first 50 ns and last 50 ns.
* Horizontal mag- nifier balance x10 ---> x1	< 2,5 sd	Shift start of sweep in x10 in mid-screen position, then switch to x1.
* Hold-Off Minimum to maxi- mum hold-off time ratio	1 : > 10	Minimum hold off time is rela- ted to time base setting.

CHARACTERISTICS	SPECIFICATION	ADDITIONAL INFORMATION
2.3.2	X-deflection	
* Deflection coeff.		
Via channel A or B	2 mV/div...10 V/div	1, 2, 5 sequence.
Via EXT input	100 mV/div.	
* Error limit		
Via channel A or B	+/- 5%	
Via EXT input	+/- 5%	
* Bandwidth	DC > 2 MHz	DC coupled
* Phase shift between X and Y-deflection	< 3° @ 100 kHz	DC coupled
* Dynamic range	> 24 div. DC... 100 kHz	DC coupled
2.3.3	EXT input	
* Input impedance	1 M ohm +/- 2%	$f_o < 1$ MHz
Paralleled by	20 pF +/- 2 pF	$f_o < 1$ MHz
 * Max. input voltage	400 V (d.c. + a.c. peak)	
Max. test voltage (rms)	500 V	Max. duration 60 s.
* Lower - 3 dB point	< 10 Hz	AC coupled
2.4	TRIGGERING	
* Trig. mode		
AUTO (auto free run)	Bright line in absence of trigger signal	Auto free run starts 100 ms (typ.) after no trig.pulse.
TRIGgered		Switches automatically to auto free run if one of the display channels is grounded.
SINGLE		In multi-channel mode (alternated) each channel is armed after reset; if sweep has already started, sweep is not finished. Not applicable in peak-to-peak coupling.
* Trigger source		
A, B, Composite (A/B), EXT, Line		Line trigger source always triggers on mains frequency. Line trigger amplitude depends on line input voltage. Approx. 6 div. @ 220 VAC input voltage.

CHARACTERISTICS	SPECIFICATION	ADDITIONAL INFORMATION
* Trigger coupling Peak-to-peak (p-p), DC, TVL, TVF		
* Level range Peak-to-peak:	Related to peak- to-peak value	p-p coupling is DC rejected.
DC internal	> (+ or - 8 div.)	
DC EXTERNAL	> (+ or - 800 mV)	
TVL/TVF	Fixed level	
* Trigger slope	+/-	Slope sign in LCD. For TVL/TVF use + or - to chose positive or negative video
* Trigger sensi- vity		
INTERNAL		
0 - 10 MHz	< 0,5 div.	Trig. coupling DC.
@ 50 MHz	< 1,0 div.	Trig. coupling DC.
@ 100 MHz	< 3,0 div.	Trig. coupling DC.
EXTERNAL		
0 - 10 MHz	< 50 mV	Trig. coupling DC.
@ 50 MHz	< 150 mV	Trig. coupling DC.
@ 100 MHz	< 500 mV	Trig. coupling DC.
TVL/F INTERNAL	< 0,7 div.	Sync. pulse.
TVL/F EXTERNAL	< 70 mV	Sync. pulse,

2.5 SIGNAL ACQUISITION

* Sampling type @10us/div ... 50s/div	Real time	
* Maximum sample rate:		Sample rate depends on time/div setting
single channel	20 Megasamples/s	
dual channel	20 Megasamples/s	
* Vertical (volta- ge) Resolution	8 bits	(=0,4% of full range of 10 div)


CHARACTERISTICS	SPECIFICATION	ADDITIONAL INFORMATION
* Horizontal (time) Resolution: in single channel acquisition: in 20us/div... 50s/div 10 us/div in dual channel acquisition 10us ...50s/div	8192 samp./ acquisition 4096 samp./ acquisition 4096 samp./ acquisition	1 Sample = 0,0125% of full record. 1 Sample = 0,024% of full record. 1 Sample = 0,024% of full record.
* Record length	20,4 x time/div	Display in unmagnified position.
* Acquisition time: real time 10us/div ... 50s/div	20,4 x time/div + 0 ... 20ms	excluding delay time
* Sources	Channel A Channel B	Channel B can be inverted before acquisition.
* Acquisition modes	1 Channel only 2 Channels	Full memory available for 1 channel. Simultaneously sampled; 2 channels share memory.

2.6 CHANNELS A AND B

* Frequency response: Lower transi- tion point of BW Input coupling in DC position Input coupling in AC position Upper transi- tion point of BW: In memory on mode (Ambient: 15 ... 35 °C)	d.c. <u><</u> 10Hz <u>></u> 10MHz(-3dB)	Deviation max. 3MHz for ambient: 0 ... 50 °C.
In memory off mode (Ambient: 15 ... 35 °C)	<u>></u> 50MHz(-3dB)	Deviation max. 5MHz for ambient: 0 ... 50 °C.

CHARACTERISTICS	SPECIFICATION	ADDITIONAL INFORMATION
* Max. base line instability: Jump (Ambient: 15 ... 35 °C): when switching to memory mode: when actuating INVertor switch between any time /div positions Drift Temperature coefficient	0,3 div 0,3 div 0,5 div 0,1 div/h <u>±</u> 0,05 div/K	Add 25% for ambient: 0 ... 50 °C. } Measured in 20 mV/div } position. }
2.7	TIME BASE	
* Modes	Recurrent Single shot Multiple shot	Up to 2 shots.
* Time coefficients: in recurrent in single shot & multiple shot error limit (Ambient 15 .. 35 °C) in real time mode up to memory	10 us/div ... 50 s/div 10 us/div ... 50 s/div <u>±</u> 1% <u>±</u> 0,1%	Add 0,5% for ambient: 0 ... 50 °C.
2.8	TRIGGER	
* Trigger delay: range accuracy	-20 ... 0 div <u>±</u> 0,3 div	Selectable in divisions.
* Trigger level view inaccuracy	<u>≤</u> 0,5 div	Indication in LCD.

	CHARACTERISTICS	SPECIFICATION	ADDITIONAL INFORMATION
2.9	MEMORY		
	* Memory size:		
	registers	2	
	register depth:		
	acquisition	8K words	
	register	8K words	
	wordlength	8 bits	
	* Functions	Clear	
		Load	Contents of acquisition are saved in register. Memory system is locked. If lock is not active the signal is written into the acquisition memory.
		Lock	
2.10	DISPLAY		
	* Sources	Channel A	}In any combination
		Channel B	
		Register A	
		Register B	
	* Display expansion horizontal	0,5x, 1x, 2x, 4x, 8x, 16x and 32x.	
	* Number of displayed samples:		
	single trace	4K/channel	
	two traces	2K/channel	
	three traces	1K/channel	
	four traces	1K/channel	
2.11	CALCULATION FACILITIES		
	* Functions	Ratio, Phase dV, dt, 1/dt	
2.12	AUTO SETTING		
	* Settling time	3s (typ.)	Auto set is done in analog mode.

CHARACTERISTICS	SPECIFICATION	ADDITIONAL INFORMATION
2.13	CURSORS	
* Horizontal resolution: in single channel mode in dual channel mode	1:1000 1:1000	Over 10 div
* Vertical resolution	1:200	8 div
* Read out resolution	3 Digits	
* Voltage cursors: error limit amb. 15 ... 35 °C	<u>+3%</u>	Referred to input at BNC, error of probes etc. excluded. Add 3% for ambient 0 .. 40 C.
cursor range	Full range	Cursors can not pass not each other. X-position is neglected.
* Time cursors error limit	<u>+0,1%</u>	
2.14	POWER SUPPLY	
 * Line voltage a.c. Nominal Limits of operation	100...240 V 90...250 V	One range.
* Line frequency Nominal Limits of operation	50...400 Hz 43...445 Hz	
* Safety requirements within specification of: IEC 348 CLASS I UL 1244 VDE 0411 CSA 556 B		
* Power consumption (a.c. source)	55W nominal	At nominal source voltage

CHARACTERISTICS	SPECIFICATION	ADDITIONAL INFORMATION
2.15	SUNDRIES	
* Z-MODulation		TTL-compatible.
ViH	> 2,0 V	Blanks display.
ViL	< 0,8 V	Max. intensity
		Analog control between ViH and ViL is possible.
* CAL output		To calibrate drop or tilt of probes.
Output voltage	1,2 V +/- 1%	Rectangular output pulse.
Frequency	2 kHz	
The output may be short-circuited to ground.		
* Data and settings retention:		When instrument is switched off or during mains failure. The oscilloscope settings and traces are saved before instrument goes down.
memory back-up voltage	2V ... 3,5V	
memory back-up current drain recommended batteries:	Typical 100uA	@25 °C.
type	LR 6	According to IEC285 (=Alkaline Manganese Penlight Battery) e.g. PHILIPS LR 6.
quantity	2 pcs	Delivered with the instrument.
temperature rise of batteries	20K	After warming up period of instrument.
retention time	typical 3 years	@ 25°C, with recommended (fresh) batteries.
* Temperature range	0 ... +70°C.	@ -40 ... 0 °C settings retention is uncertain. It is advised to remove batteries from instrument when it is stored during longer (24h) period below -30°C or above 60°C.
		WARNING: UNDER NO CIRCUMSTANCES BATTERIES SHOULD BE LEFT IN INSTRUMENT @ TEMPERATURES BEYOND THE RATED RANGE OF THE BATTERY SPECIFICATIONS!

CHARACTERISTICS	SPECIFICATION	ADDITIONAL INFORMATION
2.16	ENVIRONMENTAL CHARACTERISTICS	
<p>The environmental data mentioned in this manual are based on the results of the manufacturer's checking procedures. Details on these procedures and failure criteria are supplied on request by the PHILIPS/FLUKE organisation in your country, or by PHILIPS, INDUSTRIAL AND ELECTRO-ACOUSTIC SYSTEMS DIVISION, EINDHOVEN, THE NETHERLANDS.</p>		
* Meets environmental requirements of:	MIL-T-28800 C, type III, CLASS 5 Style D	Class 5, except for operating temperature: 0 ... 40°C. Style D, except for front cover.
* Temperature:		Memory back-up batteries removed from instrument, unless batteries meet temperature specifications (see also 2.15).
operating:		
min. low temperature	0 °C	Cf. MIL-T-28800 C parr. 3.9.2.3. tested cf. par. 4.5.5.1.1.
max. high temperature	+50 °C	Cf. MIL-T-28800 C parr. 3.9.2.4. tested cf. par. 4.5.5.1.1.
non-operating (storage):		
min. low temperature	-40 °C	Cf. MIL-T-28800 C parr. 3.9.2.3. tested cf. par. 4.5.5.1.1.
max. high temperature	+75°C	Cf. MIL-T-28800 C parr. 3.9.2.4. tested cf. par. 4.5.5.1.1.
* Max. humidity operating non-operating	95% RH	+10...30°C
* Max. altitude:		MIL-T-28800 C par. 3.9.3. tested, par. 4.5.5.2.
operating	4,5 km (15000 feet)	Maximum. Operating Temperature derated 3°C for each km, for each 3000 feet, above sea level.
non-operating (storage)	12 km (40 000 feet)	

CHARACTERISTICS	SPECIFICATION	ADDITIONAL INFORMATION
* Vibration (operating)		MIL-T-28800 C par. 3.9.4.1. tested, par. 4.5.5.3.1.
Freq. 5...15 Hz		
Sweep Time	7 min.	
Excursion (p-p)	1,5 mm	
Max Acceleration	7 m/s ² (0,7 x g)	@ 15 Hz
Freq. 15...25 Hz		
Sweep Time	3 min.	
Excursion (p-p)	1 mm	
Max Acceleration	13 m/s ² (1,3 x g)	@ 25 Hz
Freq. 25...55 Hz		
Sweep Time	5 min.	
Excursion (p-p)	0,5 mm ²	
Max Acceleration	30 m/s ² (3 x g)	@ 55 Hz
Resonance Dwell	10 min.	@ each resonance freq. (or @ 33 Hz if no resonance was found). Excursion, 9.7.1. to 9.7.2.
* Shock (operating)		MIL-T-28800 C par. 3.9.5.1. tested, par. 4.5.5.4.1.
Amount of shocks total	18	
each axis	6	3 in each direction.
Shock Wave-form	Half sine-wave	
Duration	11 ms	
Peak Acceleration	300 m/s ² (30 x g)	
* Bench handling		MIL-T-28800 C par. 3.9.5.3. tested cf. par. 4.5.5.4.3.
Meets requirements of	MIL-STD-810 method 516, proced. V	
* Salt Atmosphere		MIL-T-28800 C par. 3.9.8.1 tested, par. 4.5.6.2.1.
Structural parts meet requirements of	MIL-STD-810 method 509, proced. I salt solution 20%	
* EMI (Electronic Magnetic Interference)		
meets requirements of	MIL-STD-461 CLASS B	Applicable requirements of part 7 : CE03, CS01, CS02, CS06, RE02, RS03
	VDE 0871 and VDE 0875 Grenzwert-klasse B	

CHARACTERISTICS	SPECIFICATION	ADDITIONAL INFORMATION
2.17	SAFETY	
	* Meets requirements of	IEC 348 CLASS I VDE 0411
		Except for power cord, unless shipped with Universal European power plug.
		UL 1244 CSA 556 B
		Except for power cord, unless shipped with North American power plug.
2.18	OPTIONAL VERSIONS	
	* General	These options can be factory installed only.
	* Power cord	Length 2,1 m (82,7 in)
		Universal European North American United Kingdom Australian Swiss
		VDE, KEMA listed (option .01) CSA, UL listed (option .03) BSI listed (option .04) SAA listed (option .08) SAV listed (option .05)
	* Cabinet	Rack mount
		PM3337 PM3337/40. with IEEE+RS232- interface installed.
	* Interface	IEEE-488/IEC-625 including RS 232-C
		Option 40. Dump to plotters: PM 8153/1, PM 8153/6, PM 8154, PM 8155, HP 7475A and HP 7550. Dump to printers: FX80 and HP 2225 Thinkjet.
		RS 232-C dump only
		Option 50. Dump to plotters: PM 8153/1, PM8153/6, PM 8154, PM 8155, HP 7475A and HP 7550. Dump to printers: FX80 and HP 2225 Thinkjet.

3. INTRODUCTION TO CIRCUIT DESCRIPTION AND BLOCK DIAGRAM DESCRIPTION

3.1 INTRODUCTION TO CIRCUIT DESCRIPTION

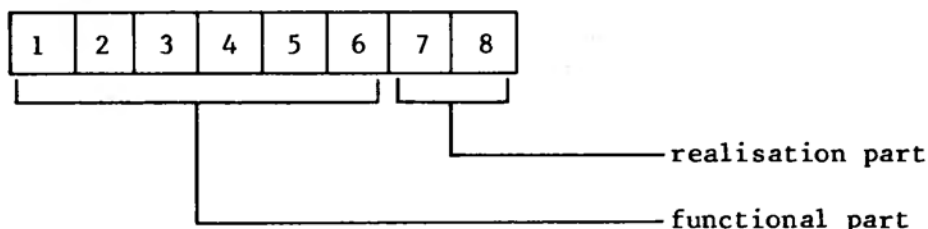
3.1.1 General

The functioning of the circuits is described per printed-circuit board (p.c.b.). For every p.c.b. (unit) a separate chapter is available containing the lay out of the p.c.b., the associated circuit diagram(s) the circuit description and a signal name list.

3.1.2 Explanation of signal name set-up

Signal name consists of two parts:

- a functional part of maximal 6 characters
- a realisation part of 2 characters



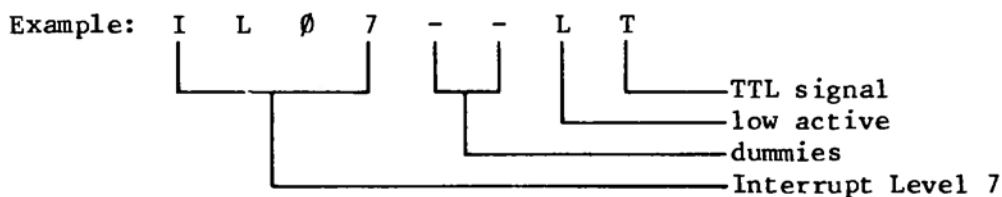
The realisation part is optional. If it is used then the functional parts should consist of 6 characters. If necessary dummies (minus sign) are used in the functional part, to make it 6 characters long.

The first character of the realisation part has the following meaning:

- H: active high signal
- L: active low signal
- X: irrelevant (e.g. counter outputs)

The second character of the realisation part is used to identify signal levels:

- A: analogue
- C: CMOS 12 V or 15 V
- D: CMOS 5 V
- E: ECL -4,5 V or -5,2 V
- T: TTL 5 V or HCT



Sometimes the functional part can also be used for a serial number e.g. to indicate a buffered version of a signal.

Example: CHPT-- \emptyset 1

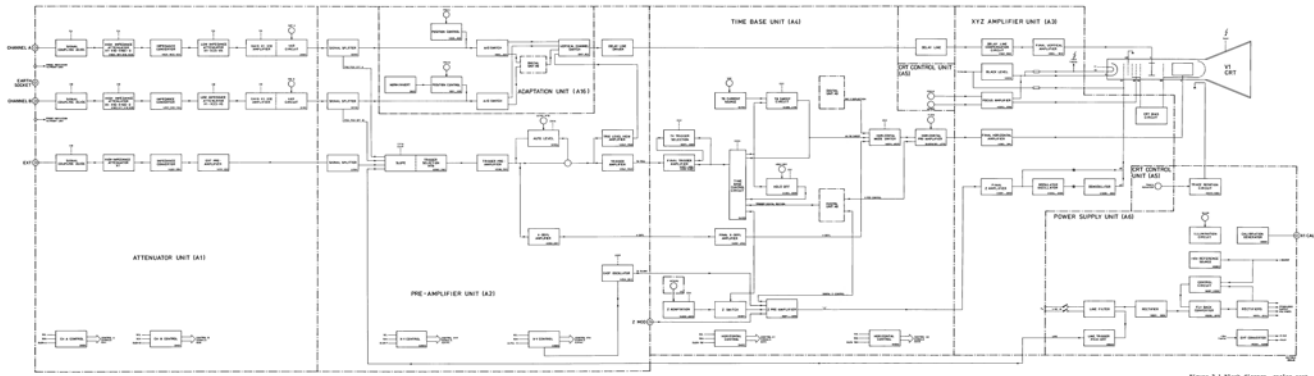


Figure 3-1 Block Diagram, ending part

Signal name list:

The description of the digital unit A9 contains a list with the signal names used in that unit given in alphabetical order. After each name, a short signal description is given and also the signal source and the signal destination(s).

Only if the signal is generated on the unit itself, are the other units on which the signal is used (signal destination(s)) mentioned, otherwise a minus sign is filled in.

A number of power supply lines and ground lines are not mentioned on the signal name lists because they appear very often and because their function is obvious.

3.1.3 Location of electrical parts

The item numbers of C...., R...., V...., N...., D.... and K.... have been divided into groups which relate to the circuit and the printed-circuit board according to the following table:

<u>Item number</u>	<u>Unit no.</u>	<u>Printed-circuit board</u>
1000-1999	A1	Attenuator unit
2000-2999	A2	Pre-amplifier unit
3000-3999	A3	XYZ amplifier unit
4000-4999	A4	Time base unit
5000-5999	A5	CRT control unit
6000-6999	A6	Power-supply unit
7000-7999	A7	Front unit
8000-8999	A8	LCD unit
9000-9999	A9	Digital unit
600- 699	A16	Adaptation unit

3.2 BLOCK DIAGRAM DESCRIPTION (see figure 3.1 and 3.2)

3.2.1 Introduction

This block diagram description is based around all the important functional blocks and their interconnections. In order to assist in cross-reference with the circuit diagrams, the blocks include the item numbers of the active components they contain.

Furthermore, the blocks are grouped together per printed-circuit board, or a part of it. To facilitate reference, the names of the functional blocks are given in text in CAPITALS. Signal waveforms are also indicated at block interconnections where useful.

In this instrument almost all the switches (UP-DOWN controls, softkeys and potentiometer UNCAL switches) influence the oscilloscope circuits via a microprocessor (uP) system.

3.2.2 Attenuator unit (unit A1)

The vertical channels A and B for the signals to be displayed are identical. Each channel comprises an input SIGNAL COUPLING for AC/DC, a HIGH IMPEDANCE ATTENUATOR which gives signal attenuation of x1-x10 or x100, an IMPEDANCE CONVERTER, a LOW IMPEDANCE ATTENUATOR which gives signal attenuation of x1-x2,5 or x5 and a GAIN x1-x10 AMPLIFIER block, incorporated with the CONTINUOUS CIRCUIT. This block has a variable gain, influenced by the front-panel VAR control. The gain is also increased by x10 in order to obtain 2-5 and 10mV settings.

Similar to the vertical channels, the external channel attenuator also has an input SIGNAL COUPLING, HIGH IMPEDANCE ATTENUATOR and IMPEDANCE CONVERTER in line. However, the external channel has only x1 attenuation and no LOW IMPEDANCE ATTENUATOR. The output of the external channel is fed to both MTB and DTB EXT PRE-AMPLIFIERS.

All blocks that are capable of working in different modes are controlled by the control A or control B signals. These signals are generated by the CH.A CONTROL or CH.B CONTROL blocks under influence of the SDA and SCL signals that come from the MICROPROCESSOR.

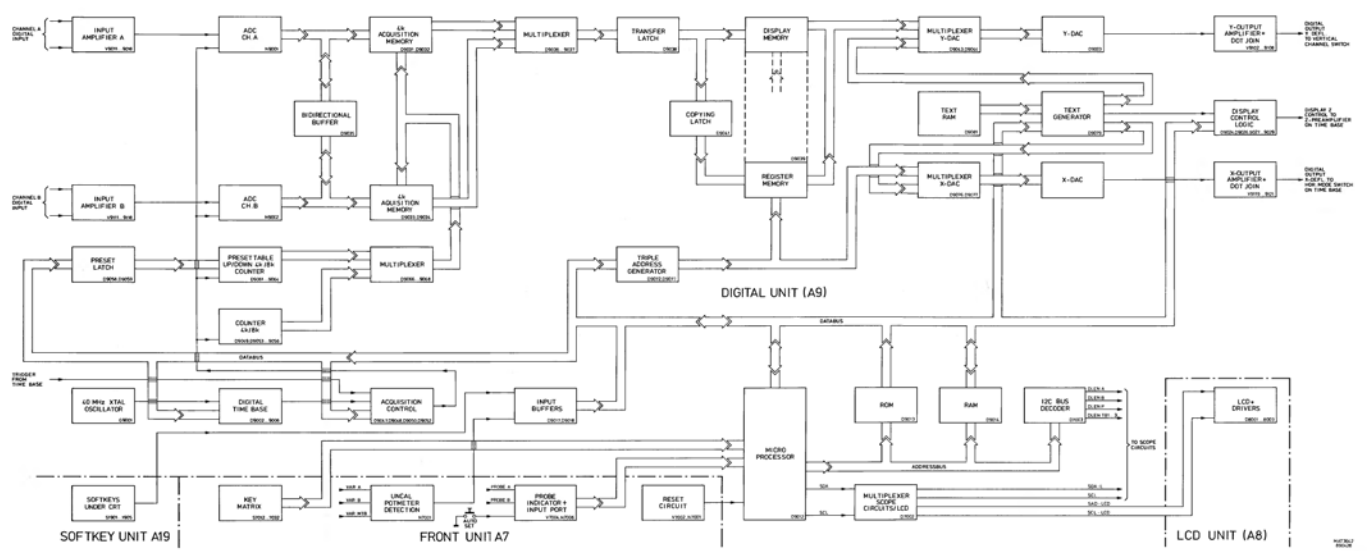


Figure 3.2 Block diagram, digital part

3.2.3 Pre-amplifier unit and adaptation unit (unit A2 and A16)

The pre-amplifier unit incorporates the signal splitters for the vertical channels A and B, the trigger level view amplifier, the trigger circuits for the time base and the chopper oscillator circuit. Next the adaptation unit is mounted as a separate p.c.b. on the pre-amplifier unit. All these functions are controlled by the control XYP and XYA signals, generated by the X-Y CONTROL blocks under influence of the SDA and SCL signals from the MICROPROCESSOR.

* Vertical channels A and B:

Both channels are completely identical and receive their input signals from the ATTENUATOR UNIT. This signal is applied to the SIGNAL SPLITTER, which has two outputs:

- one output is applied to the SLOPE/TRIGGER SELECTION for the time base triggering.
- A second output is routed to the adaptation unit.

On the adaptation unit, vertical shift of the displayed signal is achieved by the front-panel POSITION control.

Switching between the real time path and the digital storage path is obtained in the A/D SWITCH block. The digital circuit is given in figure 3.2 and described separately.

Next, the output of the VERTICAL CHANNEL SWITCH is routed via the DELAY LINE DRIVER to the DELAY LINE.

The TRIGGER LEVEL VIEW channel enables display of the time base trigger level and can be used to determine the trigger point of the signal.

* Trigger circuit:

The SLOPE/TRIGGER SELECTION block receives a trigger signal from one of the vertical channels A or B, from the EXT SIGNAL SPLITTER or from the LINE TRIGGER PICK-OFF.

Inverting of the trigger signal is controlled by the CXYA signals INVAM and INVBM to obtain the slope function.

Routed via the TRIGGER PRE-AMPLIFIER, block the signal is split up into different paths:

- after summation of the LEVEL signal, direct to the TRIGGER AMPLIFIER
- to the AUTO LEVEL block. This block contains the different trigger facilities and levelling of the trigger signal is influenced by the front-panel LEVEL control. The output of this path is routed again to the summation point to influence the direct trigger signal.
- to the X-DEFL AMPLIFIER for X-deflection facility. This block incorporates a phase correction circuit for the X-Y display.

The TRIGGER AMPLIFIER feeds the trigger signal to the time-base unit. The trigger signal from the summation point is also routed via the TRIGGER LEVEL VIEW AMPLIFIER to the vertical CHANNEL SWITCH stage to display the trigger point.

* Chopper oscillator circuit:

A square-wave signal for chopper blanking and vertical switching is generated in the CHOP OSCILLATOR. For chopper blanking the signal is routed to the Z PRE-AMPLIFIER on the time-base unit.

3.2.4 Time-base unit (unit A4)

This unit incorporates the time-base (TB), the horizontal amplifier and the Z amplifier circuit. All functions are controlled by the CX1 and CX2 signals, generated by the HORIZONTAL CONTROL CIRCUIT blocks.

* Time-base (TB):

The trigger signal can be either routed via the FINAL TRIGGER AMPLIFIER to the TIME-BASE CONTROL CIRCUIT or first routed via the TV TRIGGER SELECTION for the TV trigger coupling. When in the AUTO mode, in the absence of trigger signals, the time base will be free running.

The CURRENT SOURCE applies the sawtooth charging current to the sweep circuit. This block generates the time base sawtooth signal, which is routed to the HORIZONTAL DISPLAY MODE SWITCH..

The HOLD OFF and the DIGITAL UNIT blocks are also under control of the TIME BASE CONTROL CIRCUIT. Hold off time is varied by the front-panel HOLD OFF control. The output of the HOLD OFF block is routed to the TIME-BASE CONTROL CIRCUIT again. The signal going to the DIGITAL UNIT triggers the digital signal acquisition.

The ALTCLN-pulse is applied to the PRE-AMPLIFIER UNIT.

3.2.5 XYZ unit (unit A3)

This unit comprises the final amplifiers for the vertical (Y) and horizontal (X) deflection and for the blanking (Z) circuit. In addition to this, the CRT control circuits are also incorporated in the unit.

* Final vertical amplifier:

The output signal from the pre-amplifier unit is first routed via the DELAY LINE to give sufficient delay to ensure that the steep leading edges of fast signals are displayed and then fed to the DELAY LINE COMPENSATION. This block compensates the signal for distortion originating in the DELAY LINE before it is applied to the FINAL VERTICAL AMPLIFIER. The output of the FINAL VERTICAL AMPLIFIER feeds the vertical deflection plates of the CRT.

* Final horizontal amplifier:

The horizontal deflection signal is routed to the FINAL HORIZONTAL AMPLIFIER, the output of which feeds the horizontal deflection plates of the CRT.

* Blanking circuit:

The output signal from the Z PRE-AMPLIFIER of the time-base unit, that determines trace blanking or unblanking and modulation is routed to the FINAL Z-AMPLIFIER. After amplification the blanking signal is split into two paths:

- the h.f. signals are fed via a high voltage capacitor to grid G1 of the CRT.
- the l.f. signals are used to modulate the amplitude of an oscillator wave-form, which then passes via another high voltage capacitor and is demodulated in the DEMODULATOR block to retrieve the original signal.

Note that the original h.f. and l.f. signals are again recombined on the grid G1.

* CRT control circuits:

The FOCUS AMPLIFIER block is influenced by both front-panel FOCUS and INTENS controls to provide a focus that is independent of the intensity, and drives the focusing grid G3 of the CRT.

The -100 V BLACK LEVEL block provides the correct presetting of the cathode voltage.

The CRT BIAS gives a d.c. voltage to the grids G4 and G5 to provide an optional adjustment for geometry and astigmatism.

3.2.6 Power supply unit

The mains input voltage is filtered and then applied to the RECTIFIER block to obtain a d.c. voltage source. Another output of the LINE FILTER block is routed via the LINE TRIGGER PICK-OFF and serves as a MTB LINE trigger signal. The rectified mains source is routed to the FLYBACK CONVERTER, which generates the necessary voltages for the oscilloscope circuits. Each supply voltage is rectified in the RECTIFIERS block.

The LOW-voltage supplies are stabilized by the CONTROL circuit to the converter.

The +10 V REF supply serves as a low-voltage reference and is generated in the +10 V REFERENCE source block. This reference voltage is also fed to the different circuits on the power supply or in the oscilloscope.

The EHT CONVERTER generates the -14 kV for the post-accelerator anode of the CRT and the -2 kV for the cathode circuits.

* Auxiliary circuits:

The CALIBRATION GENERATOR generates the CAL voltage, which is applied to the output socket X1. The CAL voltage has a square-wave of 1,2 V p-p level with a frequency of 2 kHz.

The ILLUMINATION CIRCUIT determines the amount of current passed to the graticule illumination lamp of the CRT, controlled by the ILLUM control on the front-panel.

The TRACE ROTATION CIRCUIT determines the strength and sense of the current passed to the trace rotation coil around the neck of the CRT. The current is influenced by the front-panel screwdriver-operated TRACE ROT control.

3.2.7 Digital memory and control circuits (unit A7, A8, A9 and A19)

Introduction.

The blockdiagram of the digital sections can roughly be split up into three main parts. These parts are:

- Signal acquisition: this section captures signal samples and places them in the acquisition memories.
- The memory and display part are used to store the signal and to display it on the CRT screen.
- The control section that is based upon a microprocessor takes care that the signal display and acquisition function correctly. Moreover it reads all the instrument's knobs and controls all analog and digital circuits.

The digital parts are mainly concentrated on the large digital unit A9. A small part is present on the front unit A7 and the LCD unit A8. The softkey unit A19 is located under the CRT and only incorporates five softkeys.

Signal acquisition.

The channel A(B) signals that are coming from the adaptation unit A16 are applied to the INPUT AMPLIFIERS A(B). These blocks feed the analog-to-digital converters ADC CHANNEL A and ADC CHANNEL B. The digitised signals of channel A and B can be loaded into two 4K ACQUISITION MEMORY blocks. In case of dual channel mode, each channel is loaded into one 4K memory. In case of single channel operation, the full 8K memory capacity is available for one channel. The BIDIRECTIONAL BUFFER makes it possible that the ADC-output of the selected single channel can reach the input of both 4K memories.

The addresses for the two 4K ACQUISITION MEMORIES are originating from two counters. COUNTER 4K/8K is only able to count upwards and has a range of 4K or 8K addresses. The PRESETTABLE UP/DOWN COUNTER has also a range of 4K/8K. It can also count up or down and can be preset by the MICROPROCESSOR via the block PRESET LATCH. Depending on the state of the MULTIPLEXER, the address of one of the two counters is addressing the 4K ACQUISITION MEMORIES. The possible modes are explained more in depth during the circuit description; also the trigger delay mode is explained then.

The acquisition of signal samples is synchronised by the DIGITAL TIME BASE circuit. This circuit is based upon a 40MHz XTAL OSCILLATOR that is followed by the DIGITAL TIME BASE. The DIGITAL TIME BASE is put in the appropriate position via the ADDRESSBUS of the MICROPROCESSOR. The output signal of the DIGITAL TIME BASE is applied to the ACQUISITION CONTROL block. Also this block is controlled by the MICROPROCESSOR and it takes care that the ADC's take signal samples at the correct moment and that these samples are placed in the appropriate part of the ACQUISITION MEMORIES. The trigger pulse that originates from the TIME BASE is also applied to the ACQUISITION CONTROL.

Memory section and display part.

The contents of the two 4K ACQUISITION MEMORIES can be transferred to the DISPLAY MEMORY. This happens at a particular moment after a trigger. The transfer occurs via the TRANSFER LATCH. The contents of the DISPLAY MEMORY can be copied via the COPYING LATCH into the REGISTER MEMORY. This last memory can be used to store waveforms for reference purposes.

The addressing of the DISPLAY MEMORY and the REGISTER MEMORY is done by the TRIPLE ADDRESS GENERATOR. This block is controlled by the MICROPROCESSOR and contains three separate address generators. They have the following purposes:

- The addressing of the display memory during the information transfer from ACQUISITION MEMORIES to the DISPLAY MEMORY.
- The addressing of the DISPLAY/REGISTER MEMORY during the transfer of information between these memory blocks.
- The addressing of the DISPLAY and REGISTER MEMORY during the display on the CRT screen of their contents. The contents of the addressed memory locations is applied to the vertical Y DAC and then to the Y OUTPUT AMPLIFIER. The address itself is applied to the horizontal X DAC and then to the X OUTPUT AMPLIFIER.

The X and Y OUTPUT AMPLIFIERS also incorporate a DOT JOIN facility. This means in the DOT JOIN mode a decrease of the speed of these amplifiers because a low pass filter is added. This has the result that the move from one dot to the next one is smoothed.

The input of the Y DAC and the X DAC are connected with two-position multiplexers. They are named MULTIPLEXER Y DAC and MULTIPLEXER X DAC. In one position of the multiplexer, the contents of the DISPLAY/REGISTER MEMORY is displayed. In the other position text and cursors are displayed: this is generated by the TEXT GENERATOR. This block is integrated in one IC. The kind of text to be generated is given by the MICROPROCESSOR. This text is stored into the TEXT RAM (Random Access Memory) that belongs to the TEXT GENERATOR.

Control section.

The heart of this part is formed by the MICROPROCESSOR with belonging ROM (Read Only Memory) and RAM (Random Access Memory). Via the block INPUT BUFFERS, the MICROPROCESSOR reads the softkeys under the CRT and also the UNCAL position of VARIABLE A, VARIABLE B and VARIABLE MTB. The MICROPROCESSOR directly reads the KEY MATRIX at the front unit A7. The RESET CIRCUIT on unit A7 initiates the MICROPROCESSOR when switching the power on.

The MICROPROCESSOR controls many circuits inside the oscilloscope. The blocks on the digital unit that are under control of the MICROPROCESSOR are already explained. They are all connected with the databus or parts of it. Also the LCD and the analog scope circuits are under microprocessor control. For this purpose the so-called I2C bus is used. This is a bus consisting of two signal wires: the data line SDA (Serial DATA) and the synchronisation line SCL (Serial Clock). The I2C bus lines are switched to either the LCD (as SDA-LCD and SCL-LCD) or the analog scope circuits. This selection is made via the MULTIPLEXER SCOPE CIRCUITS/LCD. The analog scope circuits incorporate many control blocks that are all connected to the SDA and SCL lines of the I2C bus. The control blocks are separately addressed via the I2C BUS DECODER. If e.g. output DLEN A (Data Latch ENable A) is active, the control block of channel A on the attenuator unit accepts the data from SDA/SCL. The result is for instance that the channel A attenuator switches to another input sensitivity. Identical to this the signals DLEN B, DLEN P and DLEN TB 1...3 activate the control blocks on respectively the channel B attenuator, the preamplifier and the time base.

4. ATTENUATOR UNIT (A1)

4.1 VERTICAL ATTENUATORS

The A and B channel attenuators are identical: therefore only channel A is described.

All relay and FET switches are controlled by the microcomputer via the I²C bus. The IC D1001 converts this serial DATA into the parallel control signals for all relay or FET switches. A list of the control lines for all attenuator settings is given in the table below.

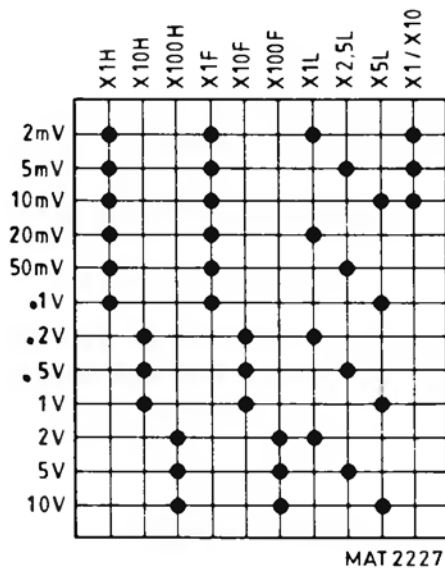


Figure 4.1 Table of attenuator settings

The channel A attenuator consists of in five stages:

Input coupling, where depending on the relay K1001 position, the input signal can either be d.c.-coupled (relay activated) or a.c.-coupled (relay not activated).

High impedance attenuator with three attenuator stages for the x1, x10 and x100 attenuation. The l.f. part of each stage is split via a resistor divider and routed via N1001 and V1019 to the output of this stage, where it is re-connected with the h.f. part of the input signal. Potentiometers R1036 (TRACE jump) serves as a offset compensation for N1001.

	RELAY	FET	TRIMMER FOR L.F. SQUARE WAVE	L.F. RESISTOR DIVIDER
x1	K1004	V1011	C1033	--
x10	K1003	V1006	C1029	R1007-R1011
x100	K1002	V1003	C1023	R1019-R1004

Note that, when "0" (GND-A) is selected, the output is connected to ground via FET V1016 and all other relay- and FET switches are switched off.

The impedance converter serves as an inverting buffer circuit for the high impedance attenuator. For the l.f.-feedback the output signal of this stage is routed to the l.f. summation point N1001-2.

The low impedance attenuator reduces the gain by x1, x2.5 and x5, depending on which relay is activated.

	RELAY	RESISTOR DIVIDER
x1	K1006	--
x2.5	K1007	R1053 vs R1056, R1057 and R1058
x5	K1008	R1053, R1056 and R1057 vs R1058

The continuous circuit (D1061), the differential input voltages of which are fed to pins 4 and 5.

This stage comprises the following functions:

- Continuously variable control (pin 11).
- Gain x1 (pin 2 and 3) with offset adjustment R1064 and gain adjustment R1069.
- Gain x10 (pin 6 and 7) with offset adjusting R1072 and gain adjustment R1076.
- x1/x10 control (pin 10) to select the 2,5 and 10 mV/DIV settings.

The differential output current from pin 13 and pin 14 is routed via a common-base circuit V1063, V1064 and applied to the pre-amplifier unit.

4.2 EXTERNAL INPUT

The external input can be subdivided into four stages:

Input coupling, basically similar to the ch.A input coupling.

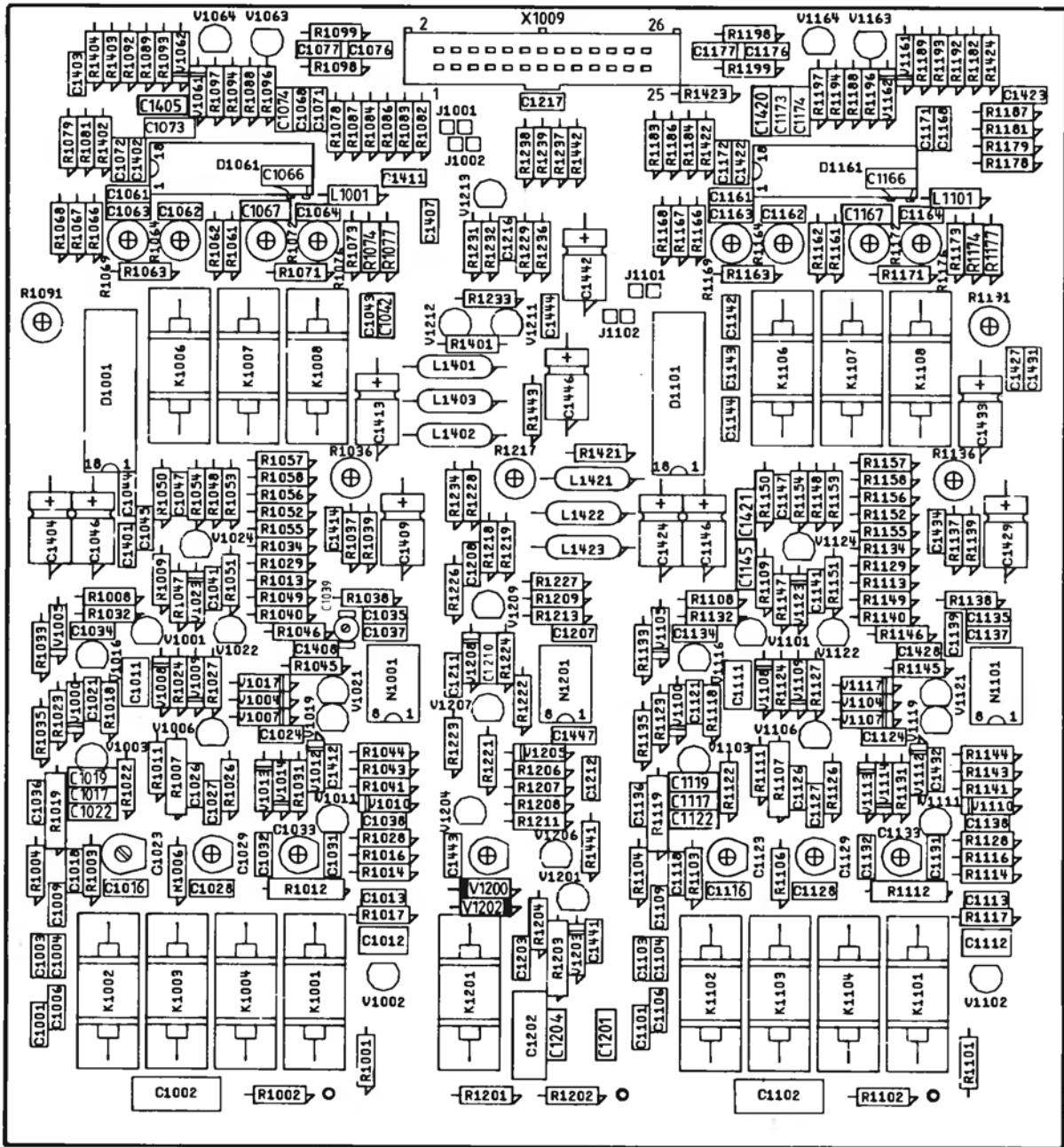
High impedance attenuator for the x1 attenuator only, where the l.f. square-wave can be adjusted with trimmer C1206. The l.f. part is routed to the summation point N1201-2. R1217 serves as an offset compensation for N1201. For l.f.-feedback the output of the impedance converter is also routed to this summation point.

Note that the output of this stage is also a reconstituted version of the input signal.

Impedance converter, is basic similar to the ch.A impedance converter.

arent

The differential amplifier V1211, V1212 converts the voltage from emitter-follower V1209 into the differential current signals EXT+ and EXT-. This signal is applied to the pre-amplifier unit and serves as external trigger signal or as an external deflection signal. The current for this stage is applied from current source V1213.



MAT3609
8904.28

Figure 4.2 Attenuator unit p.c.b.

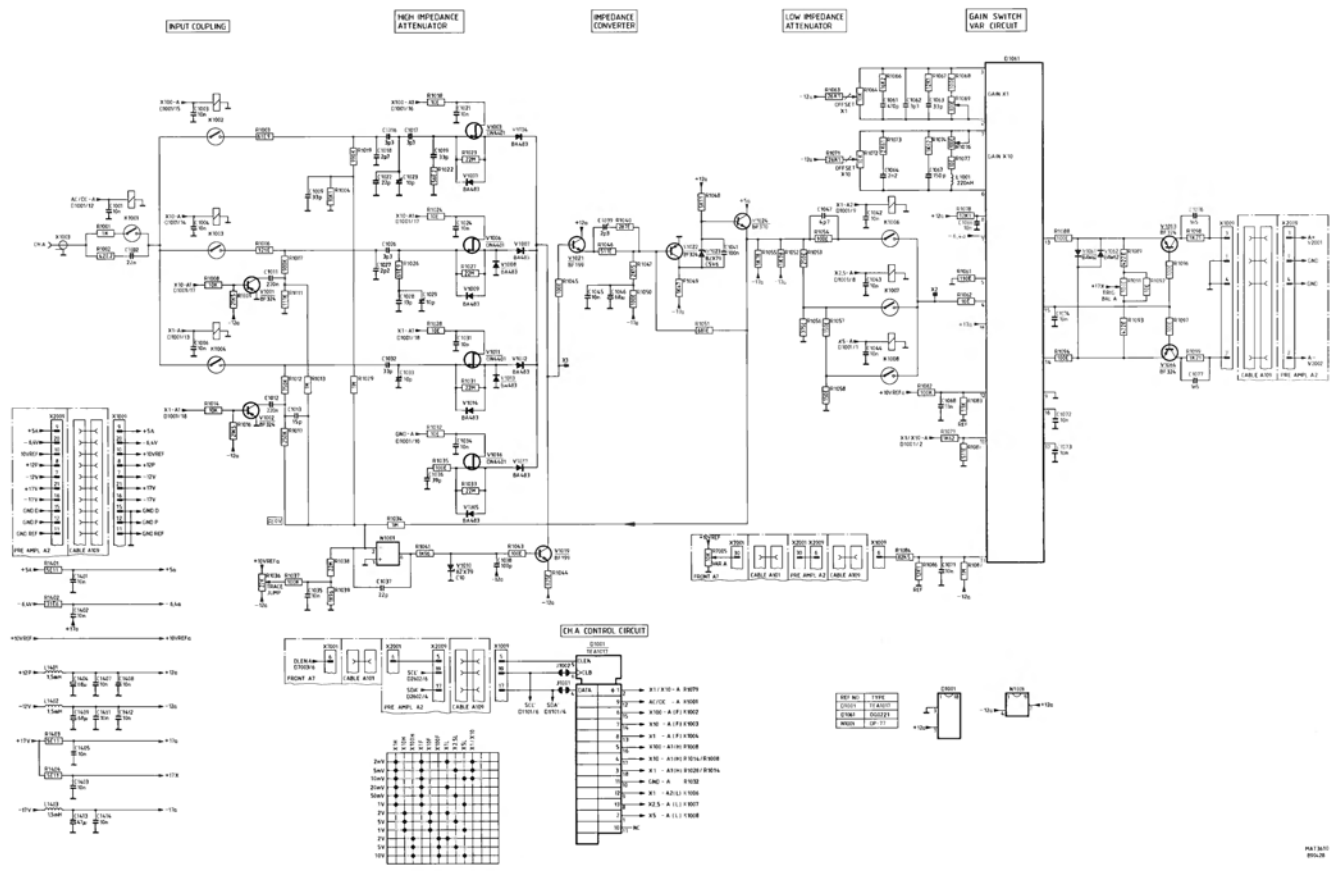


Figure 4.3 Circuit diagram of attenuator, ch.A

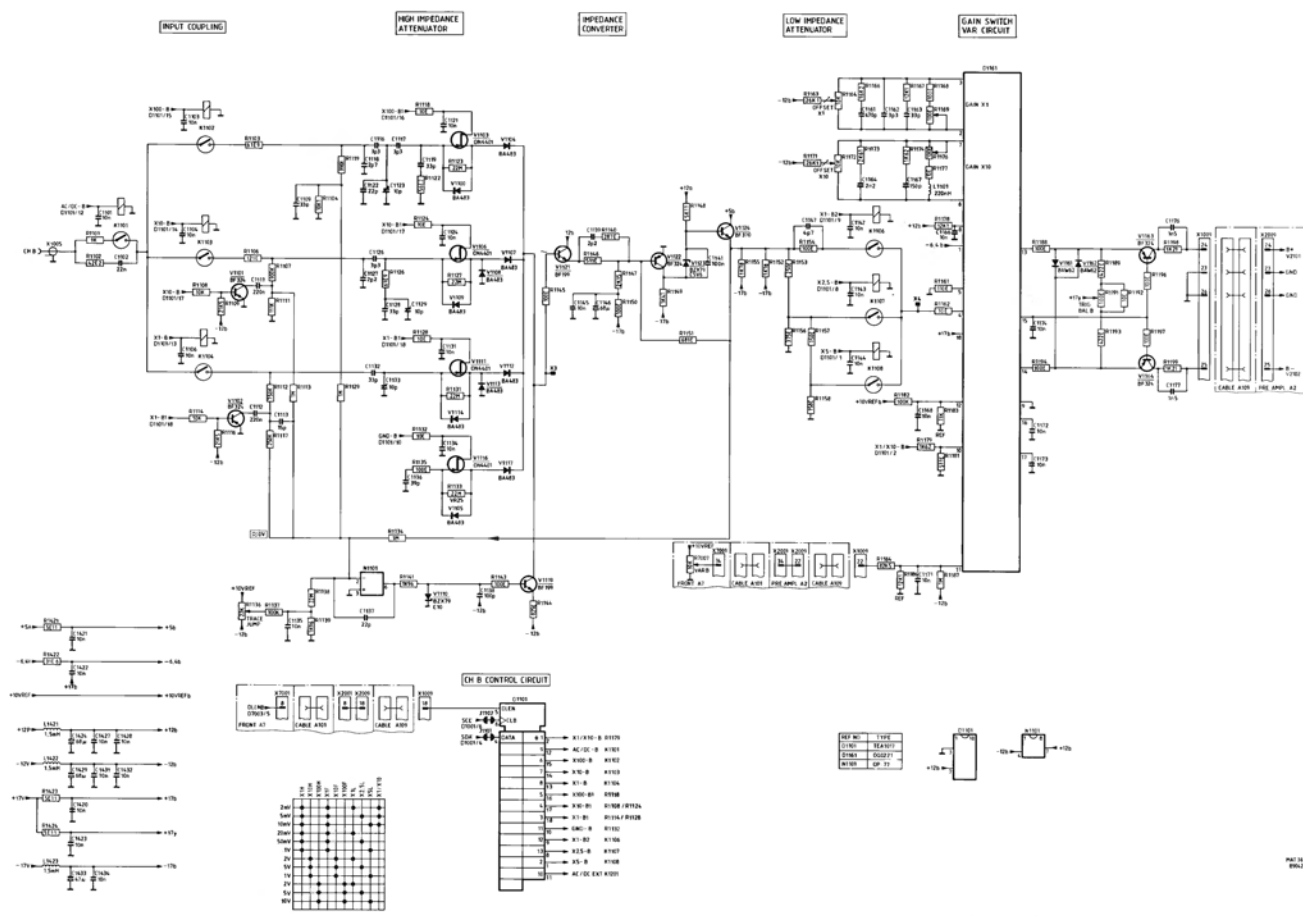
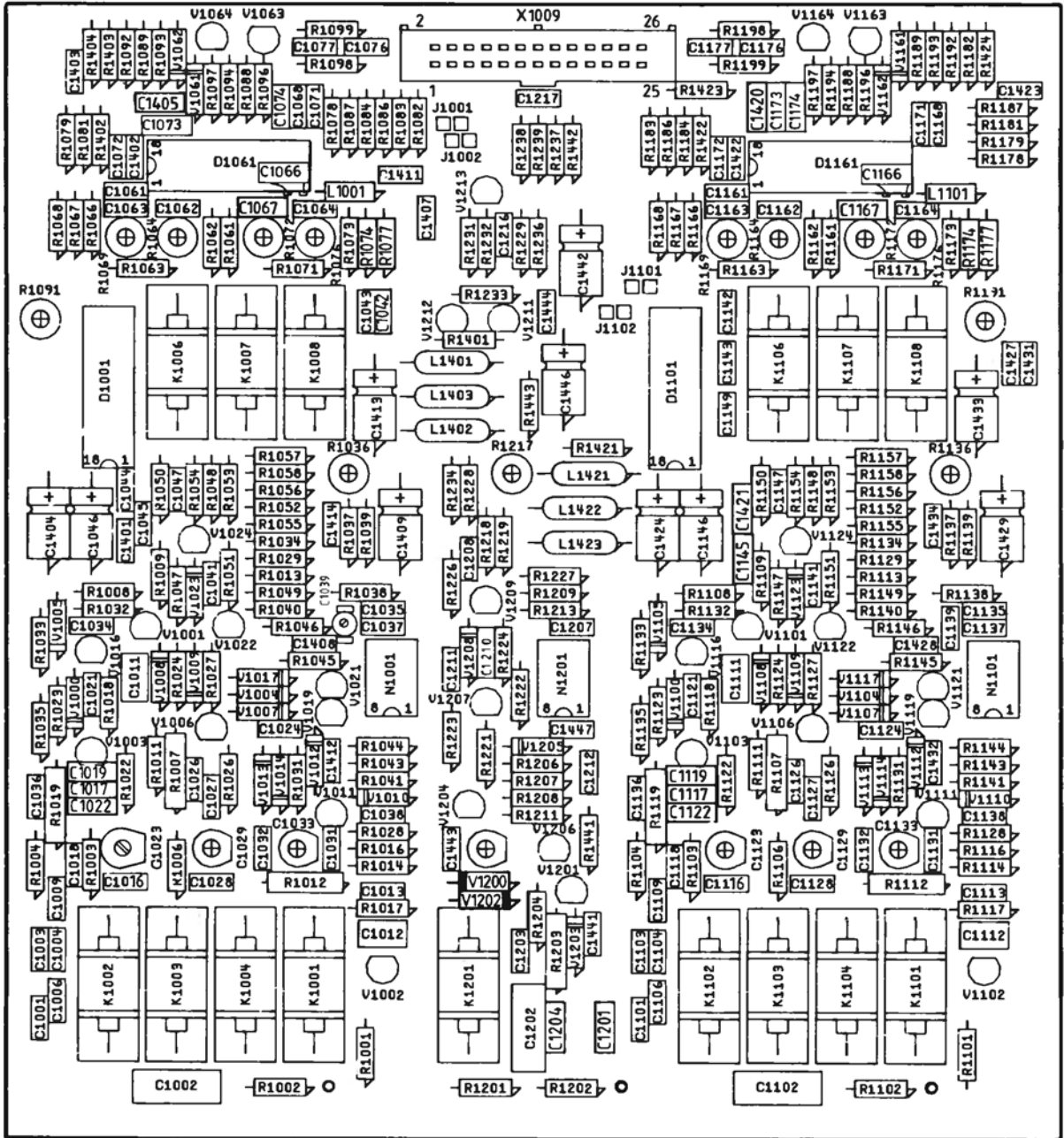


Figure 4.4 Circuit diagram of attenuator, ch.B



MAT3609
890428

Figure 4.5 Attenuator unit p.c.b.

5. PRE-AMPLIFIER UNIT (A2)

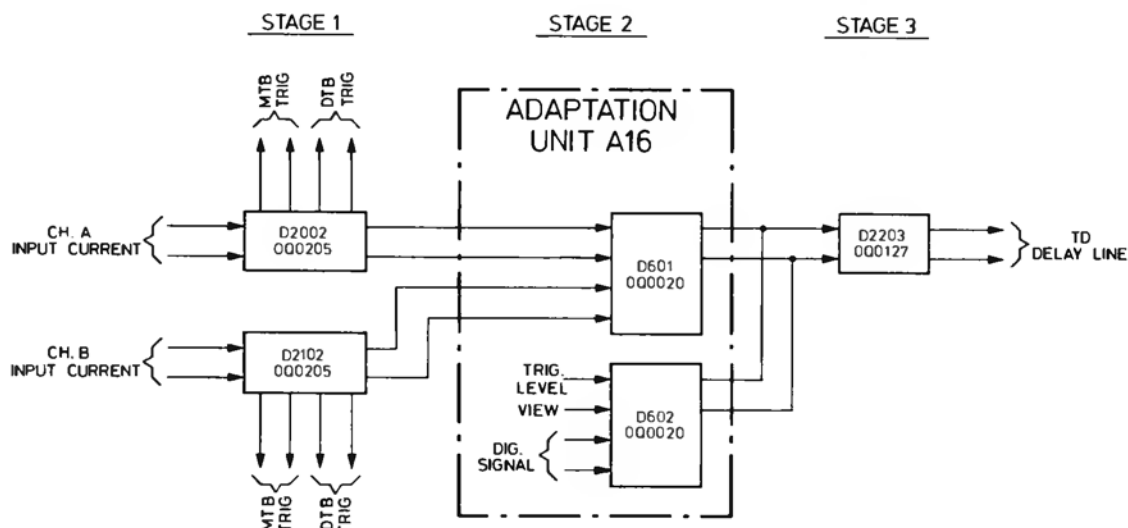
The pre-amplifier unit consists of:

- Vertical pre-amplifier
- Trigger pre-amplifier
- Pre-amplifier control, including CHOPPER oscillator

Next, the adaptation unit A16 is mounted on this board. This unit is described separately in chapter 17.

All control pulses for this unit are generated by the pre-amplifier control circuit, via the I²C bus (see Section 5.4).

5.1 VERTICAL PRE-AMPLIFIER



MAT2815
870529

Figure 5.1 The three stages of the vertical pre-amplifier

The vertical pre-amplifier consists of three stages.

The signal splitter (Q0205) receives its input signal for channel A (B) from the attenuator unit and copies this signal into two identical differential output current signals for:

- Vertical deflection (pin 7 and 10)
- Time Base triggering (pin 5 and 12), refer to section 5.2.

The output of pin 7 and 10 is applied to the adaptation unit A16.

Stage 2 (unit A16), refer to the description of A16.

Stage 3 (D2203) serves as delay line driver where the output current of both 0Q0020's is converted into voltage signal applied to the delay line. The current for this stage and for the 0Q0020's D601 and D602 on adaptation unit A16 is supplied via R2231 and R2246. The current regulation for the common-mode circuit is achieved by transistor D2203 (12, 13, 14).

5.2 TB TRIGGER PRE-AMPLIFIER

Trigger possibilities are:

	Signal		Selected by:		Inverted by:	
	name	routed to	name	routed to	name	routed to
ch. A	TRAM+, TRAM-	D2302(3,4)	AM	D2302(10)	INVAM	D2302(2)
ch. B	TRBM+, TRBM-	D2302(5,6)	BM	D2302(11)	INBVM	D2302(7)
EXTERNAL	EXT-, EXT+	D2303(3,4)	EXTM	D2303(10)	INVAM	D2303(2)
line	LINE	D2303(5)	LNM	D2303(11)	INVAM	D2303(7)

D2301 serves as a signal splitter and receives its input signal from the attenuator unit. This input current signal is copied into identical differential output current signals for EXT MTB signal (pin 6 and 11)

The symmetrical output currents from D2302 (13, 14) and D2303 (13, 14) are converted into a symmetrical voltage again in the common-base circuit V2316, V2319 followed by a shunt feedback circuit V2318 and V2321. Note that the sensitivity at the collectors of V2318 and V2321 is 110 mV/DIV.

At this point the signal path is divided into:

- a trigger path, fed to both V2333 and V2334, where depending on the current to the base, levelling of the trigger signal is obtained. Two separate series feedback circuits take care of voltage-to-current conversion:

* V2341 and V2342 for time-base triggering.

The trigger output signal, TRIGM- and TRIGM+ are fed to the time-base unit A4.

* V2347 and V2349 for trigger level view.

This symmetrical output can be balanced by potentiometer R2407.

The TRIGV+ and TRIGV- signals are fed to D602/3,4 on the adaptation unit A16.

Integrated circuit D2304 serves as an auto level circuit. The following functions are possible:

a. Peak-peak

In this case the amplitude of the trigger signal applied to D2304

(3,7) is measured by peak-peak detectors on D2304 (2,4,6,8).

The output current from D2304 (14,15) is dependent on the peak-peak level and is adjustable with the LEVEL control R7012, connected to D2304(1).

b. Triggering

In this case the level range is 16 div. The level is adjustable

with R7012 and the current variation on D2304 (14,15) can be varied between +or- 0,6mA.

c. TV triggering

The level control is made ineffective. In TV triggering, the LEVEL must be set to a fixed value. This is done by applying a high level current to pin 1 via diode V2326.

d. Auto

In auto the signal LEVEL NUL is high and via diode V2325 the output level D2304 (15) is asymmetrical with output level D2304 (14). Thus the maximum signal amplitude is 2 V_{p-p}.

- an external deflection path, routed via the series feedback circuit V2356 and V2357, the X DEFL+ and X DEFL- signals are fed to the time base unit A2.
- R2416, R2422 and C2350 gives phase correction for the X-Y display.

5.3 PRE-AMPLIFIER CONTROL

The pre-amplifier control converts the data from the I²C bus (SDA and SCL), derived from the microcomputer, into the control pulses for the pre-amplifier unit. To eliminate interference the SDA and SCL lines can be switched off via D2601.

This integrated circuit serves as a digital switch, controlled by the VERT IIC line. Logic high connects the outputs D2601(4,14,15) to the input "1" contact (switched on); logic low connects the outputs to the "2" contact (switched off) and gives SDA a logic low level and SCL a logic high level.

When D2601 is switched on, the serial data information is converted into parallel control pulses via D2602 and D2603, provided that D2602 is enabled (D2602-5 is high). The control lines are active when the level of the line is high.

Output Q12-D2602(9) serves as a power up not line for D2603: when the oscilloscope is in the power-up routine, Q12 is high and resets D2603. After the power-up routine, Q12 goes low and enables D2603.

Integrated circuit D2603 relieves the microcomputer of a number of such functions as:

- chop/alt
- trigger select
- time-base select (fed to time base unit A4)

Adaptation of this I.C. to the oscilloscope version is made by the ADO and AD1 inputs D2603(15,16).

For this oscilloscope, ADO must be HIGH and AD1 must be LOW.

Timing for alternate and chopped mode is derived by the ALTCLN and CHOPCL pulses.

The chopper oscillator formed by V2611 and V2612 supplies a square wave voltage of 1,5 V_{p-p} with a frequency of 1 MHz.

This frequency is defined by two current loops:

- I1 is determined by: V2612(c-e), C2611, R2627 and R2625.
- I2 is determined by: V2611(c-e), C2611, R2628 and R2625.

The duty cycle (I1/I1+I2) is 12% approx.

The square wave on the collector of V2612 serves as a chopper clock pulse for D2603 and gives a 500 kHz display for 2 channels CHOP, 333 kHz display for 3 channels CHOP and 250 kHz for 4 channels CHOP (A-B-TRIG VIEW-ADD).

Note that D2603(8) serves as the chopper switch, which is high when the CHOP softkey is depressed.

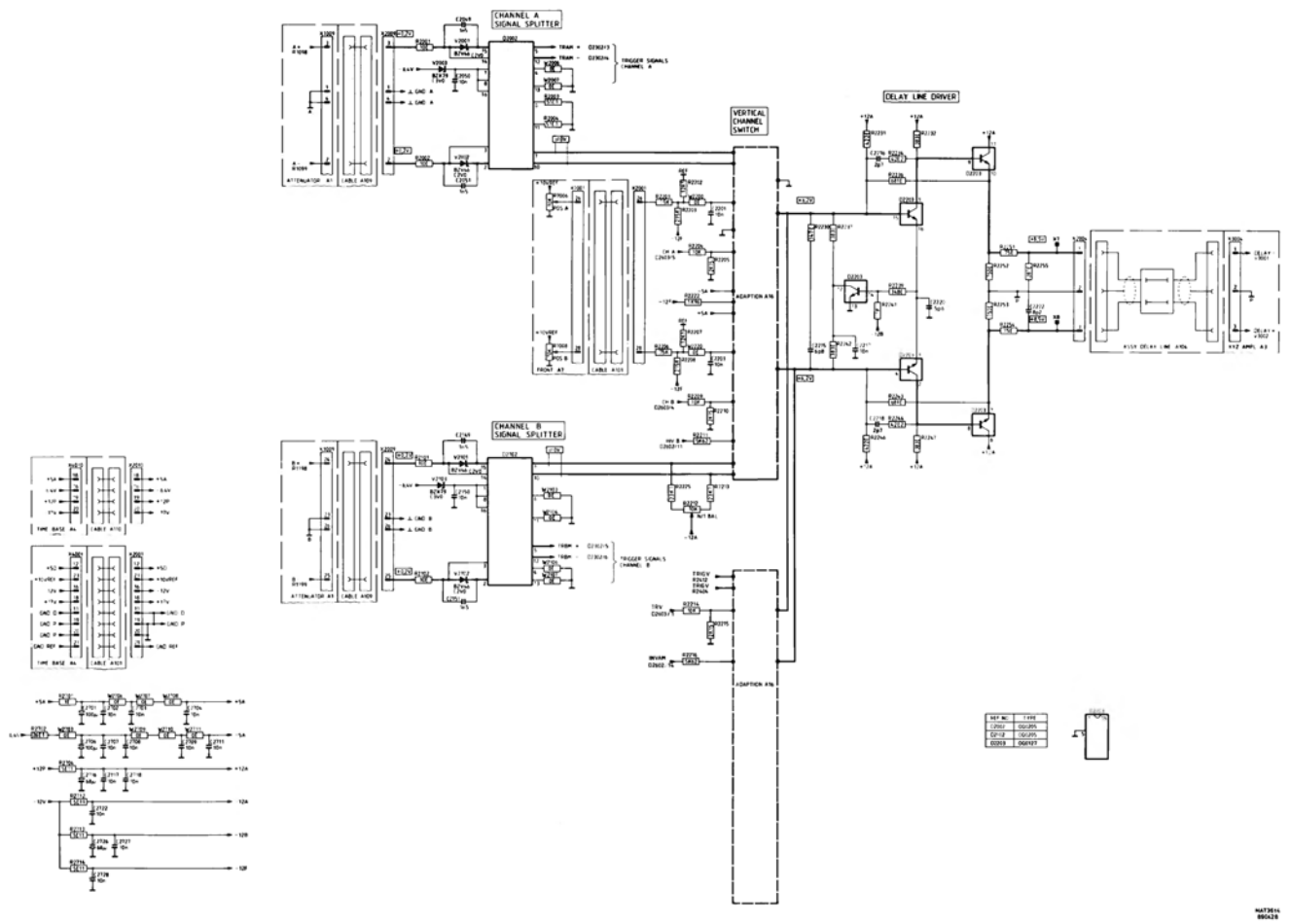


Figure 5.3 Circuit diagram of pre-amplifier, channel switch and delay line driver

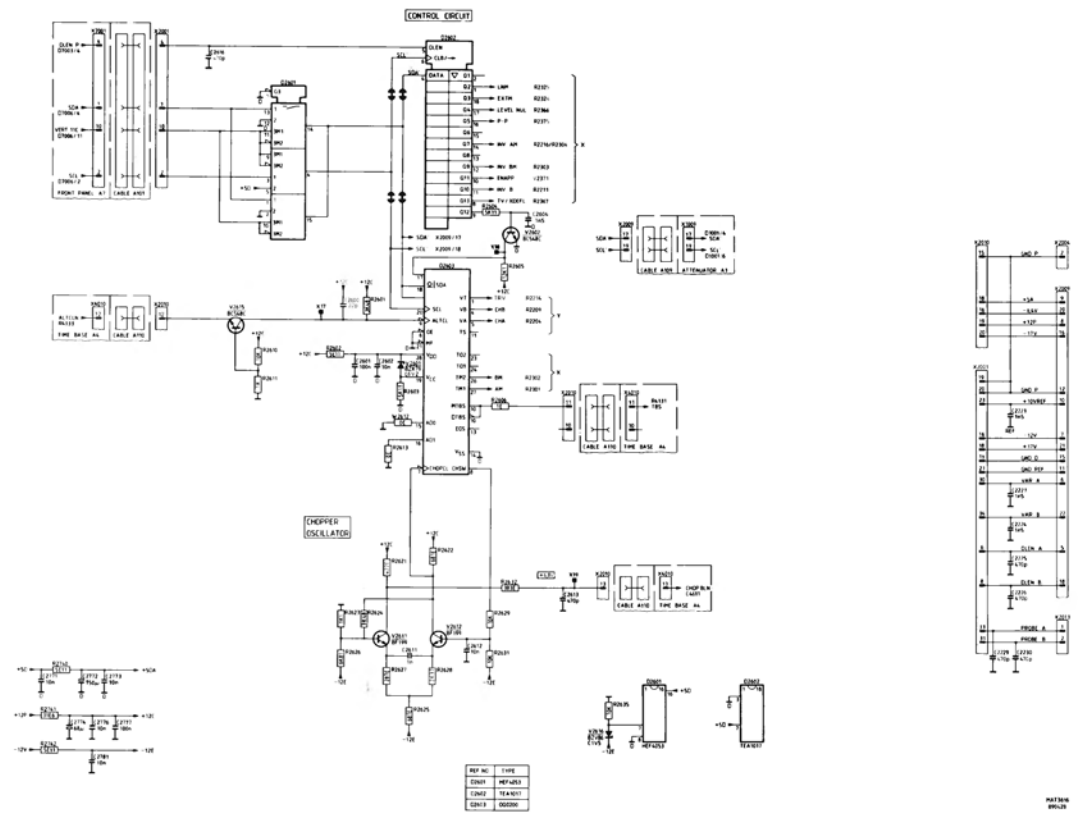


Figure 5.6 Circuit diagram of pre-amplifier, logic control

6. XYZ-AMPLIFIER UNIT (A3)

6.1 INTRODUCTION

Unit A3 incorporates two separate pcb's which are connected via a flatcable. One pcb includes among other things the CRT socket and is connected at the rear of the CRT. The other pcb comprising the proper final X and Z amplifiers is situated above the Cathode Ray Tube (CRT). For ease of description, unit A3 is described as one unit.

The XYZ-amplifier unit consists of:

- Final vertical (Y) amplifier.
- Final horizontal (X) amplifier.
- Final unblanking (Z) amplifier, incl. CRT.

6.2 FINAL VERTICAL (Y) AMPLIFIER

The final Y-amplifier receives its signal from the delay line and supplies the correct vertical signal to the Y-deflection plates of the CRT. For this the signal is processed in four stages:

- V3001, V3002 is a series feedback amplifier, including a delay line compensation network and potentiometer R3007 that controls current source V3003 for correction of any unbalance in the Y-deflection plates of the CRT. These circuits are connected between the emitters of both transistors V3001 and V3002.
In this stage the input voltage is converted into a current signal.
- V3004, V3006 is a shunt feedback amplifier, which gives a voltage signal to the next stage.
- V3008, V3009 is a series feedback amplifier, including a final RC-correction network and potentiometer R3038 for gain adjustment to compensate the different CRT sensitivities. V3007 supplies a constant current of 60 mA, i.e. 30 mA for each half. Note that the output again supplies a current signal.
- V3011, V3012 is a common-base amplifier for buffering the final Y-amplifier to the Y-deflection plates. The maximum amplitude on each deflection plate is: $30 \text{ mA} \times 655 \text{ E} = 20 \text{ V approx.}$

6.3 FINAL HORIZONTAL (X) AMPLIFIER

The input current for X-deflection is obtained from the time-base unit (ref: X- and X+) and processed in three stages, with circuits in the following configurations:

- V3101, V3102 is a common-base amplifier. The current "I" on the collector of both transistors determines the voltage across R3102 and R3116. This voltage is about 1,5 V p-p and feeds the next stage.
- V3103, V3106 is a series feedback amplifier, including an RC-correction network for optimum linearity of the trace and potentiometer R3118 for xl amplifier adjustment, mounted between the emitters of both transistors. V3104 serves as current source.

- V3112, V3114 are connected as a shunt feedback amplifier, with resistors R3126 and R3134 as the feedback resistors. The transistor source are emitter followers V3109, V3111. This circuit serves as the actual final amplifier, which converts the deflection current into the proper deflection voltage for the X-deflection plates of the CRT. Transistors V3108, V3116 supply the bias current for the circuit.

6.4 FINAL BLANKING (Z) AMPLIFIER AND CRT

The blanking current derived from the Z pre-amplifier of the time-base unit is routed via common base amplifier V3200 and emitter-follower V3201 to the shunt-feedback amplifier V3202. This stage is fed by current source V3203, which gives a constant current of 4 mA. The voltage on the collector of V3202 can vary between +5 V for unblanking and -35 V for fully blanking.

This Z-pulse may contain d.c., l.f. and h.f. components to be applied to grid G1 of the CRT. Since G1 is at a cathode potential of -2000 V, blocking capacitors are required between G1 and the Z-amplifier output. The h.f. component is directly routed via blocking capacitor C3211 to G1.

However, the d.c. and l.f. components are blocked, so these components are first modulated on a 200 kHz carrier signal by V3207 and V3208 to pass blocking capacitor C3209. Then the signal is demodulated again by V3209 and V3211. Finally, the reconstituted d.c. and l.f. components are added to the h.f. component.

Transistor V3251 forms a nominal 70 V zener circuit which provides the voltage difference between the cathode and G1 of the CRT. This bias voltage ensures blanking when there is no input signal. For adaptation to each CRT, this voltage can be varied between about 40 V and 100 V by means of R3252 (BLACK LEVEL). Resistor R3254 keeps the filament at the same potential as the cathode.

Any ripple on the cathode voltage is fed-back via transistor V3213 to the input of the Final Z-amplifier and added to the blanking signal. This means that the differential voltage between G1 and the cathode of the CRT is always fixed. Because this differential voltage determines the intensity of the spot, as a result, the intensity is almost independent of the ripple.

The amplifier stage V3253, V3254 and V3256 provides amplification for the range of the FOCUS control. The range of 0...+10 V gives a final range on G3 of the CRT of -1350 V ... -1600 V.

Resistor R3257 connects the INTENS control to the focus adjustment to maintain a sharply defined trace at varying brightness.

For optimum presetting of the GEOMETRY, the voltage on G5 of the CRT is set to a fixed level of -30 V. The ASTIGMATISM can be varied by means of potentiometer R3267.

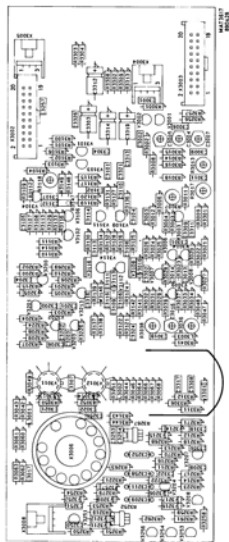


Figure 6.1 XYZ amplifier p.c.b.

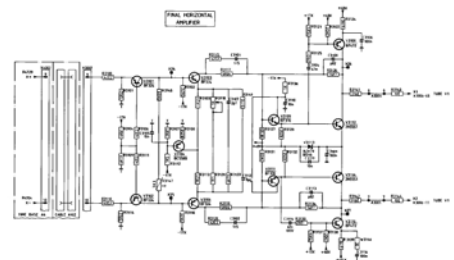
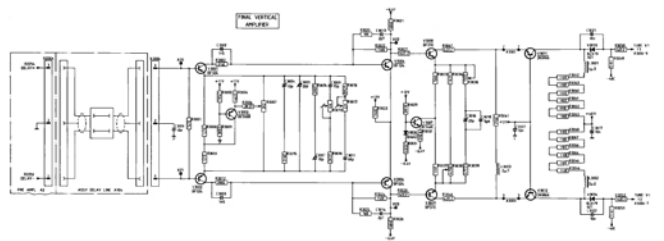
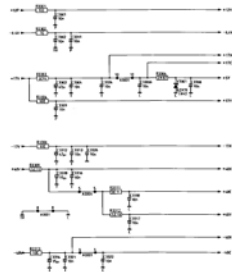


Figure 6.2 Circuit diagram of XYZ amplifiers, final X and Y amplifiers

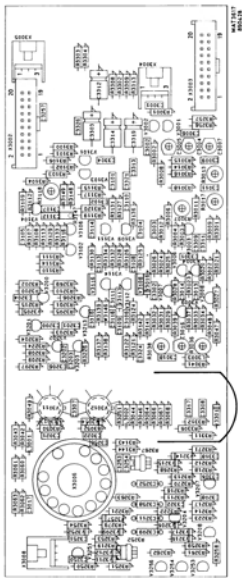


Figure 6.3 XYZ amplifier unit p.c.b.

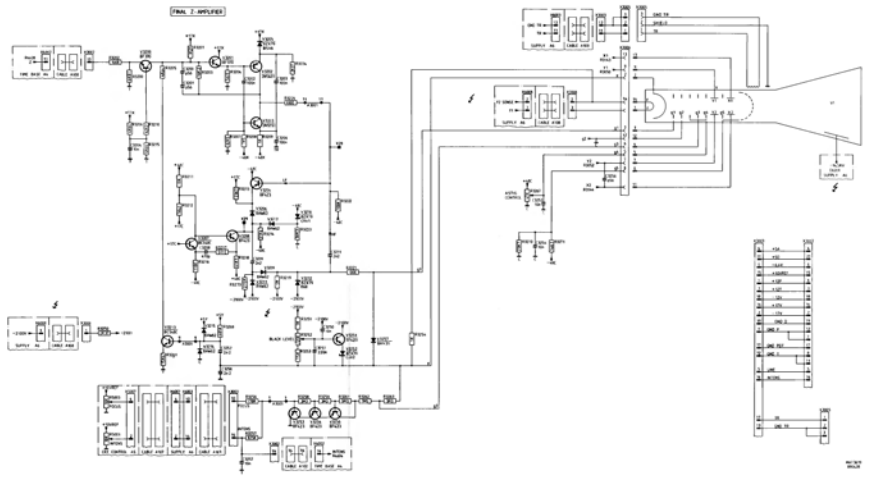


Figure 6.4 Circuit diagram of XYZ amplifiers, Z amplifier and CRT circuit

7. TIME-BASE UNIT (A4)

The time-base unit consists of:

- Trigger amplifier
- Timing circuit
- Sweep generator
- X DEFL amplifier, incl. display mode switch
- Horizontal pre-amplifier
- Z amplifier

As a supplement, the timing diagram for several conditions of the time base is given in section 7.7.

All control pulses for this unit are generated by the time-base control circuit, via the I²C bus. Integrated circuits D4001 and D4002 convert this series DATA into the parallel control pulses, provided that DLEN TB1, and DLEN TB2 are HIGH.

7.1 TRIGGER AMPLIFIER

* TB triggering:

The symmetrical trigger current signals TRIGM+ and TRIGM- are derived from the pre-amplifier unit and converted into the asymmetrical trigger voltage via the summation amplifier V4004, the shunt feedback amplifier V4008 and the emitterfollower V4009. The summation amplifier adds the base signal voltage of V4004 (caused by TRIGM-) and the collector signal current of V4001 (caused by TRIGM+).

* TV triggering:

When the signal TVMTB goes LOW, the normal trigger path is blocked via V4022 and the trigger signal is routed via the TV trigger stage V4011...V4023. Transistor V4012 serves to clip the synchronisation pulse and LINE/FRAME selection is obtained by V4021. If the signal TVF/LINE is high, TV frames are detected by C4004 ... C4007. A low control signal serves line detection by C4007.

7.2 TIMING CIRCUIT (see figure 7.1)

The timing for the entire time-base circuit is obtained by D4103 together with its associated components.

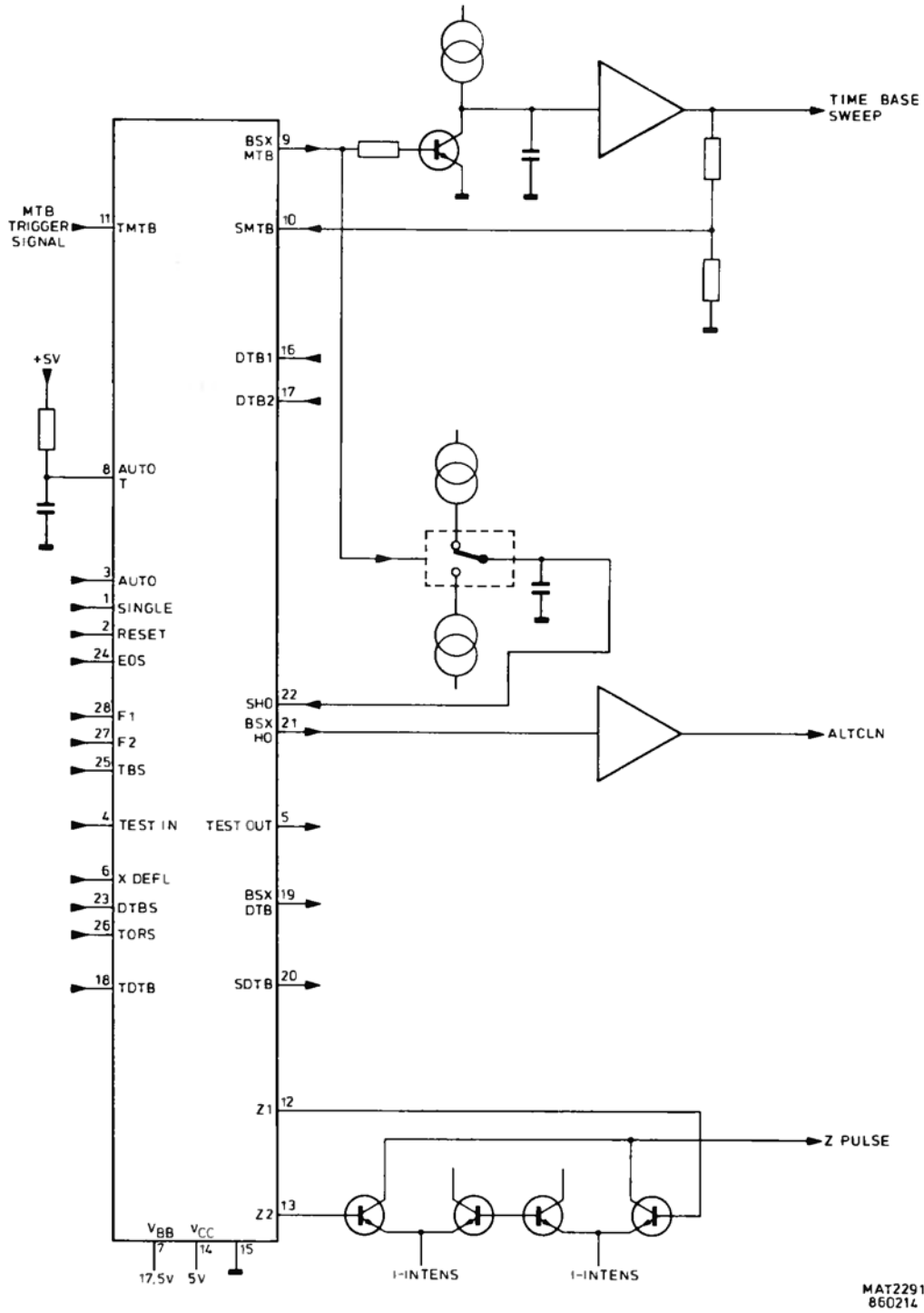


Figure 7.1 D4103 configuration

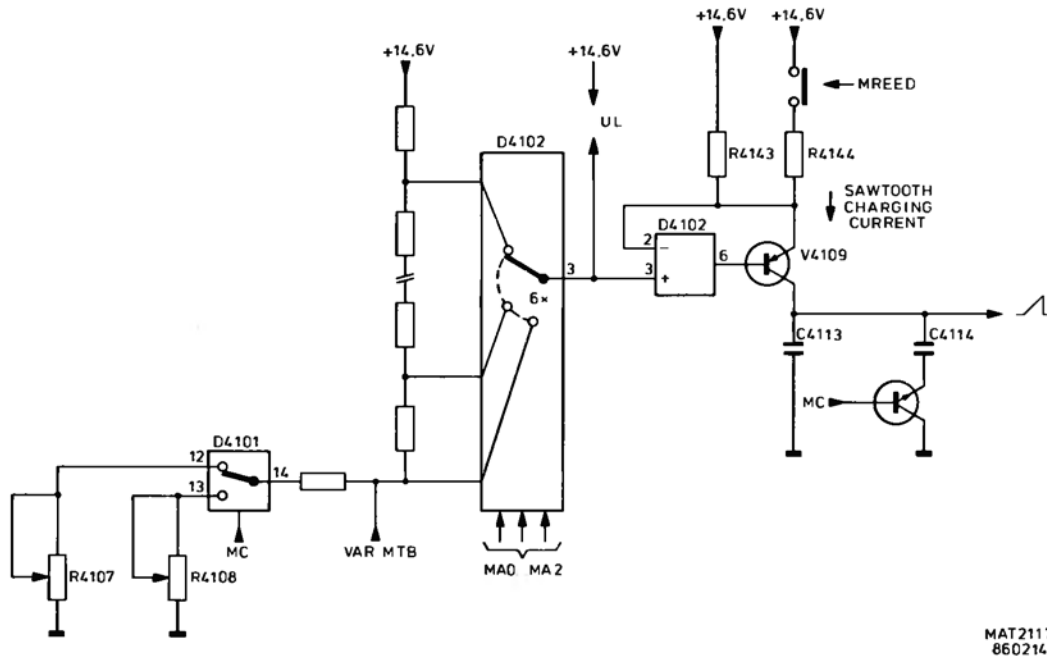
D4103 has the following relevant pin connections:

Pin	Name	INPUT-OUTPUT	Description
1	SINGLE	TTL-input	Selects the single time-base mode.
2	RESET	TTL-input	Stops the sweep and starts the hold off sweep.
3	AUTO	TTL-input	Selects the AUTO trigger mode, the time base is free-running after the last trigger pulse.
4	TESTIN	TTL-input	Selects the possibility to drive several functions (TESTOUT) in combination with SINGLE and RESET.
5	TESTOUT	TTL-output	--
6	X DEFL	TTL-input	Activates the Z1 and Z2 outputs.
7	Vbb	-	+1,5 V supply input.
8	AUTOTIME	input	RC-time determination (100 ms) for the AUTO trigger mode.
9	BSXMTB	TTL-output	Discharges the TB-sweep capacitor(s).
10	SMTB	SCHMITT-input	Determines the end of the TB-sweep.
11	TMTB	SCHMITT-input	Determines the start of the TB-sweep.
12	Z1	TTL-output	Determines the blanking of the CRT.
13	Z2	TTL-output	Determines the blanking of the CRT.
14	GND	-	Ground.
15	Vcc	-	+5 V supply input.
16	DTB1	-	not used
17	DTB2	-	not used, connected to ground.
18	TDTB	-	not used, connected to ground.
19	BSXDTE	-	not used
20	SDTE	-	not used, connected to ground.
21	BSXHO	TTL-output	Determines the ALT clock pulse
22	SHO	SCHMITT-input	Determines the end of the Hold-off sweep.
23	DTBS	-	not used; connected to supply +5Z.
24	EOS	-	Not used; connected to supply +5Z.
25	TBSX	TTL-input	Determines the TB-unblanking (HIGH)
26	TORS	TTL-input	Determines the STARTS condition (LOW) or TRIG'D condition (HIGH) of the DTB.
27	F1	TTL-input }	Determines the time base display mode (both LOW).
28	F2	TTL-input }	

NOTE: All SCHMITT-inputs are at +2,5 V level.

7.3 SWEEP GENERATOR

* TB sweep generator (see figure 7.2):



MAT2117
860214

Figure 7.2 Simplified diagram of the time-base sweep generator

The sawtooth charging current $\frac{UL}{R4143}$ (and R4144) determines the sweep speed via C4113 (+C4114).

The circuit is controlled by the following address lines:

- MA0...MA2, for interconnection of D4102-3 to an input pin, thus giving six different voltage levels UL with respect to +14,6 V.
- MREED, for addition of R4144 to the sawtooth charging circuit.
- MC, for addition of C4114 to the sawtooth charging circuit and for switching over between calibration pot.meters R4107 (50ns...100us) and R4108 (200 us...0,5 s).

The voltage UL can be continuously varied by moving the VAR TB control R7009 from the CAL position. Thus a sweep variation of 1:2,5 can be obtained.

The function table for the sweep generator is given below:

sweep speed	MA2	MA1	MA0	MREED	MC
50 ns	1	1	1	0	0
.1 us	0	1	0	0	0
.2	0	0	1	0	0
.5	0	0	0	0	0
1	0	1	1	0	0
2	1	0	0	1	0
5	1	1	1	1	0
10	0	1	0	1	0
20	0	0	1	1	0
50	0	0	0	1	0
.1 ms	0	1	1	1	0
.2	1	0	0	0	1
.5	1	1	1	0	1
1	0	1	0	0	1
2	0	0	1	0	1
5	0	0	0	0	1
10	0	1	1	0	1
20	1	0	0	1	1
50	1	1	1	1	1
.1 s	0	1	0	1	1
.2	0	0	1	1	1
.5	0	0	0	1	1

NOTE: When MREED is low, then RELAY is switched on.

The sawtooth current is fed to the buffer circuit, where the h.f. sweep components (to 2 usec) are routed via C4116 and V4118, V4119. The l.f. sweep components (0,5 sec...2usec) is routed via N4103.

Finally the time-base sweep voltage is applied to the horizontal display mode switch.

* Hold-off circuit:

During the time base sweep, capacitor C4304 is discharged. In the lower sweep speeds (lower than 10us) capacitor C4302 is also discharged via V4306. After the sweep, the capacitor(s) are charged via current source V4304 until the voltage across C4304 reaches the +2,5 V level. This voltage is applied to D4103 as the SHO signal and determines if the time base can generate a new sweep.

Depending on the HOLD OFF control potentiometer R7011 adjustment, a part of the charging current leaks away via V4301 and thus continuously variation of the charging time (i.e. hold-off time) is obtained. When BSXMTB goes LOW, the time base starts to run again and at the same time C4304 (and C4302) are discharged again via V4309.

7.4 X DEFL AMPLIFIER AND DISPLAY MODE SWITCH

* X DEFL amplifier:

The circuit for converting the symmetrical X DEFL+ and X DEFL- signals into the asymmetrical voltage, applied to the display mode switch is identical to the trigger input. However, this circuit can be switched-off by diodes V4500 and V4505, provided that the X DEFL signal is HIGH.

* Horizontal display mode switch:

The three deflection signals for real time base, digital time base or X deflection are switched to the horizontal pre-amplifier via diode switches. These switches are under control of the signals X DEFL and TBS. The output of the circuit is applied to R4701 on the horizontal pre-amplifier stage. The logic table is given below:

X DEFL	TBS	Output
1	*	X DEFL signal
0	0	Digital time base
0	1	Real time base

7.5 Z-AMPLIFIER

* Z-switch:

The Z-switch N4601 is configured as two differential amplifiers with a common current output to R4625. The stage is supplied by a constant current source via pin 3 and pin 9. The inputs Z1 and Z2 are derived from the timer stage D4103 and determine the unblanking of the CRT. For this oscilloscope Z1 and Z2 must be HIGH for normal intensity of the time base signal.

The amplitude of the Z-current can be varied by the front-panel INTENS control R5001. The slider of this control potentiometer drives the base pin 2 and pin 10 of both current sources.

To prevent burn-in of the CRT in the lower sweep speeds. 0,5 sec...50 usec, signal ZB is LOW and reduces the voltage to pin 2 and pin 10.

Signal ZA is a software-controlled pulse to blank the trace when the AMPL/DIV switch is used.

* Z Pre-amplifier:

In normal condition, the full current for CRT blanking derived from N4601 is routed via R4625, V4612 and R2628 to the XYZ Amplifier A3.

However, there are two conditions for additional blanking:

- In the chopped mode of the vertical channels the display is blanked during switching over between channels. This happens by connecting the CHOPBLN pulse to V4611. When this pulse is HIGH, transistor V4611 conducts and a part of the blanking current flows via V4611 emitter-collector to the +5 K (+5V supply) rail.
- if a HIGH level is applied to the external Z MOD input on the rear panel, this signal causes conducting of V4616 so that a part of the blanking current flows via V4616 emitter-collector to the +5 K rail.

7.6 HORIZONTAL PREAMPLIFIER

The horizontal preamplifier drives the final X-amplifier on unit A6. It is a balanced amplifier that consists of V4702 and V4712. The amplifier receives the selected X-deflection signal. This signal can be the analog time base signal, the digital time base signal or the X-deflection signal. This signal is applied to the base of V4702. The base of V4712 receives a d.c. signal that determines the horizontal shift of the display on the CRT screen. The preamplifier can work with two different amplification factors:

- If X MAGN is inactive, the signal X10---LT is high. This has the result that V4706 is on and V4708 is off at the same time. The amplification is determined by the emitter resistors R4705 and R4718. V4707 serves as a constant current source.
- If X MAGN is active, the signal X10---LT is low. This has the result that V4706 is off and V4708 is on at the same time. The amplification is determined by the emitter resistors R4706, R4707, R4719 and R4721. This gives a 10 times gain increase compared with the other mode.

The signal that determines the horizontal shift of the signal is applied to the base of transistor V4712. This signal can be derived either from the X POS potentiometer via W4909 (during normal signal display) or via trimming potentiometer R4260 (during display of text and/or cursors). The selection is done in multiplexer D4101 under control of signal XPOSOFF-HT that is high during text display. The signal is low during display of the signal.

7.7 TIMING DIAGRAM

The following figure gives the timing diagram for D4103 for a free running time base sweep.

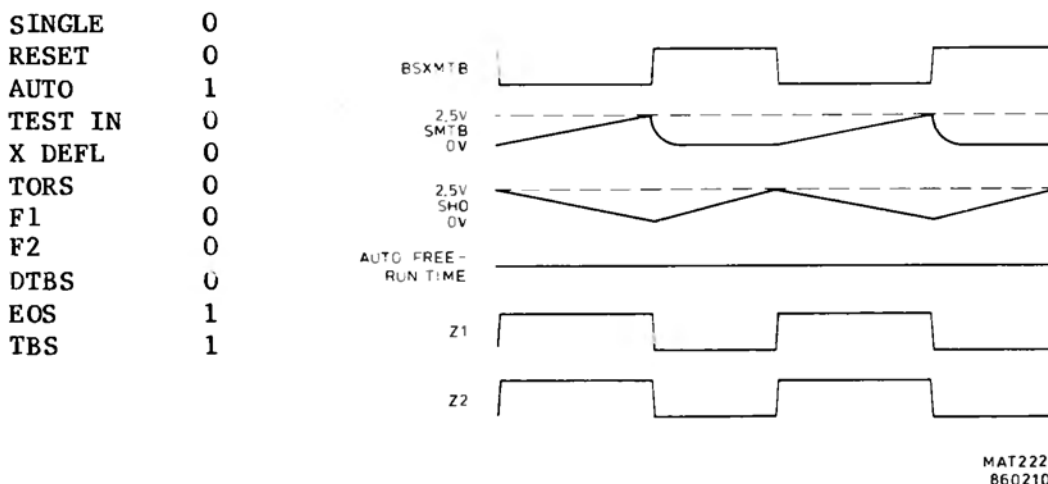
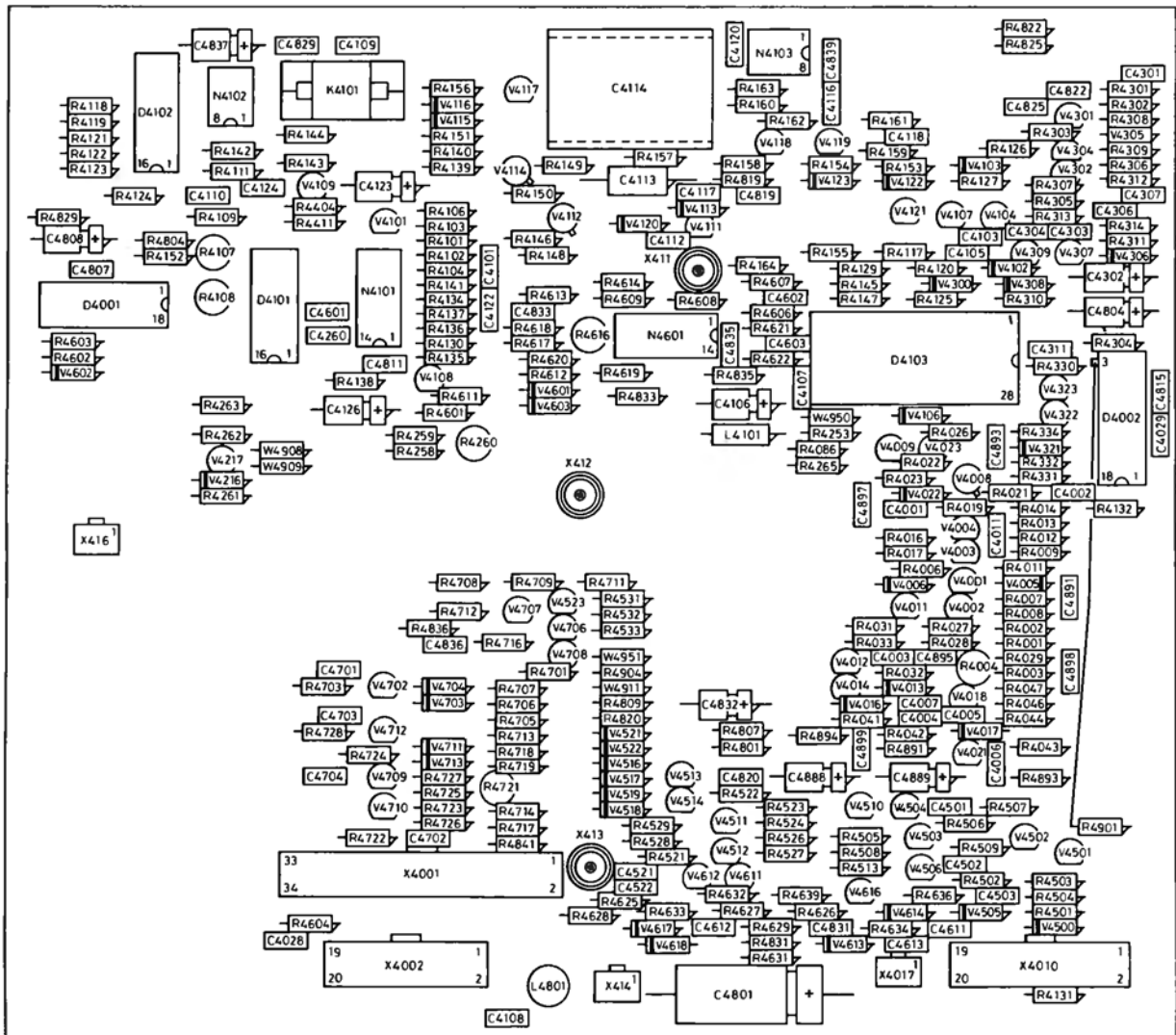


Figure 7.3 Free-running sweep-timing diagram



MAT3620
890510

Figure 7.4 Time-base unit p.c.b.

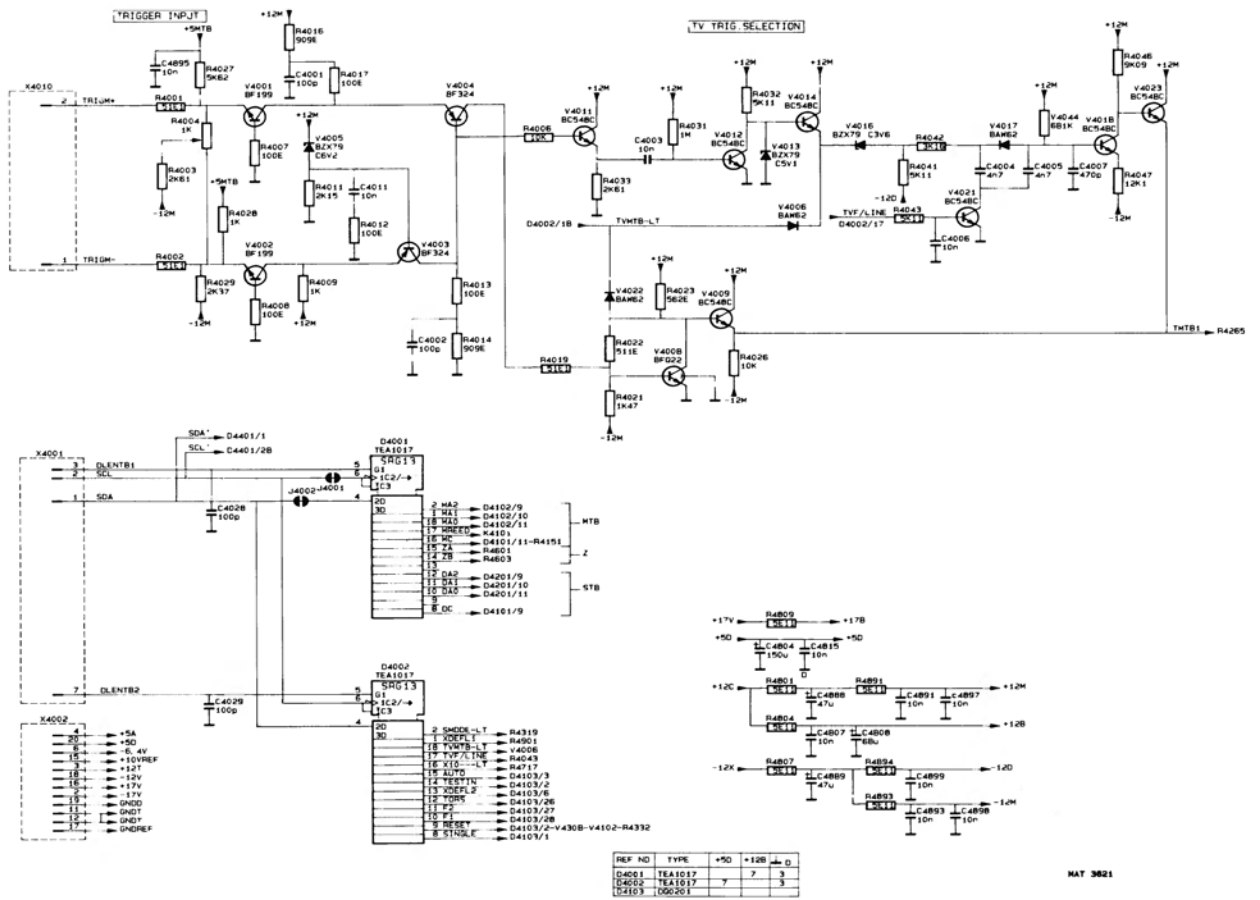


Figure 7.5 Circuit diagram of time-base, trigger amplifier

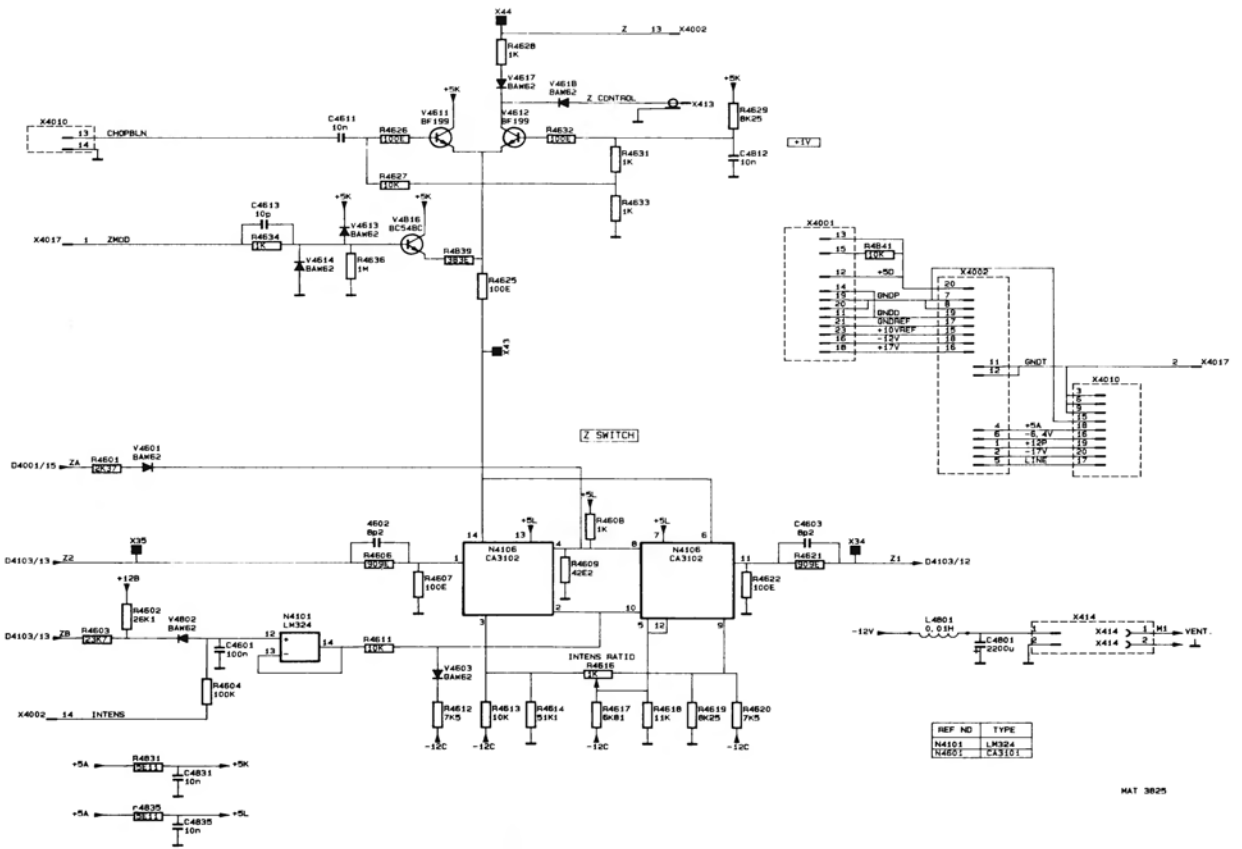
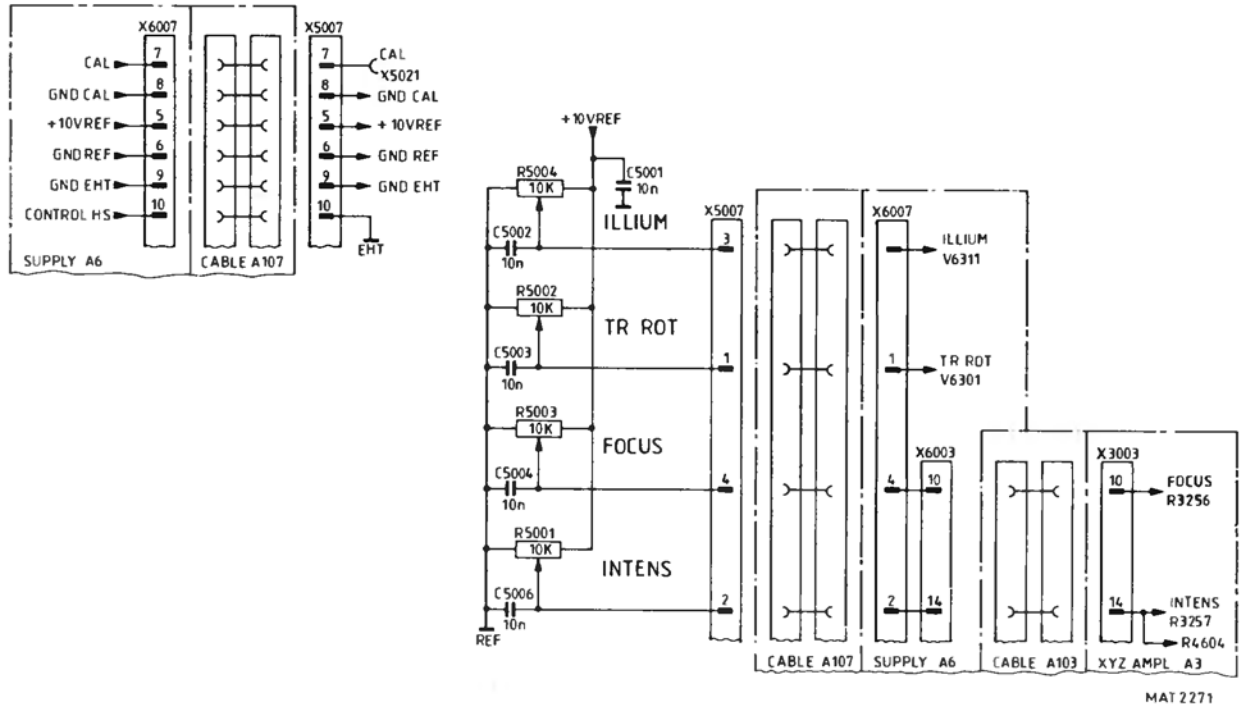


Figure 7.10 Circuit diagram of time-base, Z-amplifier

MAT 3825

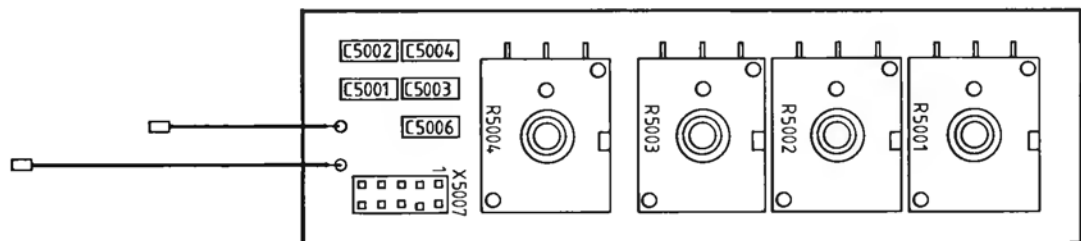
8. CRT CONTROL UNIT (A5)

This unit incorporates the potentiometers that control the CRT functions. These potentiometers are INTENS (R1), screwdriver operated control TRACE ROT (R2), FOCUS (R3) and ILLUM (R4). The range of these potentiometers is between 0 V and +10 V. The way these potentiometers influences the associated circuit is described together with the description of the relevant circuit part.



MAT 2271

Figure 8.1 Circuit diagram of CRT control



MAT 2270

Figure 8.2 CRT control unit p.c.b.

9. POWER SUPPLY UNIT (A6)

Basically, the power supply unit consists of:

- input circuit
- converter circuit
- secondary output rectifiers
- HT supply
- CAL oscillator
- CRT control circuit

9.1 INPUT CIRCUIT

The instrument may be powered from a nominal mains voltage of 90 V...264 V a.c.

The mains voltage is primary protected by a fuse of 1 AT, which is located on the rear of the instrument.

After rectification by the diode bridge V6001...V6004 a d.c. voltage is applied to the converter circuit.

This voltage is smoothed by capacitors C6007, C6008 and three chokes. Depending on the mains voltage, the rectified voltage is 120 V...370 V.

A fixed part of the mains voltage serves as a LINE-trigger signal. The amplitude of the LINE trigger signal is $1/22 \times \text{MAINS}$.

NOTE: The LINE trigger signal is not present when a d.c. voltage serves as MAINS.

9.2 CONVERTER CIRCUIT (see figure 9.1 and figure 9.2)

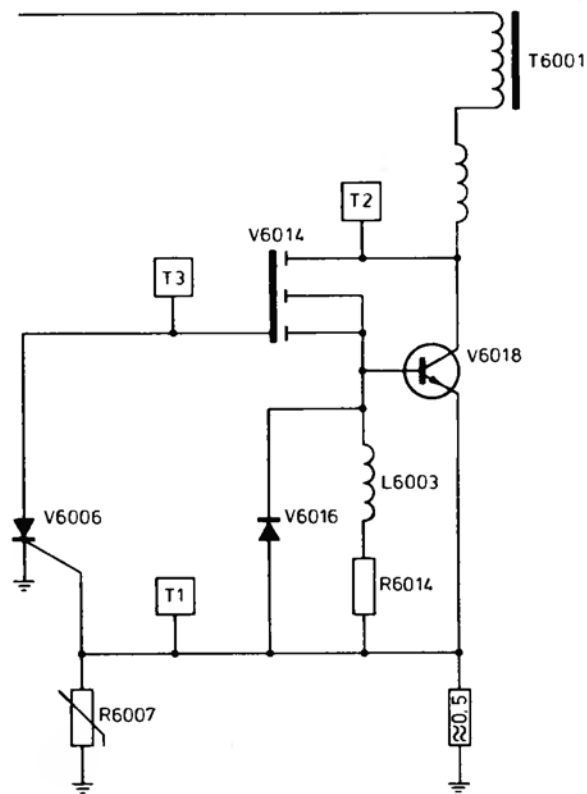
The flyback converters consists of transistor V6014 and V6018 and their associated components. The converter frequency depends on the LINE IN amplitude and is for 110 Vac: 30 kHz approx. For 220 Vac: 45 kHz approx.

Transistors V6014 and T6018 conduct on the forward stroke and charge transformer T6001. The thyristor V6013 fires when the voltage on the gate reaches the firing level (0,6 V approx). Consequently, V6018 blocks - V6014 blocks, for the duration of the flyback stroke, during which the secondary windings discharge via the diode rectifiers into the smoothing capacitors. The NTC resistor R6009 provides temperature compensation for the firing point of the thyristor.

During the flyback, capacitor C6009 charges again via the path T6001-1, V6012, V6009, R6004, C6009 and T6001-2.

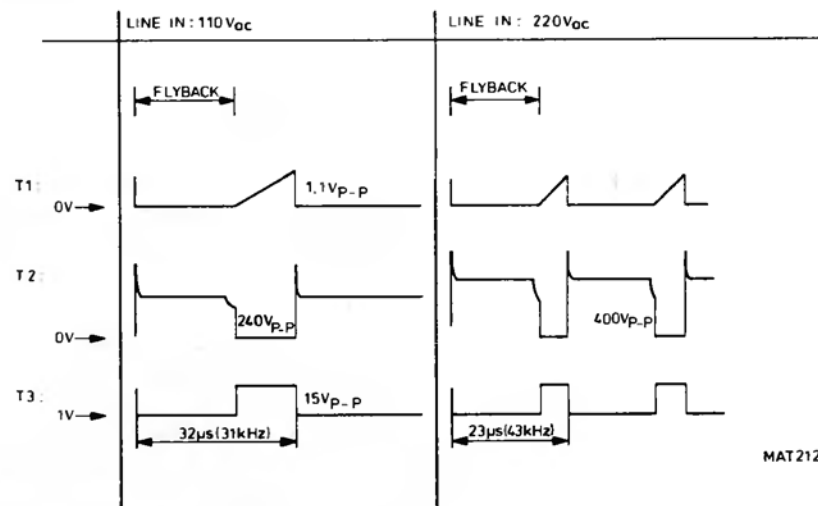
The voltage stabilizer with transistor V6009 gives a square-wave to the gate of transistor V6014 with a maximum amplitude of 15 V.

The dv/dt limiter with L6004, L6006, V6017 and V6019 serves to eliminate the switching spikes present on the collector of V6018 (measuring point X46).



MAT2119
860214

Figure 9.1 Converter circuit



MAT2120

Figure 9.2 Timing diagram converter circuit

9.3 SECONDARY OUTPUT RECTIFIERS

The output voltages taken from the secondary windings of transformer T6001 are rectified by diodes and smoothed by capacitors in conventional circuits.

A "CROWBAR" circuit with transistor V6137 and V6112 protects the +5 V supply.

When the +5 V level is too high, transistor V6137 (and V6112) conduct and the power supply goes into short circuit mode.

A voltage protection circuit using V6134, V6136 and V6112 protects against overloads protection. When the power supply is overloaded, these components conduct and the power supply goes into in the short-circuit mode.

9.4 HT SUPPLY

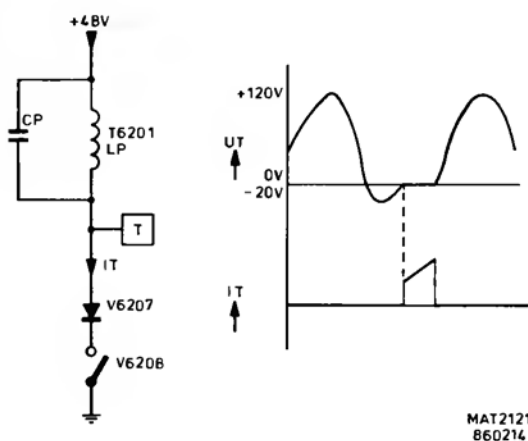


Figure 9.3 HT oscillator

The HT supply consists of an oscillator and a regulator circuit. Transformer T6201 determines the frequency (50 kHz approx.) of the oscillator. The output signal voltage on the secondary winding of T6201 is rectified by diode V6209 and smoothed by C6211. The -2,1 kV is also converted to +14,5 kV in the HT multiplier D6201 and routed via connector X6030 to the post-acceleration anode of the CKT.

To regulate this HT voltage the -2 kV is fed to the input of OP-AMP N6002.

The output level of N6002 determines the energy to T6201, and thus the amplitude of the HT-voltage.

9.5 CALIBRATOR

The calibrator circuit consists of two analogue switches D6501(8-9) and D6501(11-12) controlled by the active HIGH enable inputs 6 and 12 respectively, that are connected as an 2 kHz astable oscillator. Capacitor C6502 and resistor R6504 determine the 2 kHz frequency. The oscillator outputs, applied to enable inputs 5 and 13 of the second stage are in anti-phase with each other. Depending on the level of input 5 and 13, the CAL voltage will have a 1,2 V level or a 0 V level.

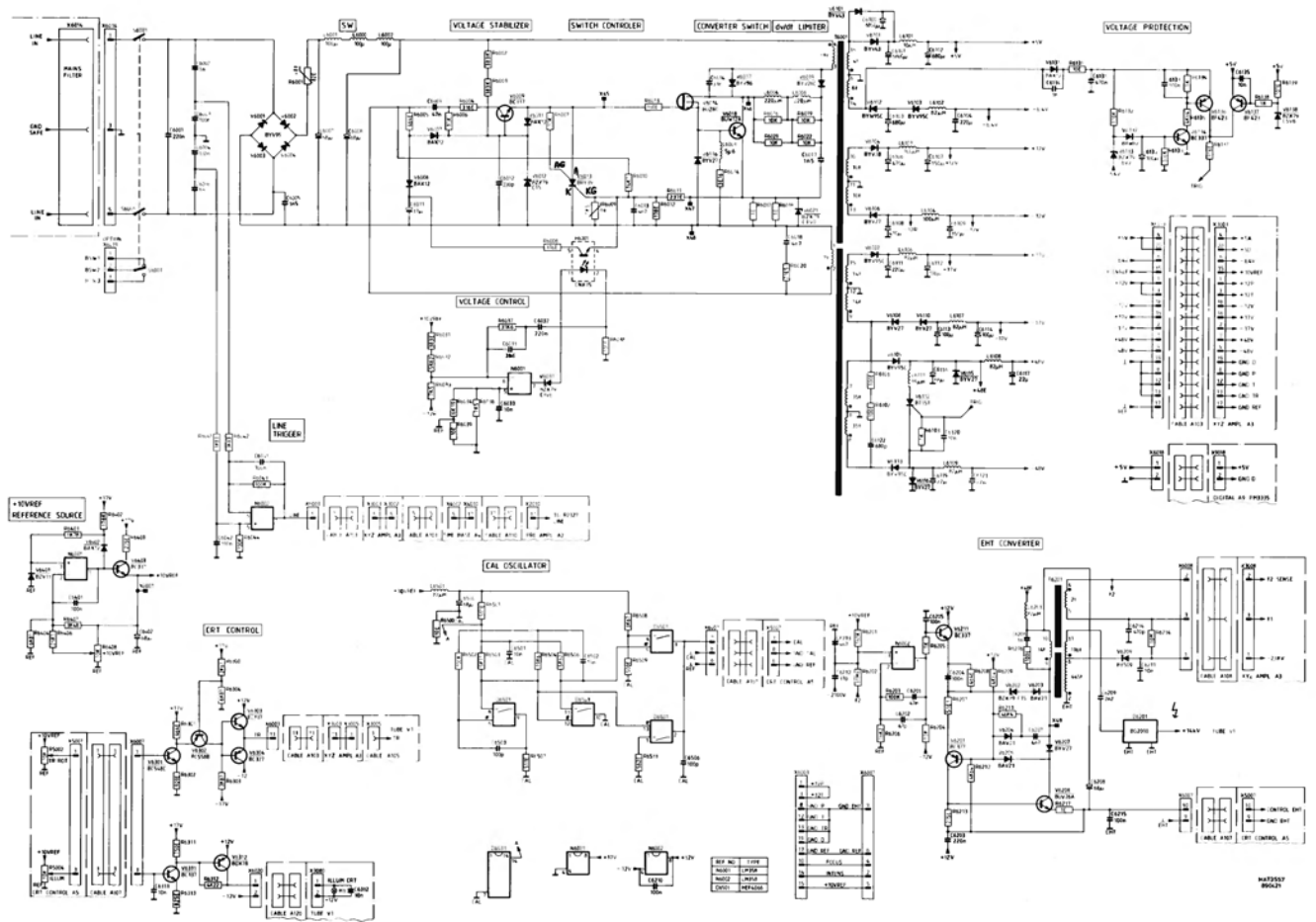


Figure 9.5 Circuit diagram of power supply

10. FRONT UNIT (A7-A8)

The front unit consists of:

- the key-matrix and reset circuit
- the front controls, probe indicator and auxiliary circuits
- the LCD display

The microprocessor that reads and controls this unit is located on the digital unit A9. The interconnection between both units is made by means of a 40-pole flatcable.

10.1 KEY-MATRIX AND RESET CIRCUIT

The front keys are grouped in a matrix configuration consisting of 9 lines. Every key (except the AUTO SET key) is present at the crossing point of two lines. The 9 lines are named KEY0 ... KEY8 and are directly read by the microprocessor D9012 on digital unit A9.

The reset circuit generates the signal RESET-HT. This signal is high during some time after switching-on of the instrument. This high level forces the microcomputer on unit A9 to initiate its main program.

10.2 FRONT PANEL CONTROLS, PROBE INDICATOR AND AUXILIARY CIRCUITS

The front-panel potentiometers give voltages between 0...10 V to the various circuits. To determine the UNCAL position of VAR A, VAR B or VAR MTB, the dc voltages on the slider of the potentiometer are applied to triple comparator N7001. When the voltage level of the control is lower than 0,7 V a logic high is read. The UNCAL data is read by the microprocessor via a buffer that is present on unit A9.

Integrated circuit D7004 (OQ0044) detects the kind of probe which is connected to the oscilloscope. Depending on the resistance between the probe indication input (pin 3 for channel A and pin 16 for channel B) and ground, the V/DIV reading of the LCD automatically increases according to the table below. Depending on the type of probe (e.g. 10:1, 100:1) the indication ring incorporates a different resistance value.

Pin 3 (16)	Pin 6 (17)	Pin 7 (12)	V/DIV attenuation
2k32	0	0	x10
6k98	1	0	x100
7k68	0	1	x1
10k	1	1	x1

The 4 output signals of D7004 are read by the microprocessor via buffer D7006. This buffer also reads the AUTO SET key and the signals TEST OUT (high if scope is triggered), NOPTION (low for optional trigger facilities) and REMRQN (if low the interface option tells the microprocessor that the scope must go to remote). When the enable inputs pin 1 and 19 are made low by multiplexer D7002, the inputs of the buffer D7006 are read by the microprocessor.

D7002 is the multiplexer that makes a separation between the I2C lines that drive the LCD drivers and the I2C lines for the other circuits. This is controlled by the SEL II C line. If this line is high, the SDA (Serial Data) and SCL (Serial clock) lines control the LCD drivers on LCD unit A8.

D7003 decodes the address lines A8, A9 and A11 into the DLEN (Data Latch Enable) signals that select one of the serial-parallel conversion circuits.

10.3 LCD DISPLAY CIRCUIT

The LCD is driven by three drivers D8001, D8002 and D8003 (PCF8577). The temperature dependent supply voltage VCPCF is 4 V approx. at 25°C. When the temperature increases, this voltage decreases. This is achieved by NTC resistor R7036. As a result the intensity of the LCD is constant over a wide temperature range.

The single-pin built-in oscillator on pin 37 of D8001 provides the modulation frequency for the LCD segment driver outputs. Capacitor C7008 and resistor R7018 are connected to this pin to form the oscillator, with a frequency of 150 Hz approx. Pin 36 and pin 37 are used to determine the LCD driver address in the I²C bus.

The outputs pin 1...pin 32 directly drive the LCD.

Outputs BP1 and BP2 (pin 33 and pin 34) drive the COMMON pins of the LCD.

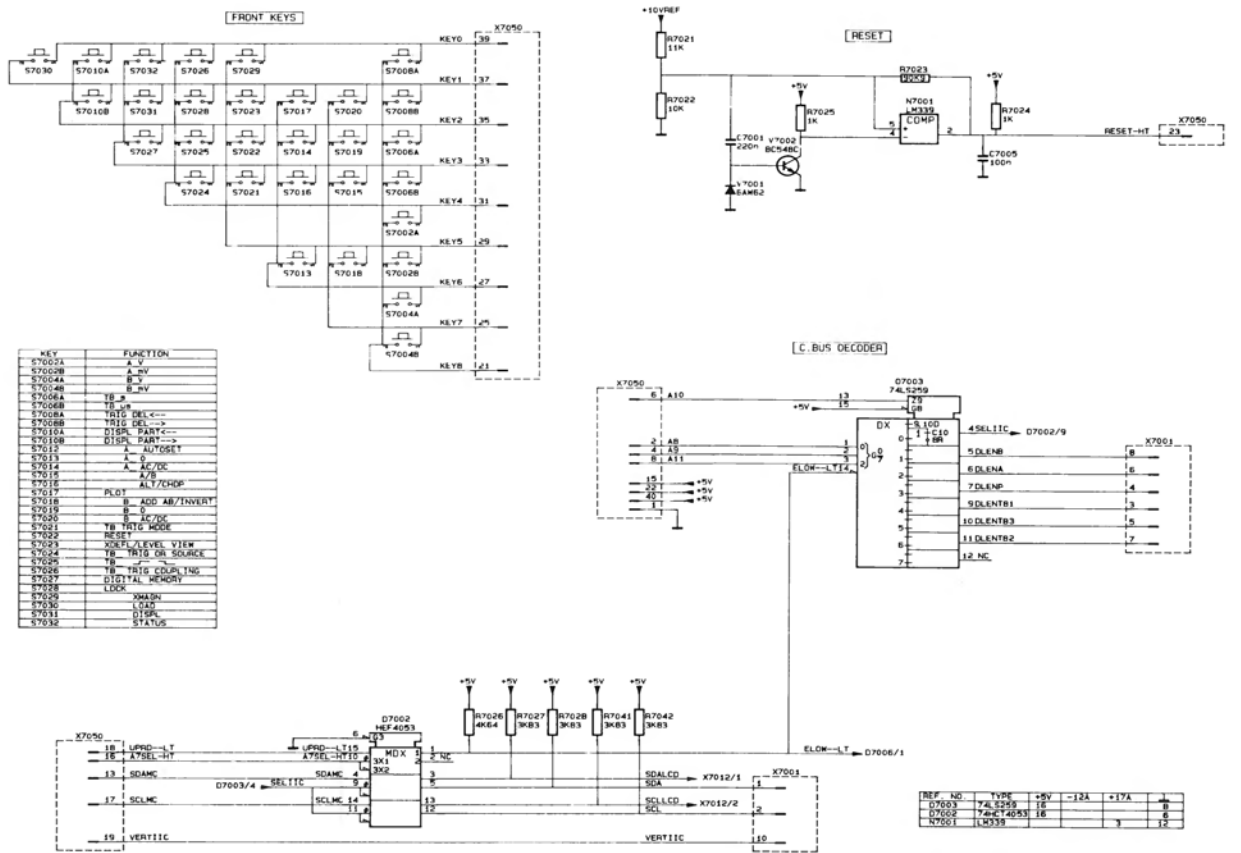
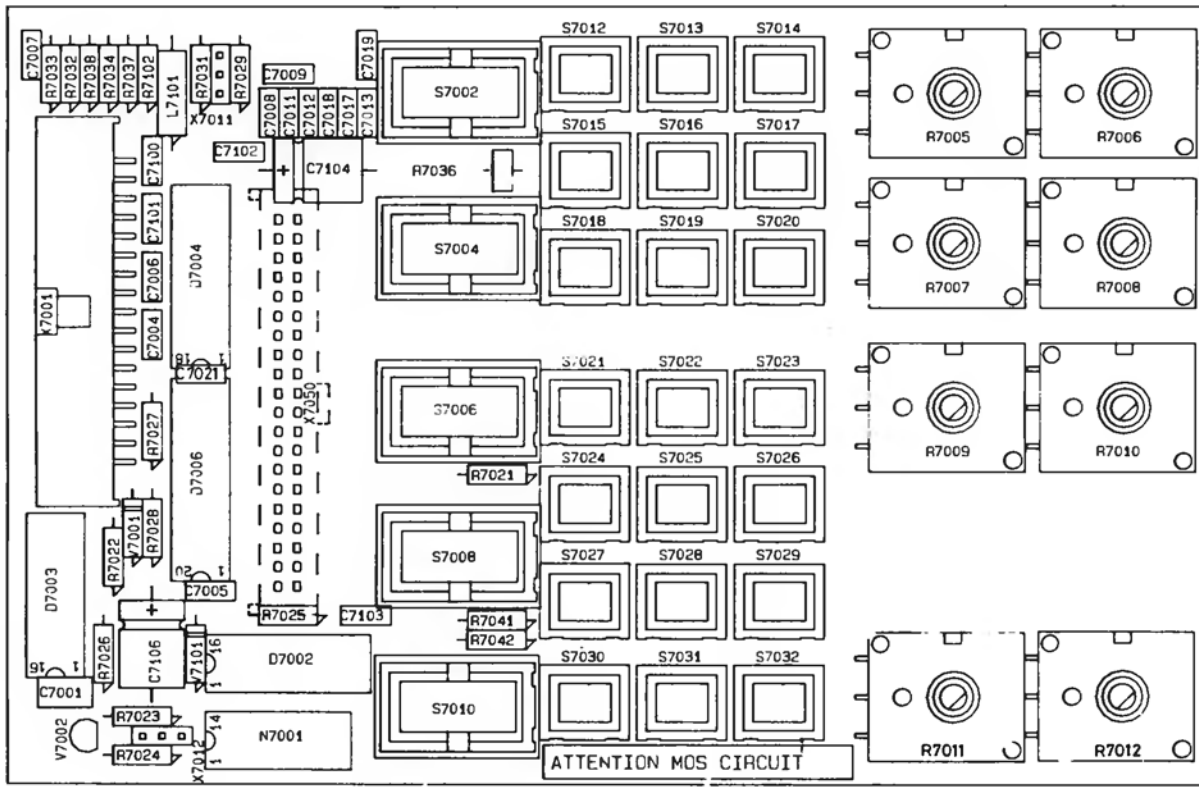


Figure 10.1 Circuit diagram of front unit, key matrix and auxiliary



4022 245 0170.7
MAT3627

Figure 10.2 Front unit p.c.b.

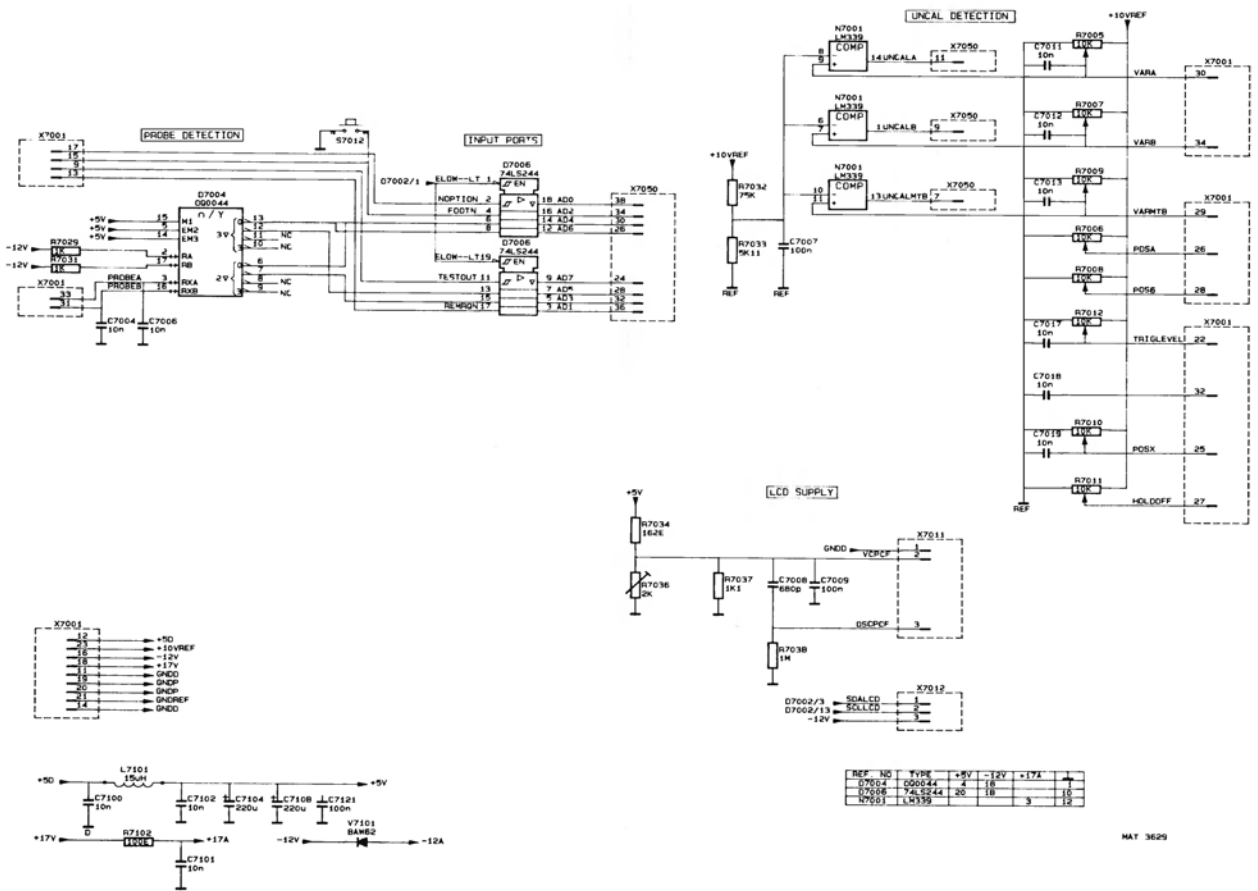
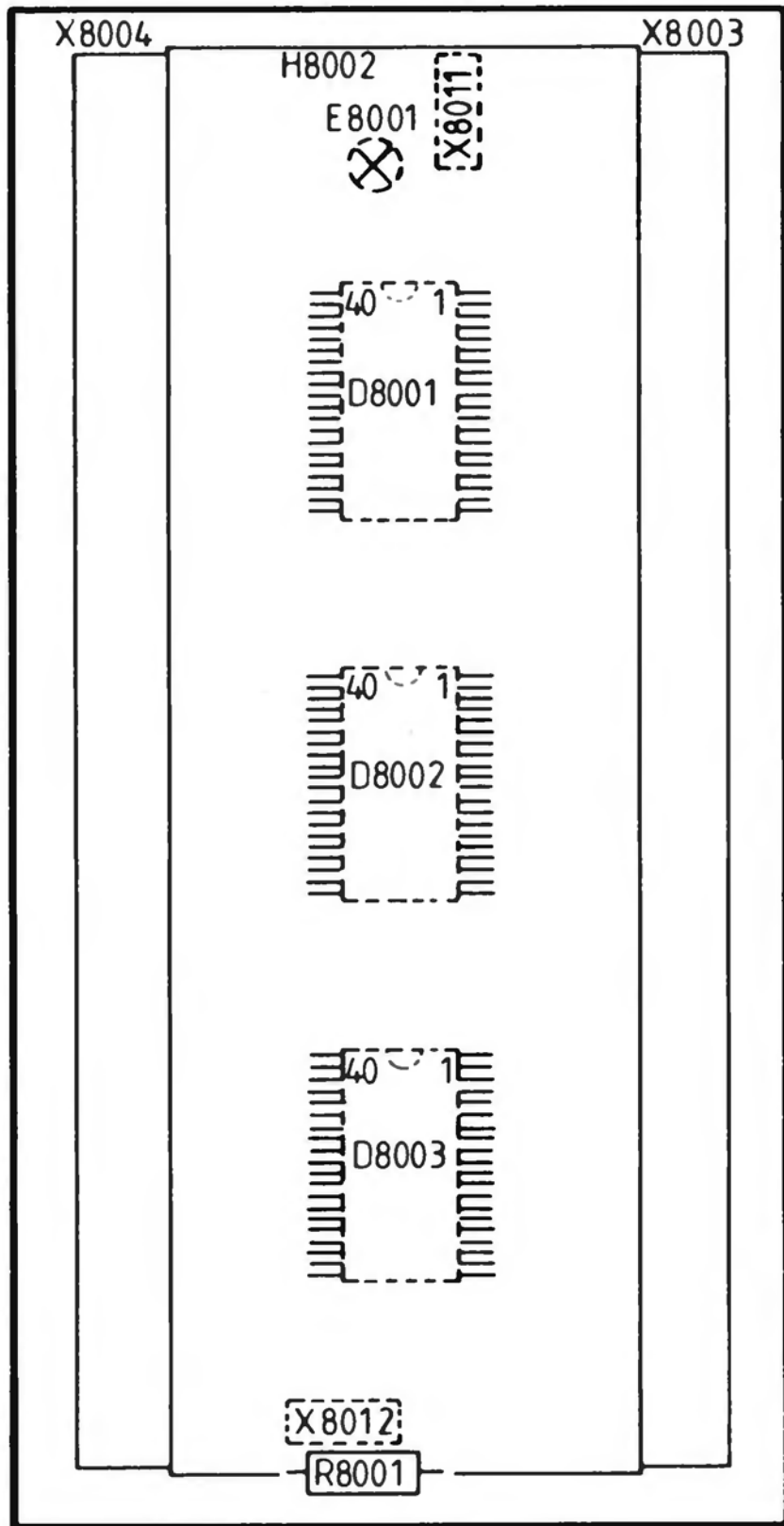
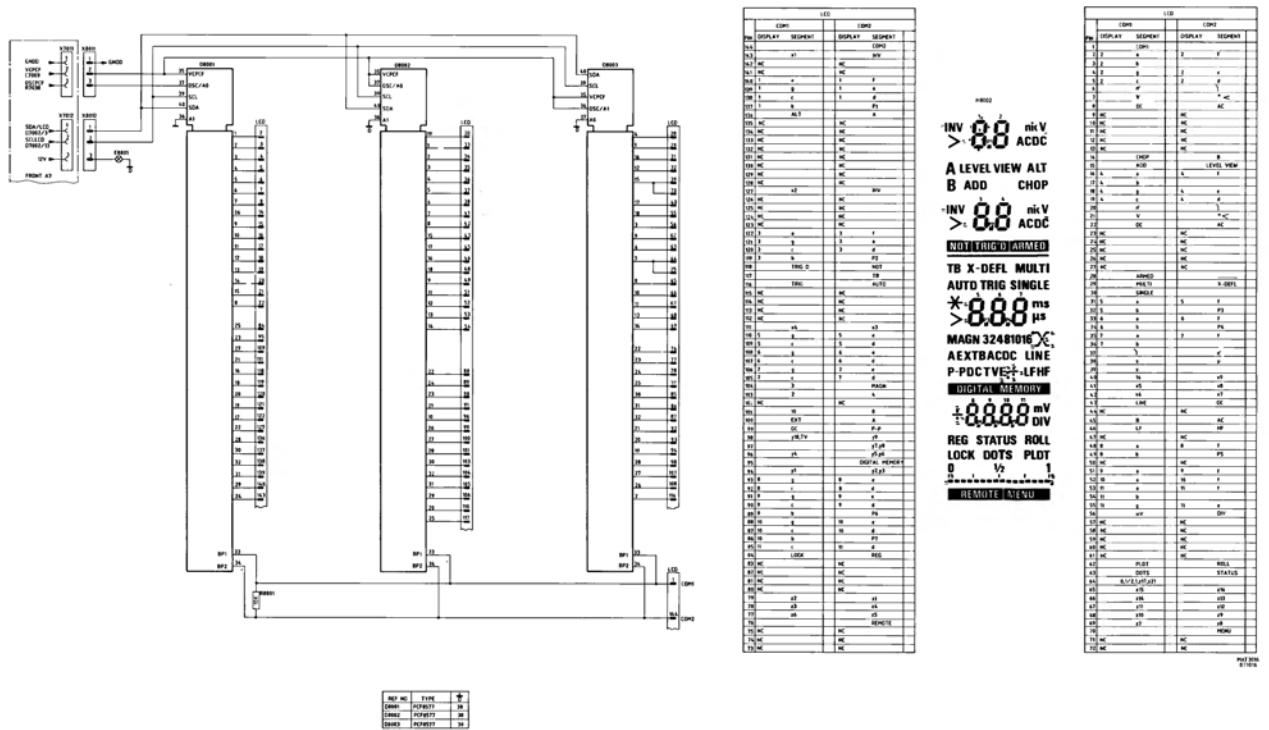


Figure 10.3 Circuit diagram of front unit, front controls and probe indication



MAT 2276

Figure 10.4 LCD unit p.c.b.



INV $\overline{0.00}$ nkV ACDC
 A LEVEL VIEW ALT
 B ADD CHOP
 INV $\overline{0.00}$ nkV ACDC
 NOT IN RANGE
 TB X-DEFL MULTI
 AUTO TRIG SINGLE
 $\ast \overline{0.00}$ ms
 $\overline{0.00}$ μ s
 MAGN 324810X
 AEXTBACDC LINE
 P-DC TV LFHF
 DIGITAL MEMORY
 $\overline{0.0000}$ mV DIV
 REG STATUS ROLL
 LOCK DOTS PLOT
 $\overline{0}$ $\frac{V}{V}$ $\frac{1}{1}$
 REMOTE VIEW

Figure 10.5 Circuit diagram of LCD unit

11. DIGITAL UNIT (A9)

INPUT AMPLIFIERS AND ADC CIRCUIT

This part of the circuit comprises two identical circuits (one for channel A and one for channel B) of which the channel A circuit is explained.

Every circuit incorporates an analog input amplifier followed by an analog into digital converter (ADC). The balanced current signal from V616/V617 (V621/V622 in channel B) on the adaptation unit A16 is applied to the emitters of common base circuit V9011/V9012. The signal currents in every branch are equal (0,1 mA/div) and are in antiphase. Trimming potentiometer R9064 is used for gain adjustment. The biasing currents in both branches are equal. With no signal, the currents through V9011, V9016 and V9012, V9013, V9014 are equal and no current is running towards the base of V9017. V9017 is a shuntfeedback amplifier that converts current into voltage signal. The voltage amplitude is determined by the resistance value of R9083; C9074 limits the bandwidth of this stage. The output voltage of V9017 is applied to pin 8 of the ADC N9001 via emitterfollower V9018. The biasing voltage at the output of the emitter follower is adjusted to +2,5V with offset adjustment R9078. The inputvoltage range of the ADC lies between +1,6 and +3,4V.

The emitter of common base transistor V9013 is always at +0,6V which is identical to the base voltage of V9017. The transistors V9014, V9016 serve as a current mirror: if due to signal the current applied to V9011 sinks with e.g.0,1 mA the current in V9012 rises with the same amount. The current mirror on its turn adds this signal current and as a result the current in R9083 increases with 0,2 mA.

The ADC has 8 bits of output information coded AQDB00 (least significant bit)... AQDB07 (most significant bit) for channel A. For channel B the 8 bits are coded AQDB10 (least significant bit) ... AQBD17 (most significant bit). If pin22 (enable ADC) is low, the ADC can convert the analog input signal at pin 8 into digital at the moment that pin 16 (start conversion) goes from low to high level.

11.2 ACQUISITION MEMORIES

This diagram incorporates the 8K acquisition memory. The memory is loaded with the output information of the two ADC's. In dual channel mode the channel A ADC output (AQDB00 ... 07) is providing the information that is loaded into the 4K memory D9031, D9032. The channel B ADC information is loaded into the other 4K memory D9033, D9034. The information is loaded into the memory if pin 18 (Chip Select RAM) and pin 21 (write acquisition) are both low. The 12 bit memory address (necessary to address 4K) is AQAB00 (least significant bit) ... AQAB11 (most significant bit). This address is generated by an address generator that is present on the acquisition control logic. With address line AQAB11 low the memories D9031 and D9033 are enabled. Via inverter D9023/5,6 the memories D9032 and D9034 are enabled if address line AQAB11 is high.

If only one channel is selected, the full 8K memory is available for that channel. If channel A is selected, the 4K memory D9031, D9032 is loaded and then via bidirectional buffer D9035 the 4K memory D9033, D9034. If channel B is selected, the 4K memory D9033, D9034 is loaded and then via bidirectionalbuffer D9035 the 4K memory D9031, D9032. The bidirectional buffer is controlled by or gate D9030/9,10,8. The input signals for these gates are explained on the next circuit diagram where they are generated. The output signals ENAD1-LT and ENAD2-LT are the enable signals for ADC 1 and ADC 2.

The contents of the acquisition memory can be transferred to the instrument's display section via the two-position multiplexers D9036, D9037. Depending on the state of pin 1 of the multiplexers (select databus) either the information from D9031, D9032 (pin 1 low) or the information from D9033, D9034 (pin 1 high) is transferred. When reading the contents of the acquisition memories their control input pin 20 is low and pin 21 is high.

11.3 ACQUISITION CONTROL LOGIC

The acquisition control logic plays the central role in the signal acquisition:

it generates all the necessary control signals for the ADC's, the acquisition memories, two counters and the exchange of data from acquisition part to the display part of the instrument.

The diagram comprises two counters. Counter 1 consists of the 4-bit counters D9053, D9054, D9056 and D-flipflop D9049. This counter can only count upwards and can be preset to 0000 by control signal RSCN1-LT (reset counter 1) because its data inputs are connected to 0V. The clock pulse for counter 1 is CKCN1 (clock pulse counter 1).

Counter 2 consists of the 4-bit counters D9061, D9062, D9063 and D9064. This counter can be preset to a certain preset value by control signal LDCN2-LT (load counter 2). This 13-bit preset value comes from the outputs of the latches D9058, D9059. These latches are loaded in advance by the instrument's microprocessor via the control signals CKPR1 (clock pretrigger) and CKPR2. Moreover counter 2 can count up or down: this is controlled by the signal UPDO (up/down). The counter counts up with UPDO being low and its counts down with UPDO high. Both counters have a range of 0 ... 4K in dual channel mode: two 4K memories for respectively channel A and B are addressed in parallel. The range in single channel mode is 8K because the two 4K memories are placed behind each other so that 8K must be addressed by the counter. The two-position multiplexers D9066, D9067 and D9068 select the address for the acquisition memory: this can be either the outputs of counter 1 (SLAQAB/select acquisition address bus = low) or the outputs of counter 2 (SLAQAB = high).

The acquisition system can take in information in two different modes that depend on the TIME/DIV setting of the instrument. The modes are D1 mode for 10 μ s ... 1ms/div and D2 for 2ms ... 50 μ s/div. The difference between the two modes is that in the D2 mode the waveform is built up on the CRT screen while the acquisition is busy taking-in signal samples.

Working principle of D1 mode (refer to timing diagram, the signals STate0 and STate1 are also given because they can serve as a reference):

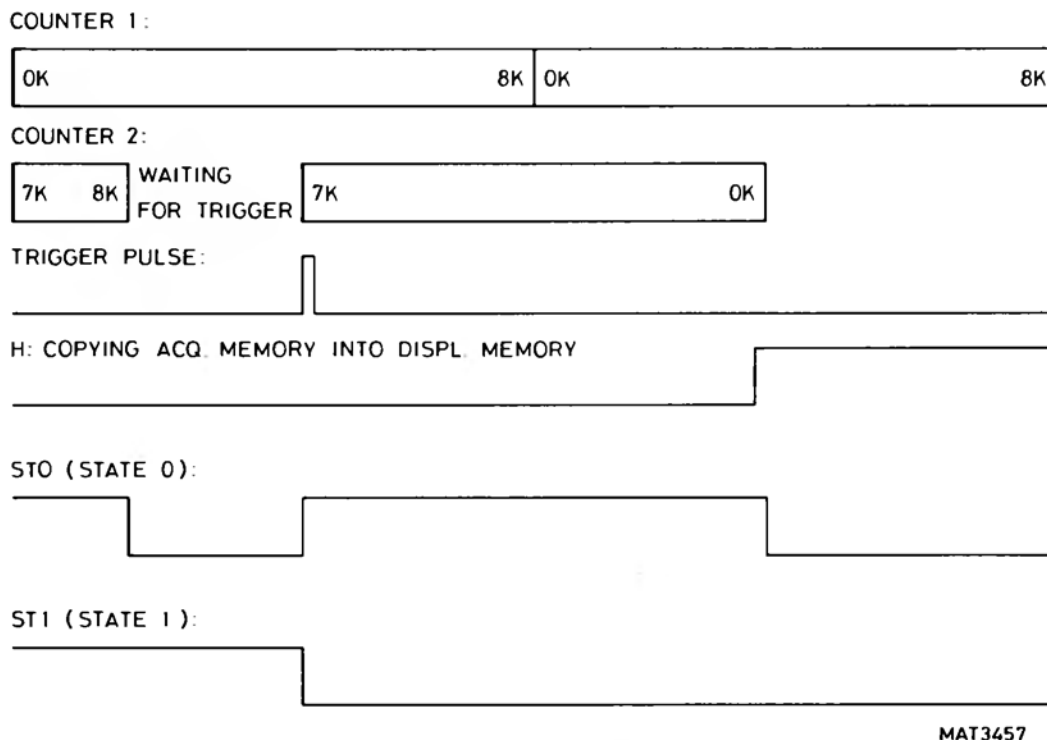


Figure 11.1 States of counter 1 and counter 2

The acquisition starts after reset of counter 1 to 0000 and after it has preset counter 2 to the so-called precharge-value. This value depends on the adjusted pretrigger value. If this value is e.g. -3 div, the precharge-value is in single channel $8192 - (3 * 400) = 6992$ (7K approx) because 1 div equals 400 samples then. In dual channel the value is $4096 - (3 * 200) = 3496$ because 1 div equals 200 samples then. The now following example is based upon a pretrigger value of -3 div in single channel mode:

the acquisition starts with counter 1 at 0000 and counts upwards so that the digitized signal samples from the ADC are placed in successive acquisition memory locations. At the same time counter 2 counts up from the precharge value towards 8192. The system can not trigger during this period; this assures that at least 3 div of signal are stored in memory before a trigger can occur. The clockpulse frequencies for counter 1 and 2 are equal during this mode. At the moment that counter 2 has reached 8192, it is reset to the precharge value (in this example 6992) and switched to count down mode. The system now is able to get triggered and stands waiting for a trigger pulse. This trigger pulse comes as "DSO TRIG SIGNAL" from connector X411 on the time base. It is applied to X9011 and consequently to D9050/pin13. Inbetween counter 1 goes on counting up and adressng successive acquisition memory locations. Counter 2 starts to count down from 6992 ... 0000 if the trigger occurs. This goes on until the value 0000 is reached: now counter 2 and also counter 1 stop. This is the moment that the acquisition memory contents are copied into the display memory. How this is done will be explained on the next diagram "display logic". However bear in mind that the copying of the acquisition memory starts at the counter 1 address succeeding to the address where the acquisition stopped. The aquisition memory contents are copied into the display memory locations starting with address 0000 and onwards. The copy action stops if the display memory has received 8K signal samples. After this a new acquisition stroke starts, and so on. However after a reset command in single (multiple) shot mode, only 1 (2) acquisition stroke is performed.

Working principle of D2 mode:

the start of the acquisition stroke is identical to the D1 mode. The various circuits are preset by the microprocessor, counter 2 counts up the precharge value and then the system can react on a trigger. If this trigger occurs, the system proceeds in a way different from D1 mode: while counter 1 keeps on writing in signal samples in the acquisition memory, counter 2 is generating addresses that read the acquisition memory in order to copy this information into the display memory. In this mode the address multiplexer D9066, D9067, D9068 of the acquisition memory switches between counter 1 (ADC information is written in) and counter 2 (acquisition memory copied into display memory).

The remaining circuitry on this diagram is control circuitry. Among this circuitry are FPLA (field programmable logic array) D9048 and PAL (programmable array logic) D9047.

The FPLA and the PAL can both be regarded as a programmed read only memory where a certain combination of inputs results in a combination of outputs. The relation between in- and outputs is determined by the way the device has been programmed. The difference between PAL and FPLA lies in the internal programming possibilities of both devices. The FPLA D9048 produces a number of control signals: STCV is used for the ADC's, WRAQ--LT is used via multiplexer D9064 to control the acquisition memories, SLAQAB controls the write/read address multiplexer, RSCN1-LT and CKCN1 control the write counter, ENADOTLT (enable ADC output) is used for the ADC's, UPDO and CKCN2 control the read counter, OTENRALT (output enable RAM) enables the acquisition memory.

The PAL D9047 produces also a number of control signals. ST0 (state 0) and ST1 represent the four different modes of the acquisition system. These modes are:

- counter 2 counting up the precharge value.
- system stands waiting for a trigger.
- counting down after the trigger until the information transfer starts.
- information transfer from acquisition memory to display memory.

Other PAL output signals are: LDCN2 (load counter 2), SLDB (select databus) used on circuit diagram "acquisition memories", CKDPL (clock display latch) used for information transfer on circuit diagram "display logic" and ST3 (state3) that controls FPLA D9048.

The latches D9059, D9052 generate control signals such as: the acquisition mode signals D1 and D2, the DUAL channel mode signal, TBMO0/TBMO1/TBMO2 for digital time base control and LCHA/LCHB for single channel mode with channel A or B.

11.4 DISPLAY LOGIC

The heart of this diagram is formed by the 32k display memory D9039. This IC of which half the capacity is used, incorporates the 8K display memory and the 8K register memory. In single channel mode 8K is used for the trace of one channel. In dual channel mode the even addresses of 8K are used for channel A and the odd addresses for channel B. The addresses for the display memory are generated by the ASIC (application specific IC) D9072. This device incorporates 3 address counters. Every counter has 12 bits and can address 4K of memory.

There are two additional static address lines that are set by the microcomputer so that 16K can be addressed as a total. The output of one counter is available at a time at the outputs DPAD00 ... DPAD14. The counter to be active at the outputs is determined by the control signals SC00, SC10 (select counters). The outputs DPAD13, DPAD14 are static bits and not derived from the counter outputs. The function of the three counters is now explained for the various modes that are possible. The three counters are used for (1) memory addressing during signal transfer from acquisition to display section, (2) memory addressing during the display cycle, (3) horizontal deflection during the display cycle and (4) transfer from display to register memory respectively.

Information transfer from acquisition to display memory.

The acquisition brings the signal samples one by one into latch D9038 via CKDPL (clock display latch). CKDPL is also applied to the control logic so that the display part knows that information is available. This information is taken from the latch by OTENDPLT (output enable display) and loaded into the D9039 memory address determined by the 4K counter in D9072, divide-by-two stage D9073 (total address range 8K) and multiplexer D9074. The timing of this action is given in the diagram below where two transfers are given:

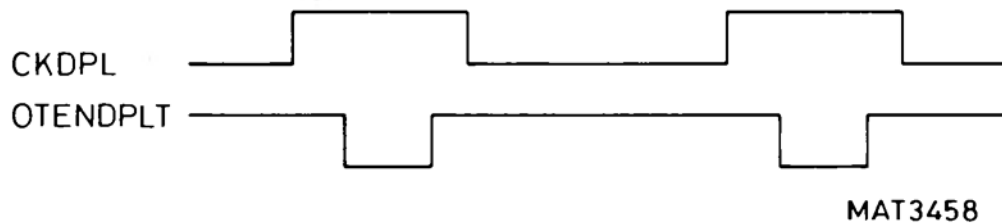


Figure 11.2 Timing diagram of signal transfer

If the display section has taken the signal sample it makes OTENDPLT high again. This is signalled to the acquisition control logic that makes CKDPL low again. Now a new signal sample can be transferred between the acquisition part and the display part. The two parts are independent and have their own systemclock (20 and 8MHz). The process that is shown can be regarded as a handshake process.

Signal display.

The display of signal means that the contents of a certain D9039 display/register memory location is converted into vertical and horizontal deflection. The vertical deflection is initiated by 8 bits DPDB00 ... DPDB07 from a certain addressed memory location. These 8 bits are applied to the Y DAC (digital to analog converter) via the multiplexers D9043, D9044. With the multiplexers in opposite position text and cursors are displayed.

The horizontal deflection is initiated by 10 bits DPAD02 ... DPAD11 that are applied to the X DAC via multiplexers D9078, D9077, D9076. With the multiplexers in opposite position text and cursors are displayed. There are 4K signal samples for one CRT screen and only 1K (equals 10 bits) for horizontal addressing. This means that at every horizontal position 4 signal samples are displayed. Now the role of the counters in D9072 on the display cycle:

one counter addresses 4K out of the 32K memory range. For this purpose 15 bits are necessary: 14 bits from the counter inside D9072 and 1 bit DPAD12 from Dflipflop D9049. The counter inside D9072 is presettable because of the instrument's display part function. The contents of the addressed memory location is placed in latch D9041. Now the counter inside D9072 that is responsible for the X deflection is applied to the outputs. Ten bits of information DPAD02 ... DPAD11 are applied via multiplexers to the X DAC. This counter must be able to count in steps of 1, 2, 4, 8, 16, 32 or 64. This in connection with the instrument's X EXPAND functions. Now the contents of latch D9041 is applied to the Y DAC while counter D9072 output determines the horizontal position of the dot on the screen via the X DAC.

Copying information from display memory into register:
during this action the acquisition is stopped and there is no signal display on the instrument's screen. During this action two counters inside D9072 get temporarily a different function. One counter addresses the display memory location from where a signal sample must be copied. This sample is temporarily stored in latch D9041. The other counter addresses the register memory location to where the sample must be copied.

Direct access of microprocessor into display/register memory:
the microprocessor is able to address all memory locations directly via the latches D9069, D9071 via control signal CPUEN (CPU enable). The data from the addressed memory location is accessible via bidirectional latch D9042. This makes it possible for the microprocessor to read and to write into the memory. This is necessary if the oscilloscope is controlled via the (optional) communication interface (reading from or writing into the memory) or when the RESET key is pushed (1000 0000 is written into the memory).

11.5 DAC CIRCUITS

This diagram incorporates the (vertical) Y DAC and the (horizontal) X DAC and their output amplifiers. For the Y section a 8 bits DAC is used. It has 2 outputs delivering a balanced current output signal that is applied to an amplifier stage V9107, V9108 with gain and offset adjustments. The signal current in each output branch is 0,1 mA/div and is applied to D602/pin 5 and 6 on adaptation unit A16. The circuit with V9102 and V9106 has all transistors in conductive state in the dot join mode because signal TRAMO-HT (trace mode) is high then. The circuit switches on low pass circuits by activating the capacitors C9102 (lowpass with R9107), C9103 (low pass with R9112), C9104 (low pass with R9108) and C9106 (low pass with R9113). The low pass filters give the result that the spot on the screen between one sample and the next one moves gradually. With the low pass filters not activated, the spot moves in steps.

For the X section a 10 bits DAC is used. It has two outputs delivering a balanced current output signal of which one is not used and connected to 0V. The other output is applied to V9119 that converts current into voltage. This voltage signal (range 0 ... 6V) is applied to the time base unit A4 via emitter follower V9121. Also the X deflection circuit has a smoothing circuit for the dot join mode. This circuit comprises V9122 that switches on C9111, C9112. The working principle is identical to the corresponding circuit in the Y deflection part.

11.6 DISPLAY AND TIME BASE CONTROL

This diagram comprises the digital time base and logic for display control.

The digital time base is driven by 40MHz X-tal oscillator G9001. The 40MHz output signal is divided by two cascaded D-flipflops D9003 so that 20 and 10MHz square waves are available. Divider D9002 divides the 40MHz signal into 4 and 8 MHz signals for the the digital time base. The signals of 20, 10, 8 and 4 MHz are used for the fastest sweep speeds. They can be selected via multiplexer D9006. This multiplexer is controlled by address lines TBM00, TBM01, TBM02 that come from latch D9052 on circuit diagram "acquisition control logic". The 20MHz signal is used for 10 and 20us/div in single channel. For 20us/div dual channel 10MHz is used. 8MHz (4MHz) is used for 50us/div in single (dual) channel mode.

The 8MHz signal is also routed to a programmable divider D9004. Output pin 10 of this device is used for sweep speeds 0,5ms ... 0,5 s/div. This output signal is applied to the input (pin 15) of a second divider that makes the sweep speeds 1 ... 50 s/div. The programmable divider is controlled by the microcomputer via the data lines ABDB00 ... ABDB07 and the address lines UPAD00, UPAD01. Other control lines from the microcomputer are UPWR (microprocessor write) and CSTB (chip select time base).

The display control logic:

this part of the circuit generates the control signals for the display section.

The circuit is controlled by the microcomputer data bits ABDB00 ... ABDB06 via latch D9024. The latch is loaded with the information on the data bus via signal CKDSP-LT (clock display). Because the display system works asynchronously from the microcomputer, the latch D9024 is followed by a second latch D9026 that is read out by the signal SC10 that is synchronous with the 8MHz clock of the display control logic. The control signals that are generated by the two PAL's D9027, D9028 and multiplexer D9029. A PAL is a programmable array logic of which the function is already discussed during the explanation of circuit diagram of acquisition control logic. The multiplexer D9029 is enabled indigital memory mode (MEMON-LT low). The multiplexer positions are determined by TRAMO-HT (trace mode; H if signals are displayed, L if text/cursors are displayed). D9029 makes two output signals of which ZCONTR-LT is used to determine the intensity of the spot on the screen via V4618 on the time base. A low level switches the display on. This level is determined by ZCONTR (signal display) or by ZTENO(text/cursor display). This last signal comes from the text/cursor generator.

The other D9029 output signal XYDTCLLT switches the multiplexers D9043 ... D9076 that switch the Y and X deflection in memory on between signal and cursor/text display. This signal is the 10MHz clock in case of text/cursor display and XYDTCL in case of signal display. The most important output signals that are generated in the display control logic are:

- CPUEN-LT: L enables the display RAM so that the microcomputer can read/write into it.
 - STYDT-LT, RTYDT-LT, YDTCL-HT: L gives set/reset to flipflop D9049 in display RAM section. The clock is YDTCL-HT.
 - SLDPRALT: L selects display RAM D9039.
 - CNTCL-HT: clockpulse for transfer counter D9073.
 - OTENDPLT: L transfers acquisition memory information from latch 9038 into display RAM D9039.
 - DPRAWRLT: L enables display RAM D9039
 - CKCPL-HT, ENCPL-LT: clock and enable pulse for copy latch D9041 for copying from display into register memory.
- The most important input signals are:
- TCCPCNHT: H if terminal count occurs of counter that controls transfer from acquisition to display memory.
 - LOCK: H if system is in locked mode.
- The following timing signals are used:

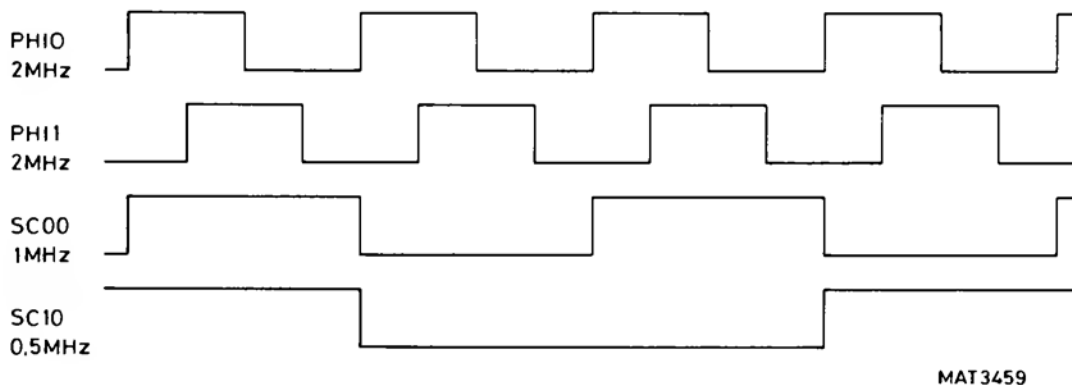


Figure 11.3 Timing diagram display and time base control

The supply voltage for the IC's D9014 (microprocessor RAM), D9046 (switch IC), D9039 (display memory/register) is coming from the +5V power supply via diode V9002 and V9003 if the line voltage is on. If the line voltage is off, the supply is coming from a back-up battery via diode V9001 (BAV0).

11.7 CPU LOGIC

This diagram comprises two main parts: the microcomputer and the textgenerator. The microcomputer consists of the 8 bit microprocessor D9012 with a read-only memory D9013 and a random access memory D9014. The address and databits UPADB00 ... UPADB07 of the microprocessor are combined and the address information is separated by the latch D9016 under control of the signal ALE (address latch enable). The read-only memory is enabled by the signal PSE(program store enable) that is generated by the microcomputer. The random access memory is enabled by signal CSUPRALT (chip select microprocessor RAM) and controlled by either UPRD--LT (microprocessor read) or UPWR--LT(microprocessor write). The buffer D9018 that is enabled by signal SFTKY-LT(softkey) permits the microcomputer to read the five softkeys under the CRT and the uncal positions of the verniers of channel A, B and time base. The buffer D9017 is used as a buffer because of the maximum fan-out of the processor.

The text generator D9079 is written in by the microprocessor by the databits ABDB00 ... ABDB07 and the address bits UPAD08, UPAD09 via the commands UPWR and TXTSL-LT (text select). The text generator uses the same 10MHz clock signal as the microcomputer. Output signals of the text generator are 10 bits TXDB00 ... TXDB09 that are used for horizontal positioning of the text and 8 bits Y2 ... Y9 that are used for vertical positioning. The signal ZTEN0 determines the intensity when text is written. The text generator is functioning under control of the microprocessor in a display cycle where 9,5 ... 10 ms is reserved for writing text/cursors, then 9 ms to write signal and then text/cursors, and so on.

The remaining circuitry on this diagram consists of decoding circuitry. D9019 incorporates two demultiplexers. Depending on a two bit address, one out of the four output lines is low if the enable output is low. D9021 is a demultiplexer with 8 outputs of which one is low at a time depending on a three bit address and if two enable lines are low and one line is high. Some of the control signals that are generated in this circuit are:

- CSDSP-LT (chip select display): enables the latch D9042 that gives the microcomputer direct access to the display/register memory.
- DPCNT-LT (display counter chip select): microcomputer can write data into display counter D9072.
- RSCPCNLT: reset pulse for the counter that controls the data transfer between acquisition and display memory.
- OPTWR-LT (option write):
- TXTSL-LT (text select): microcomputer can enable text generator via this line.
- CKMOR (clock mode register): clock pulse for latch D9052 that serves as mode register in acquisition control logic.
- CSTB--LT (chip select time base): chip select for time base IC D9004.
- CKPR1, CKPR2 (clock preset 1/2): clock pulse for latches that are loaded with the preset value for a 8K counter on the acquisition control logic.
- CKDSP-LT: clock pulse for latch D9024 on display mode control logic.

11.8 SIGNAL NAME LIST

Signal Name	Description	Signal Source	Signal Destination
1CHA	Single channel A	D9052	D9030, D9035
1CHB	Single channel B	D9052	D9030
BR	Bank read	D9064	D9047
CK08M	8 MHz clock	D9002	D9004, D9006 D9027, D9028
CK10M	10 MHz clock	D9003	D9006, D9012, D9029, D9079
CK20M	20MHz clock	D9003	D9003, D9006, D9047
CKCN1	Clock counter 1	D9048	D9053, D9054, D9056
CKCN2	Clock counter 2	D9048	D9061, D9062, D9063, D9064
CKCPL-HT	Clock copy latch	D9028	D9041
CKDPL	Clock display latch	D9047	D9027, D9038, D9048
CKDSP-LT	Clock display register	D9021	D9024
CKMOR	Clock mode register	D9021	D9052
CKPR1	Clock preset 1	D9021	D9058
CKPR2	Clock preset 2	D9021	B9059
CNTCL-HT	Count clock	D9082/8	D9072, D9073
CNTCL-LT	Count clock	D9027	D9082/9
CNTOF-HT	Count overflow	D9072	D9073, D9028, D9082/5
CPUEN-HT	CPU enable	D9026	D9023, D9027, D9028, D9072, D9074
CPUEN-LT	CPU enable	D9023	D9069, D9071
CSDSP-LT	Chip select display	D9022/3	D9022, D9042
CSTB-LT	Chip select time base	D9021	D9004
CSUPRALT	Chip select uP RAM	D9046/3	D9014, D9047

Signal Name	Description	Signal Source	Signal Destination
D1	Tb mode 20us...2ms/div	D9052	D9047, D9048
D2	Tb mode 5ms...50s/div	D9052	D9047, D9048
DPCNT-LT	Display counter chip select	D9019	D9072
DPRAWRLT	Display RAM write	D9022/11	D9039
DSPEN-HT	Display enable	D9026	D9027, D9028
DSPWR-LT	Display write	D9019	D9022/2, D9022/13
DUAL	Dual trace mode	D9052	D9030, D9047, D9048, D9051
ENAD1-LT	Enable ADC 1	D9030	N9001
ENAD2-LT	Enable ADC 2	D9030	N9002
ENADOTLT	Enable ADC output	D9048	D9030/10, 2, 4
ENCPL-LT	Enable copy latch	D9028	D9041
LDCN2-LT	Load counter 2	D9047	D9061, D9062, D9063, D9064
LOCK--HT	Lock mode of system	D9026	D9027
MEMON-HT	Memory on	D9059	D9023/13
MEMON-LT	Memory on	D9023/12	D9029
OPTRQ-LT	Option request	D9046	D9012, X9050
OPTWR-LT	Option write	D9021	X9050
OTENDPLT	Output enable display	D9027	D9038, D9050
OTENRALT	Output enable RAM	D9048	D9031, D9032, D9033, D9034
PSE--LT	Program store enable	D9012	D9013
REGEN-HT	Register enable	D9026	D9027, D9028
RESET-HT	Reset power on	X9050	D9012, D9046/8
RESET-LT	Reset power on	D9046/9	D9046/5, D9024, D9026, D9046/13, D9079, D9045
RSCN1-LT	Reset counter 1	D9048	D9049, D9053, D9054, D9056

Signal Name	Description	Signal Source	Signal Destination
RSCPCNLT	Reset CP counter	D9021	D9073
RTYDT-LT	Reset Y D-flipflop	D9026	D9049
SC00	Select counter	D9027	D9028, D9072, D9074
SC10	Select counter	D9027	D9028, D9072, D9073, D9074 D9082
SCL	Serial clock	D9012	X9050
SDA	Serial data	D9012	X9050
SFTKY-LT	Softkey select	D9019	D9018
SLAQAB	Select aquisition address bus	D9048	D9066, D9067, D9068
SLDB	Select databus	D9047	D9036, D9037, D9048
SLDPRALT	Select display RAM	D9022/6	D9046/1
ST0	State 0	D9047	D9048
ST1	State 1	D9047	D9048
ST2	State 2	D9047	D9048
STCV	Start conversion	D9048	D9050, N9001 N9002
STYDT-LT	Set Y D-flipflop	D9026	D9049
TBCK	Time base clock	D9006	D9048
TBMO0	Time base mode 00	D9052	D9006
TBMO1	Time base mode 01	D9052	D9006
TBMO2	Time base mode 02	D9052	D9006
TCCN1-LT	Terminal count counter 1	D9057/12	D9049
TCCN2-LT	Terminal count counter 2	D9057/6	D9050
TCCPCNHT	Terminal count copy counter	D9073	D9023, D9027, D9047
TCCPCNLT	Terminal count copy counter	D9023/8	D9012
TCD1	Terminal count D-flipflop 1	D9049/9	D9050, D9051
TCXD	Terminal count X data	D9028	D9027

Signal Name	Description	Signal Source	Signal Destination
TRAMO-HT	Trace mode (txt/signal)	D9059	D9029, D9043, D9044, D9076 D9077, D9078 V9101
TXTSL-LT	Text select	D9021	D9079
UPDO	Up /down counter 2	D9048	D9061, D9062, D9063, D9064
UPRD--LT	Microprocessor read	D9012	D9014, D9017, D9017, D9019, D9042, X9050
UPWR--LT	Microprocessor write	D9012	D9004, D9014, D9019, D9079, D9082
VERTIIC	Vertical IC	D9012	X9050
WRAQ--LT	Write acquisition	D9048	V9003, D9049
WRAQ1-LT	Write acquisition 1	D9051	D9031, D9032
WRAQ2-LT	Write acquisition 2	D9051	D9033, D9034
WRB---LT	Write buffer	D9082/3	D9072
XPOSCAL	X position calibrated	D9059	X9016
XYDTCLLT	X/Y data clock	D9029	D9043, D9044, D9076, D9077, D9078
YDTCL-HT	Y D-flipflop clock	D9023/10	D9049
ZCNTR-LT	Z control	D9029	V9004
ZTEN0	Z text enable	D9079	D9029
ABDB00//07	Buffered uP data bus	D9017	D9004, D9014, D9018, D9024, D9042, D9052, D9058, D9059, D9072, D9079
AQAB00//03	Acquisition address bus	D9066	D9031, D9032 D9033, D9034
AQAB04//07	Acquisition address bus	D9067	D9031, D9032, D9033, D9034
AQAB08//10	Acquisition address bus	D9068	D9031, D9032 D9033, D9034
AQAB11	Acquisition address bus	D9068	D9031, D9033 D9023/5

Signal Name	Description	Signal Source	Signal Destination
AQDB00//03	Acquisition data bus	N9001	D9031, D9032, D9035, D9036
AQDB04//07	Acquisition data bus	N9001	D9031, D9032, D9035, D9037
AQDB10//13	Acquisition data bus	N9002	D9033, D9034 D9035, D9036
AQDB14//17	Acquisition data bus	N9002	D9033, D9034 D9035, D9037
AQDBAB00//03	Acquisition data bus A/B	D9036	D9038
AQDBAB04//07	Acquisition data bus A/B	D9037	D9038
DPAD00,01	Display address	D9069	D9039, D9072
DPAD02,03	Display address	D9069	D9039, D9072 D9078
DPAD04//07	Display address	D9069	D9039, D9072 D9077
DPAD08//11	Display address	D9071	D9039, D9072 D9076
DPAD12//14	Display address	D9071	D9039, D9072
DPDB00//03	Display data bus	D9038 D9042	D9039, D9041 D9043
DPDB04//07	Display data bus	D9038 D9042	D9039, D9041 D9044
DXDB00,01	Deflection X data bus	D9078	N9004
DXDB02//05	Deflection X data bus	D9077	D9004
DXDB06//09	Deflection X data bus	D9076	D9004
DYDB00//03	Deflection Y data bus	D9043	D9003
DYDB04//07	Deflection Y data bus	D9044	D9003
PRAB00//03	Pretrigger address bus	D9058	D9061
PRAB04//07	Pretrigger address bus	D9058	D9062
PRAB08//11	Pretrigger address bus	D9059	D9063
PRAB12	Pretrigger address bus	D9059	D9064

Signal Name	Description	Signal Source	Signal Destination
RDAB00//03	Read address bus	D9061	D9066
RDAB04//07	Read address bus	D9062	D9067
RDAB08//11	Read address bus	D9063	D9068
TXDB00,01	Text X data bus	D9079	D9078
TXDB02//05	Text X data bus	D9079	D9077
TXDB06//09	Text X data bus	D9079	D9076
TYDB02//05	Text Y data bus	D9079	D9043
TYDB06//09	Text Y data bus	D9079	D9044
UPAD00,01	Microprocessor address	D9016	D9004, D9013, D9014, D9069, D9072
UPAD02	Microprocessor address	D9016	D9013, D9014, D9069
UPAD03//07	Microprocessor address	D9016	D9013, D9014, D9069
UPAD08//11	Microprocessor address	D9012	D9013, D9014, D9071, D9079, X9050
UPAD12	Microprocessor address	D9012	D9013, D9014, D9021, D9071
UPAD13	Microprocessor address	D9012	D9013, D9021, D9071
UPADB00//07	Microproc. address/data bus	D9012	D9013, D9016, D9017, X9050
WRAB00//03	Write address bus	D9053	D9066
WRAB04//07	Write address bus	D9054	D9067
WRAB08//11	Write address bus	D9056	D9068

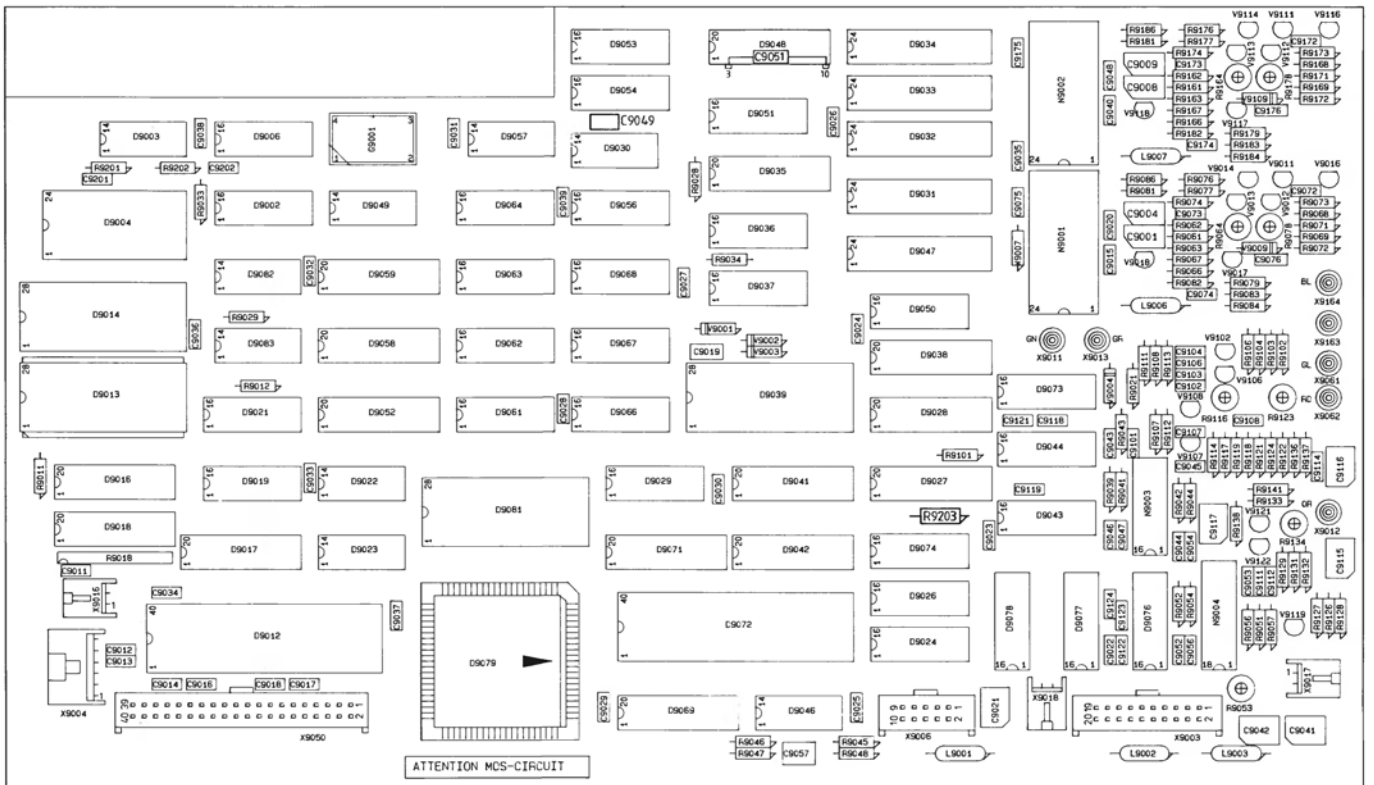


Figure 11.4 Digital unit, p.c.b. lay-out

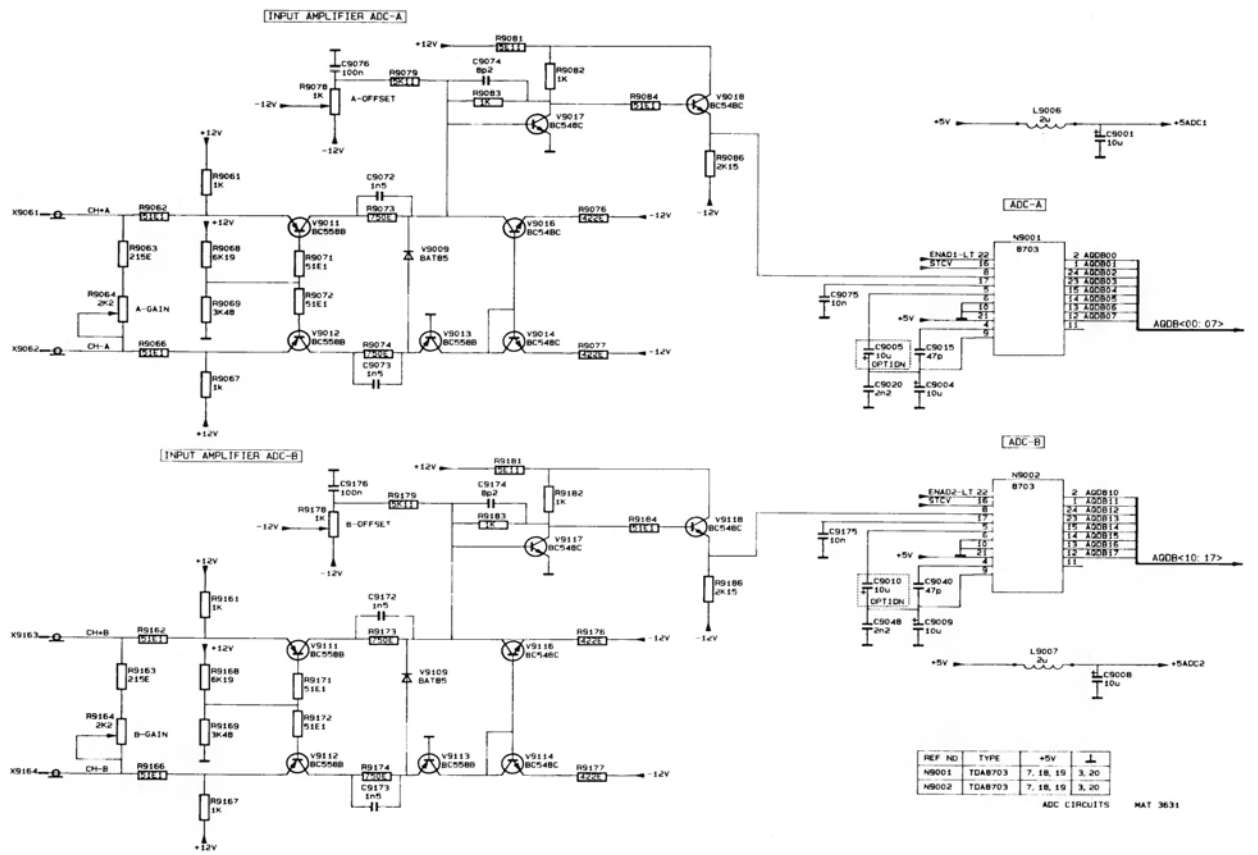


Figure 11.5 Circuit diagram of input amplifiers and ADC circuit

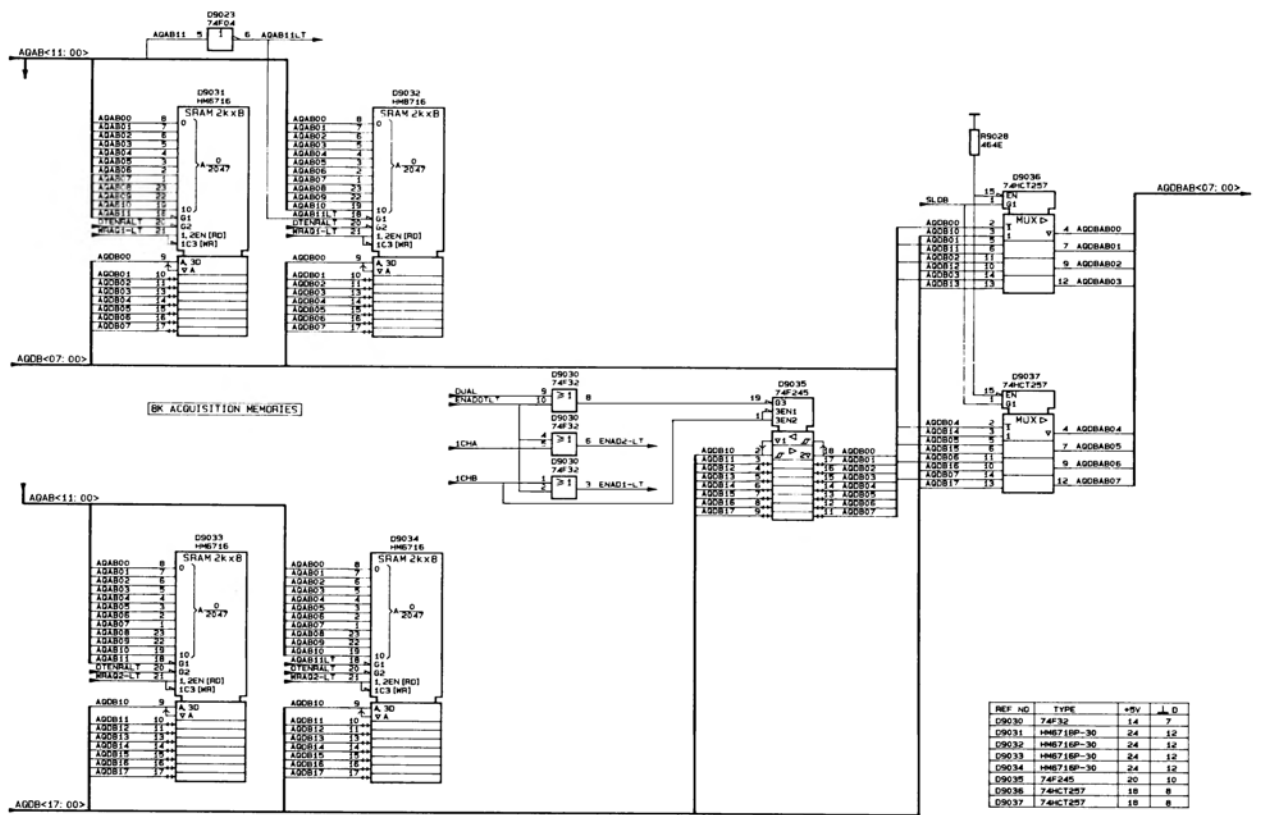


Figure 11.6 Circuit diagram of acquisition memories

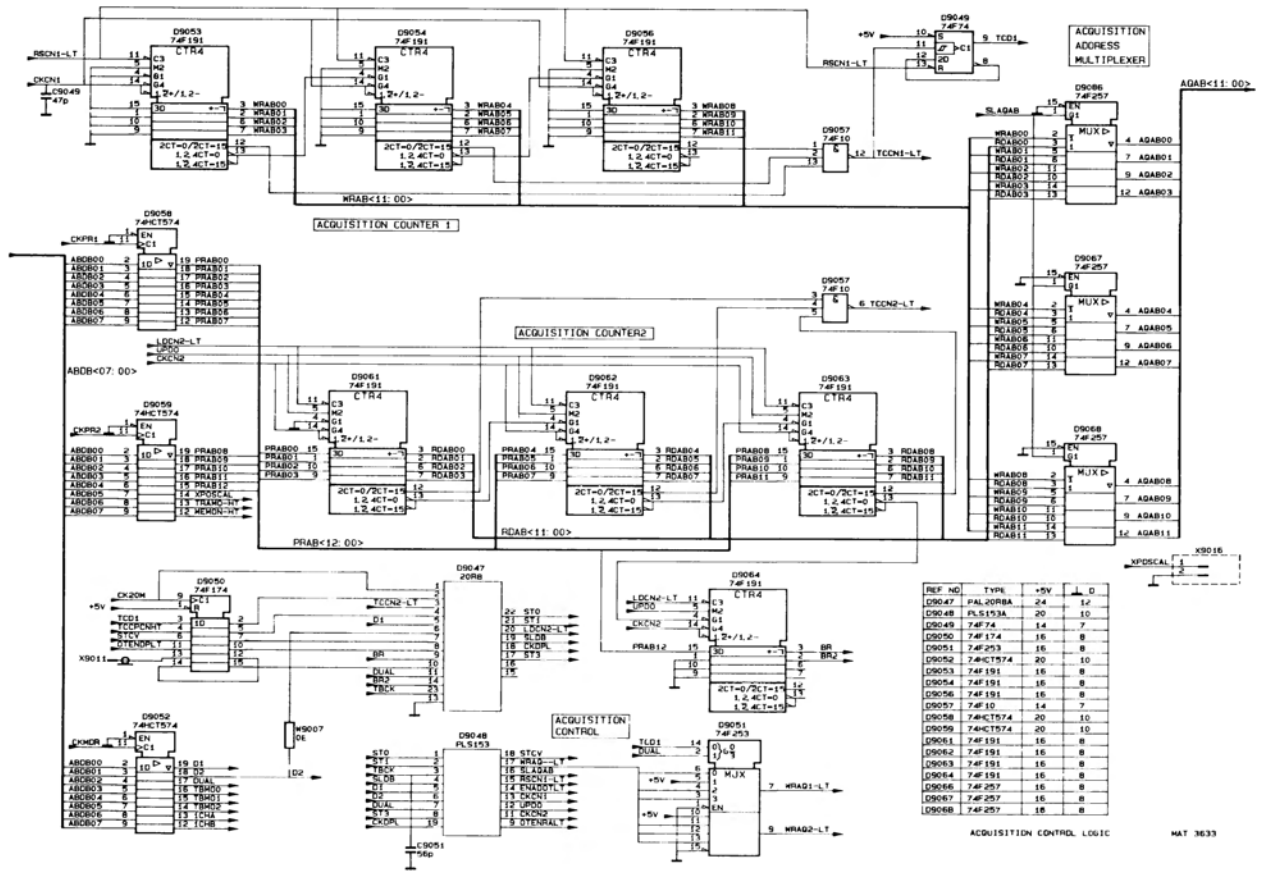
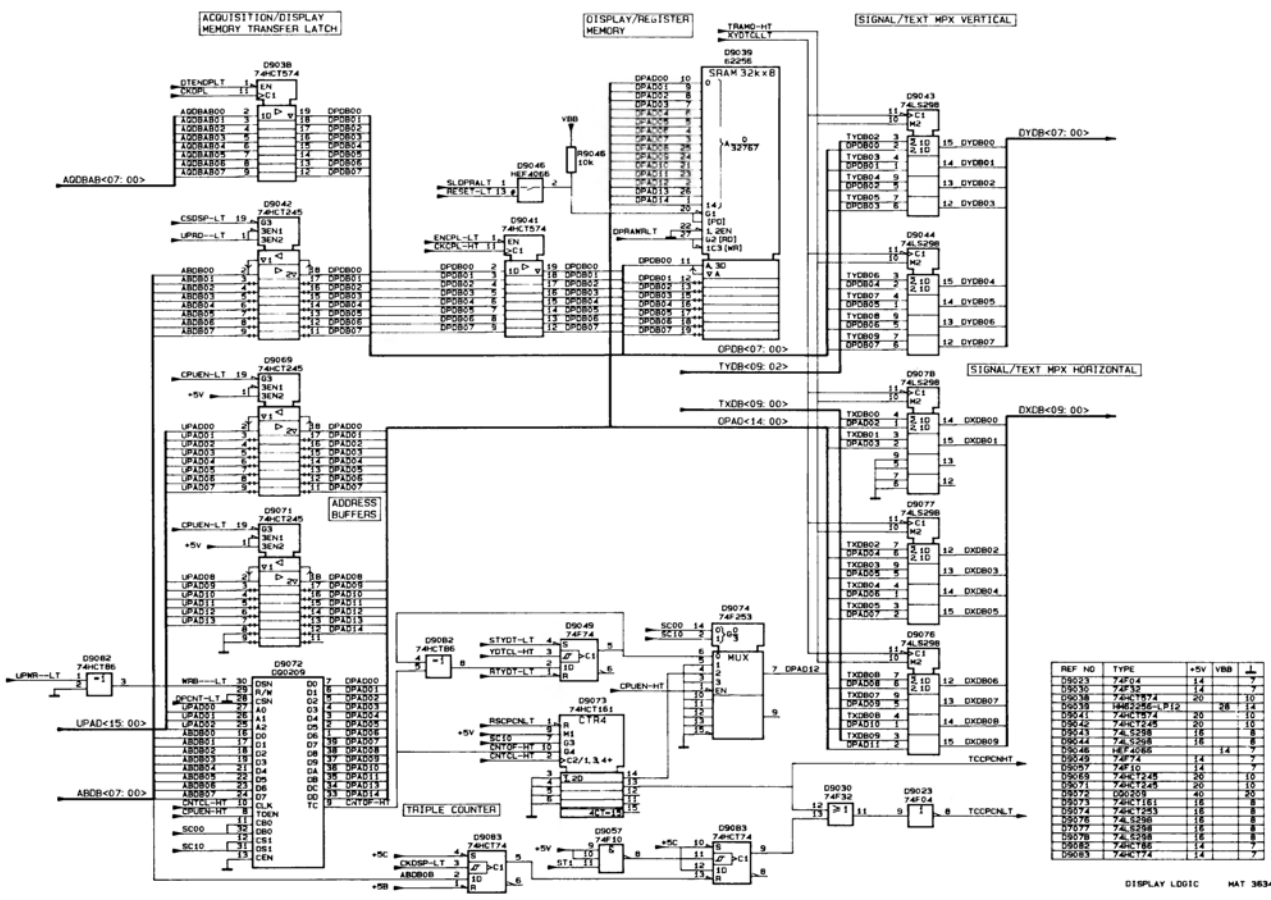
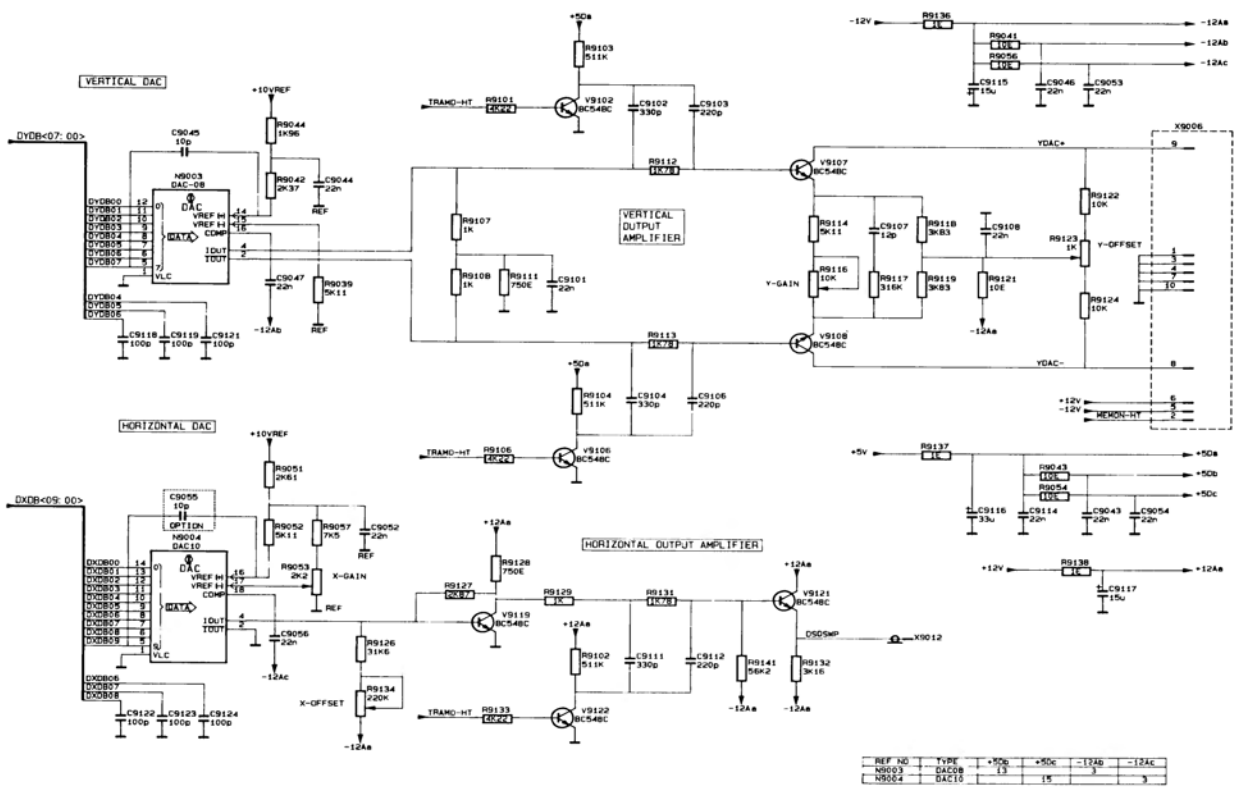


Figure 11.7 Circuit diagram of acquisition control logic



REF NO	TYPE	+5V	VBB	↓
D9023	74F04	14	7	
D9030	74F59	14	7	
D9038	74C1574	20	28	14
D9039	74C1574	20	28	14
D9041	74C1574	20	28	14
D9042	74C1245	20	10	
D9043	74C1574	20	28	14
D9044	74C1574	20	28	14
D9046	74C1574	20	28	14
D9049	74F74	14	7	
D9059	74F10	14	7	
D9069	74C1245	20	10	
D9071	74C1245	20	10	
D9072	74C1245	20	10	
D9073	74C1151	16	8	
D9074	74F253	16	8	
D9076	74C1574	20	28	14
D9077	74C1574	20	28	14
D9078	74C1574	20	28	14
D9079	74C1574	20		



REF NO	TYPE	+5V	+5Ac	-12V	-12Ac
N9003	DAC08	13	3		
N9004	DAC16	15	3		

DAC CIRCUITS MAT 3835

Figure 11.9 Circuit diagram of DAC-circuits

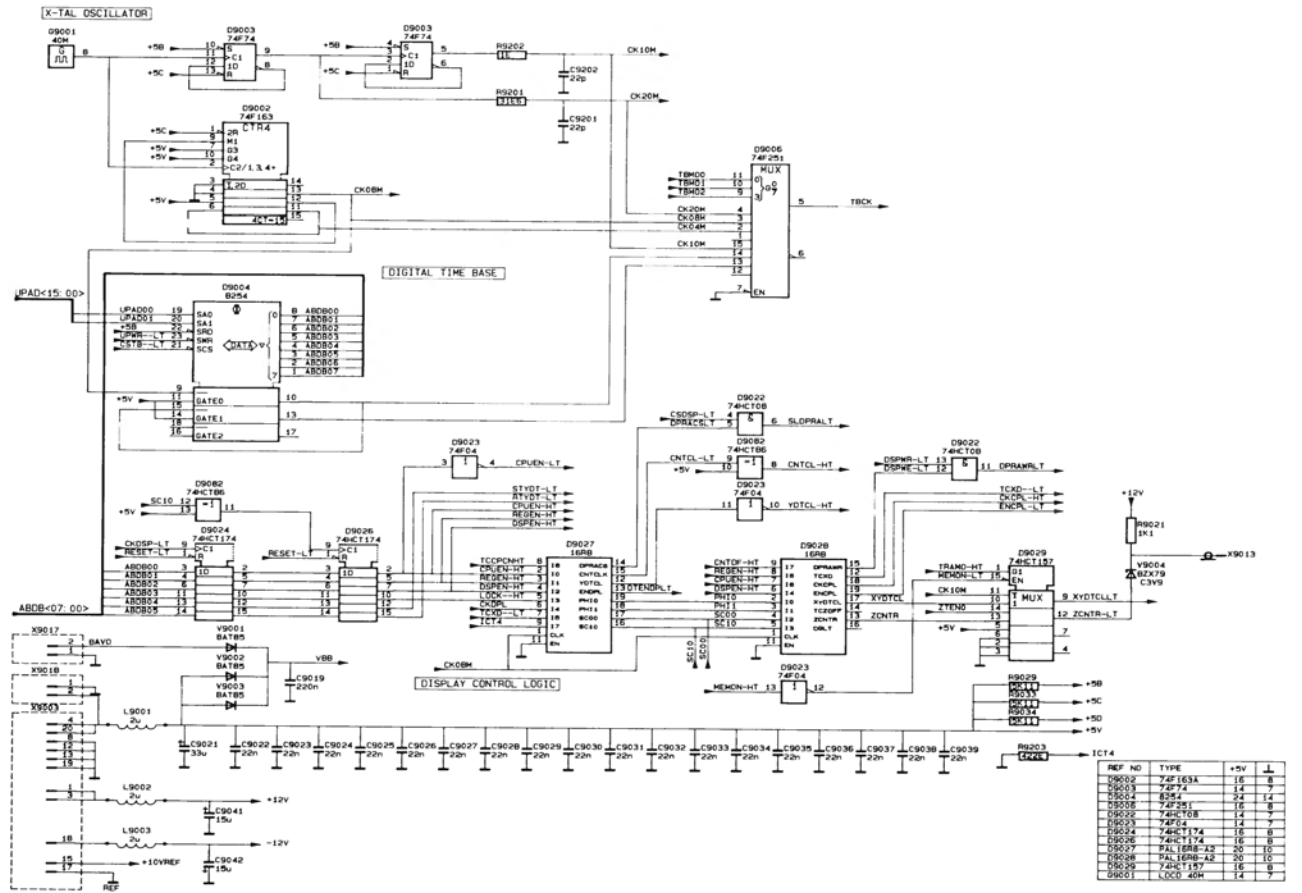


Figure 11.10 Circuit diagram of display and time base control

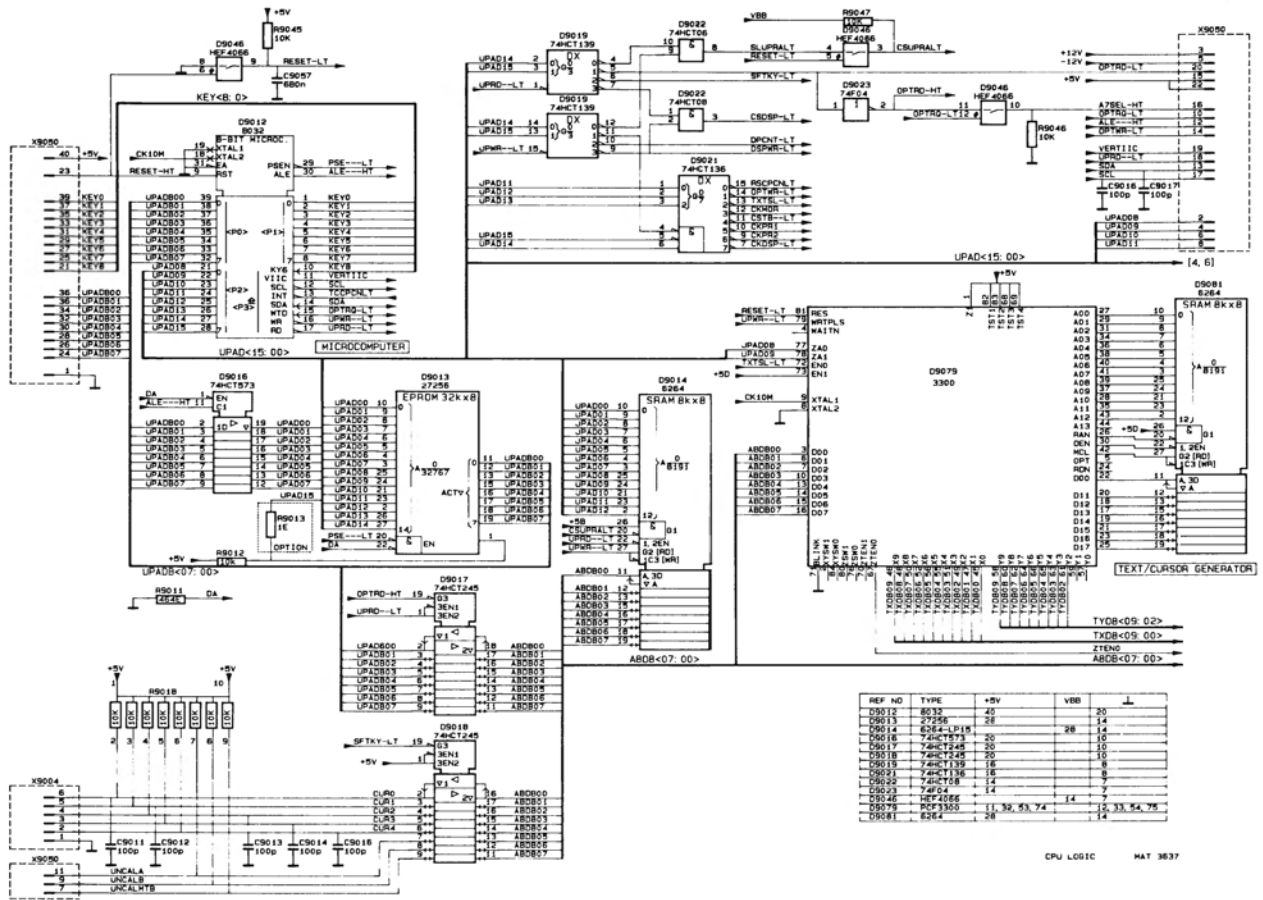


Figure 11.11 Circuit diagram of CPU logic

12. ADAPTATION UNIT (A16)

12.1 VERTICAL DISPLAY MODE SWITCH

The adaptation unit consists of diode switches. Depending on the selection of real-time mode or digital memory mode, the current signals of channels A and B are applied via the so-called "analogue signal path" or the so-called "digital signal path". The diode switches are under control of the signals SHAR and SHARN. The selection table is as follows:

signal	real-time mode	digital memory mode
MEMON-HT	LOW	HIGH
SHAR	-12 V	+12 V
SHARN	+12 V	-12 V

12.2 REAL TIME MODE AMPLIFIER

Selection of the analog signals path means that the current signals of channels A and B are directly coupled to the inputs of the analogue vertical channel switch D601 via diodes V609, V611, V612 and V613. The two devices D601 and D602 are connected in parallel and have the following switch selections:

	D601 pin 10	pin 11	D602 pin 10
A	1	0	0
B	0	1	0
TRIG LEVEL VIEW	0	0	0
ADD	1	1	1

Furthermore all possible 2, 3 or 4 channel combinations are possible in alternated and chopped display (see also chapter 5).

The stage comprises the following real-time functions:

- Channel B normal/invert (HIGH is invert) on D601-11.
(The balance between normal/invert can be adjusted with R2212, see chapter 5)
- Trigger view invert (HIGH is invert) on D602-2.

The output is applied to the delay line driver on unit A2.

Channel A position control is obtained via long-tailed pair amplifier V626 and V627. This circuit is sourced by current source V628 and driven by N601. The channel B position control is identical but also includes a multiplexer D603 for normal/invert function.

12.3 DIGITAL MEMORY AMPLIFIER

Selection of the digital signal path means that the current signals of channels A and B are coupled to the common-base amplifier V616, V617, V621 and V622.

Because of the +12 V level of SHAR these transistors conduct and the currents are routed to the output. The output currents are applied to the digital unit A9.

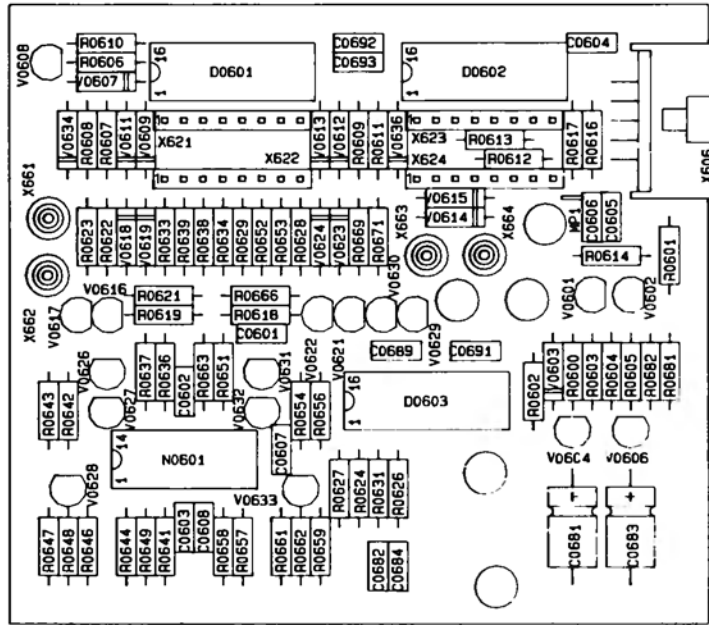
The position controls for both channels are determined by the same circuit as for the real-time path.

Next, MEMOM-HT also causes the selection of the vertical current signals -YDAC and +YDAC. These signals are now routed to the delay-line driver via D602 on unit A2. Note that the DLD1 and DLD2 outputs are only interconnected on A2 (see also figure 5.1).

In digital memory mode, selection can be made for trigger level view by applying a high level to D602-10. This d.c. signal is received from the trigger level view pre-amplifier on unit A2.

12.4 SIGNAL NAME LIST

Signal name	Description	Signal source	Signal destination(s)
CHA	Channel A selection	D2603	D601
CH+A	Channel +A output	V616	R702
CH-A	Channel -A output	V617	R707
CH+AI	Channel +A input	D2002	V611 - V618 - R638
CH-AI	Channel -A input	D2002	V609 - V619 - R639
CHB	Channel B selection	D2603	D601
CH+B	Channel +B output	V622	R702
CH-B	channel -B output	V621	R701
CH+BI	Channel +B input	D2102	V613 - V624 - R653
CH-BI	Channel -B input	D2102	V612 - V623 - R652
DLD1	Delay line driver ch A	D601	D2203
DLD2	Delay line driver ch B	D602	D2203
INVAM	Invert ch A	D2602	D602
INVB	Invert ch B	D2602	D601 - D603
MEMOM-HT	Memory on	D222	R601
POS A	Position ch A	R2200	R634
POS B	Position ch B	R2220	R629
+TRIG	+ Trigger	R2404	D602
-TRIG	- Trigger	R2412	D602
TRGVW	Trigger view	D2603	D602
SHAR	Store hardware	V604/V606	V614 - V615
SHARN	Store hardware not	V608	V634 - V635
+YDAC	+ Y DAC signal	V531	R617
-YDAC	- Y DAC signal	V532	R616



MAT3638
890428

Figure 12.1 Adaptation unit, p.c.b. lay-out

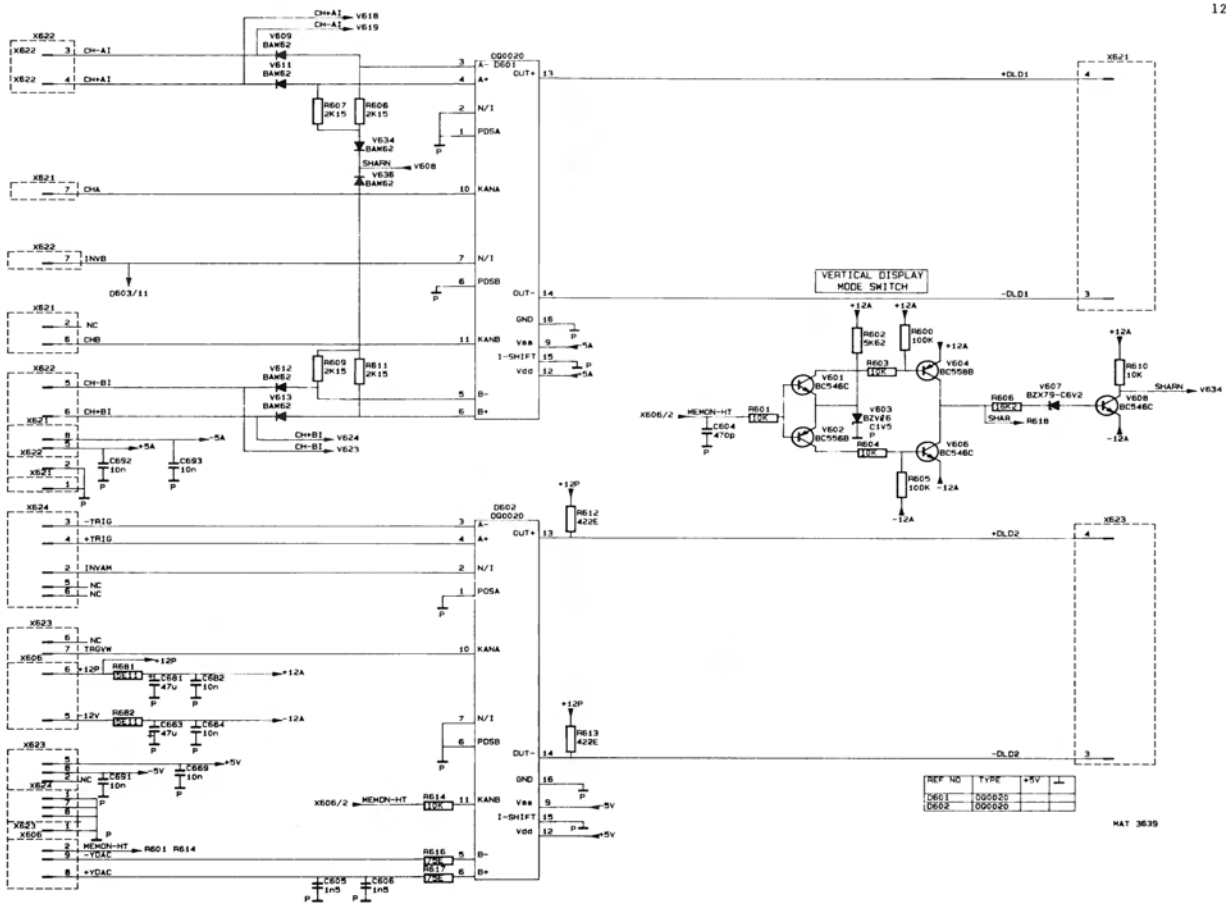


Figure 12.2 Circuit diagram of adaptation unit, section 1

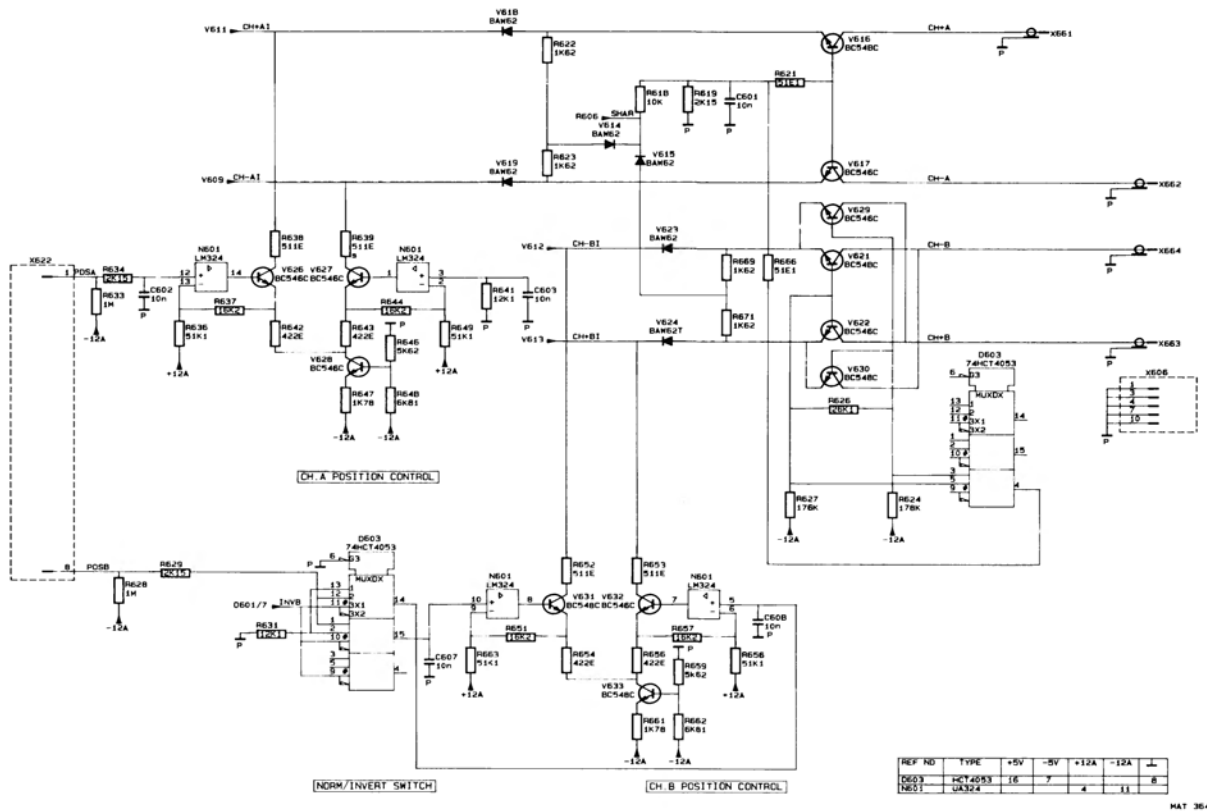


Figure 12.3 Circuit diagram of adaptation unit, section 2

13. PERFORMANCE CHECK

13.1 GENERAL INFORMATION

WARNING: Before switching-on, ensure that the instrument has been installed in accordance with the Installation Instructions outlined in Section 2 of the Operating Guide.

This procedure is intended to:

- Check the instruments' specification.
- Be used for incoming inspection to determine the acceptability of newly purchased instruments and/or recently recalibrated instrument.
- Check the necessity of recalibration after the specified recalibration intervals.

NOTE: The procedure does not check every facet of the instruments calibration; rather, it is concerned primarily with those parts of the instrument which are essential to measurement accuracy and correct operation. Removing the instrument's covers is not necessary to perform this procedure. All checks are made from the outside of the instrument.

If the test is started within a short period after switching-on, bear in mind that steps may be out of specification, due to insufficient warming-up time.

Warming-up time under average conditions is 30 minutes.

The performance checks are made with a stable, well-focused, low-intensity display. Unless otherwise noted, adjust the intensity and trigger-level controls as needed.

IMPORTANT NOTES

- * At the start of every check, the controls always occupy the AUTO SET position, unless otherwise stated.
- * The input voltage has to be supplied to the A-input; unless otherwise stated. Set the TIME/DIV switch to a suitable position; unless otherwise stated.
- * Tolerances given are for the instrument under test and do not include test equipment error. Bear in mind that the test equipment is properly terminated.
- * In some checks channel B is mentioned between brackets () behind channel A. It is advised to perform first channel A checks. After that the checks for channel B can be done.

13.2 PRELIMINARY SETTINGS

- Switch-on the instrument (no input signal).
- Check if all LCD segments are on for approx. 1 sec.
- Put the instrument in DIGITAL MEMORY off mode. The LCD text DIGITAL MEMORY is not visible then. All test steps are made in this instrument mode, unless otherwise mentioned.
- At the start of every check only AUTO SET must be pressed (after the input signal is applied).

13.3 RECOMMENDED TEST EQUIPMENT

The test equipment that must be used for this performance check is as given in section 15.2, except :

Trimming tool kit
Oscilloscope
Digital multimeter

13.4 CHECKING PROCEDURE

13.4.1		POWER SUPPLY
*	SUBJECT	Line voltage input
	TEST EQUIPMENT	Variable mains transformer
	MAINS VOLTAGE	Between 100 V and 240 V ac (r.m.s.) Frequency: 50 Hz...400 Hz
	SETTINGS	- Press POWER ON - Apply CAL signal to input A via a 10:1 probe - Press AUTO SET
	REQUIREMENTS	- Starts at any mains voltage between 100 V...240 V ac (r.m.s.) - Instrument performance does not change across indicated mains voltage range; displayed CAL signal distortion-free and with equal intensity.

	MEASURING RESULTS
*	SUBJECT	Power Consumption (ac source)
	TEST EQUIPMENT	Wattmeter (moving iron meter)
	MAINS VOLTAGE	Local mains voltage 110, 220 or 240 V (r.m.s.).
	SETTINGS	Press POWER ON
	REQUIREMENTS	Consumes : 55 W
	MEASURING RESULTS

13.4.2 VERTICAL DEFLECTION OR Y-AXIS

*	SUBJECT	Vertical Deflection coefficients and input coupling of Channels A and B
	TEST EQUIPMENT	Square-wave calibration generator (PG506)
	INPUT VOLTAGE	Square-wave signal 1 kHz to input A(B), amplitude 10 mVpp...20 Vpp in 1-2-5 steps
	SETTINGS AND REQUIREMENTS	<ul style="list-style-type: none"> - Apply a 1 kHz square wave signal of 10 mV to input A(B) - Set A (B) to 2 mV/div. - Check if the amplitude of the signal is 5 div. (+or- 3%) - Increase the input amplitude and vertical sensitivity with the following steps:

Input voltage (pp)	A (B) setting	Requirements	Measuring results
10 mV	2 mV	5 div.(+or-3%)
20 mV	5 mV	4 div.(+or-3%)
50 mV	10 mV	5 div.(+or-3%)
0,1 V	20 mV	5 div.(+or-3%)
0,2 V	50 mV	4 div.(+or-3%)
0,5 V	100 mV	5 div.(+or-3%)
1 V	200 mV	5 div.(+or-3%)
2 V	500 mV	4 div.(+or-3%)
5 V	1 V	5 div.(+or-3%)
10 V	2 V	5 div.(+or-3%)
20 V	5 V	4 div.(+or-3%)
50 V	10 V	5 div.(+or-3%)

- * SUBJECT Variable gain control range (continued procedure of previous subject)

SETTING - Turn VAR control A(B) fully anti-clockwise

REQUIREMENTS - Check if displayed amplitude <2 div (1:>2,5).

MEASURING RESULTS
- * SUBJECT Input coupling (continued procedure of previous subject)

SETTINGS AND REQUIREMENTS - Turn VAR control A(B) fully clockwise into CAL.
 - Press GND; check if input signal is interrupted.
 - Press GND again and then AC/DC
 - Check if in DC position the signal shifts upwards compared wth the AC position

MEASURING RESULTS
- * SUBJECT Frequency response (DIGITAL MEMORY off)

TEST EQUIPMENT Constant amplitude sine-wave generator (SG503)

INPUT VOLTAGE Constant amplitude sine-wave signal, 120 mV frequency 50 kHz...50 MHz to input A (B).

SETTINGS AND REQUIREMENTS - Set A (B) to 20 mV/div.
 - Apply 50 kHz sine-wave signal to A (B)
 - Adjust trace height to exactly 6 div.
 - Increase the frequency of the input signal up to 50 MHz.
 - Check if the vertical deflection is > 4,2 div. across the complete bandwidth range (> 50MHz)
 - Reduce the amplitude of the input signal to 12 mV and the frequency to 50 kHz.
 - Set A (B) to 2 mV.
 - Adjust the trace height to exactly 6 div.
 - Increase the frequency up to 35 MHz.
 - Check if the vertical deflection is > 4,2 div. across the complete bandwidth range (> 35MHz)

MEASURING RESULTS
- * SUBJECT Frequency response (DIGITAL MEMORY on)

TEST EQUIPMENT Constant amplitude sine-wave generator (SG503)

INPUT VOLTAGE Constant amplitude sine-wave signal, 120 mV frequency 50 kHz...10 MHz to input A (B).

SETTINGS AND REQUIREMENTS - Set A (B) to 20 mV/div.
 - Apply 50 kHz sine-wave signal to A (B)
 - Press DIGITAL MEMORY in order to switch this function on: the text DIGITAL MEMORY becomes visible in the LCD
 - Adjust trace height to exactly 6 div.

- Increase the frequency of the input signal up to 10 MHz.
- Check if the vertical deflection is $\geq 4,2$ div. across the complete bandwidth range ($> 10\text{MHz}$)
- Reduce the amplitude of the input signal to 12 mV and the frequency to 50 kHz.
- Set A (B) to 2 mV.
- Adjust the trace height to exactly 6 div.
- Increase the frequency up to 10 MHz.
- Check if the vertical deflection is $\geq 4,2$ div. across the complete bandwidth range

MEASURING RESULTS

*

SUBJECT Rise-Time (DIGITAL MEMORY off mode)

IMPORTANT THE RISE TIME IS A CALCULATED VALUE, ACCORDING FORMULA: BANDWIDTH X RISE-TIME = 0,35

TEST EQUIPMENT Fast-rise square-wave generator (PG506)

INPUT VOLTAGE Fast-rise square-wave signal ≤ 1 ns to input A (B) frequency: 1MHz.

SETTINGS

- Set A(B) to 100 mV/div.
- Press DIGITAL MEMORY in order to switch this function off. The text DIGITAL MEMORY disappears from the LCD
- Press X MAGN
- Set TB to 5 ns/div
- Adjust the trace height exactly between the dotted lines 0% and 100% (5 div.)

REQUIREMENTS Important: $T_R(\text{measured}) =$

$$\sqrt{T_R(\text{input signal})^2 + T_R(\text{oscilloscope})^2}$$

- Check the rise-time, measured between the 10% and 90% lines (4 div.);
- * measured rise-time must be: 7,1 ns or less (1,4 subdiv. or less).

MEASURING RESULTS

*

SUBJECT Noise

TEST EQUIPMENT -

INPUT VOLTAGE -

SETTINGS

- Press A/B so that channel A and B are both on
- Set channel A and B to 20 mV/div
- Press ALT/CHOP for CHOP mode
- Press AC/DC of both channels for DC input coupling
- Press GND of both channels for grounded inputs

REQUIREMENT

- Check if the amplitude of the noise on the traces is not more than 0,5 subdiv.

MEASURING RESULTS

- * SUBJECT Vertical Dynamic range
- TEST EQUIPMENT Constant amplitude sine-wave generator
- INPUT VOLTAGE Sine-wave signal of 1 MHz, 2,4 Vpp to input A(B)
- SETTINGS
- Apply sine-wave signal of 1 MHz, 2,4 Vpp to input A(B).
 - Set A (B) to 100 mV/div.
 - Shift with the Y POS control the sine-wave of channel A(B) vertically over the screen.
- REQUIREMENT
- Check if the top and bottom of the sine-wave signal can be displayed distortion-free (24 div. trace height).
- INPUT VOLTAGE Sine-wave signal of 50 MHz, 1,6 Vpp to input A(B)
- SETTINGS
- Set A (B) to 200 mV/div.
 - Set the trace height to exactly 8 div.
 - Increase the frequency of the input signal up to 50 MHz
- REQUIREMENT
- Check if a sine-wave signal of 8 div. is displayed distortion-free.
- MEASURING RESULTS
- * SUBJECT Position range (vertical)
- TEST EQUIPMENT LF Sine-wave generator
- INPUT VOLTAGE Sine-wave signal of 1 kHz, 8 V to input A(B)
- SETTINGS
- Adjust the channel A (B) input sensitivity to 1 V/div.
 - Apply a sine-wave of 1 kHz/8 div. to the channel A (B) input.
 - Adjust the channel A (B) input sensitivity to 500 mV/div.
 - Rotate the channel A (B) Y POS control fully clockwise and anti-clockwise
- REQUIREMENT
- Check if the top and the bottom of the signal can be positioned on the vertical centre line of the screen.
- MEASURING RESULTS
- * SUBJECT Cross talk between channels A and B at 10 MHz
- TEST EQUIPMENT Sine-wave calibration generator (SG503)
- INPUT VOLTAGE Sine-wave signal 10 MHz, 4 V to input A(B)
- SETTINGS
- Apply sine-wave input signal to input A(B)
 - Press AUTO SET
 - Set channel A(B) to 0,5 V/div
 - Set the generator to a trace height to 8 div.
 - Press A/B (channel with input signal off).
- REQUIREMENTS
- Check if trace height of channel without input signal B(A) is < 0,08 div (1:>100).
- MEASURING RESULTS

- * SUBJECT Cross talk between channels A and B at
 50 MHz

TEST EQUIPMENT HF sine-wave generator (SG503)

INPUT VOLTAGE 50 MHz sine-wave signal, 4 V to input A(B)

SETTINGS - Do the same settings as indicated above

REQUIREMENTS - Check if trace height of channel without input
 signal B(A) is <0,16 div (1:>50).

MEASURING RESULTS
- * SUBJECT Common Mode Rejection Ratio

TEST EQUIPMENT HF constant Amplitude sine-wave generator (SG503)

INPUT VOLTAGE Sine wave signal 1 MHz, 4 Vpp to inputs A and B

SETTINGS - Set A and B to 500 mV/div. (8 div.)
 - Set input coupling of channels A and B to DC
 - Press ADD/INVERT three times (ADD and INVERT on)
 - Press A/B twice so that both channels are dis-
 played in ADD mode.

REQUIREMENT - Check if the trace height of the A-B signal is
 <0,08 div. Adjust the A and B VAR control(s)
 to minimise the displayed amplitude.

MEASURING RESULTS
- * SUBJECT Visual Signal Delay

TEST EQUIPMENT Square wave calibration generator (PG506)

INPUT VOLTAGE Fast-rise input signal 1 MHz, <1 ns, 0,5 V to
 input A

SETTINGS - Apply fast-rise input signal to input A
 - Press AUTO SET
 - Put the A(B) VAR controls in the CAL position.
 - Set A to 100 mV/div.
 - Set MAIN TB to 50 ns/div.
 - Press X MAGN and turn X POS
 - Set INTENSITY fully clock-wise and TRIG LEVEL
 fully anti-clockwise.

REQUIREMENT - Check if visual signal delay is >15 ns

MEASURING RESULTS

SETTINGS - Put TRIG LEVEL and X POS back in mid position

* SUBJECT Base line jump

TEST EQUIPMENT -

INPUT VOLTAGE -

SETTINGS Attenuator balance

- This check must be done in the service menu OFFS-A.
- To enter this menu proceed as follows:
- Press RESET and keep it pressed and then press AUTO SET.
- Select OFFS-A of CRT function controls.
- Check LCD display: "3.0" flashing.
- The attenuator is now switched between the 1-2-5 positions.
- Check if the display does not jump more than 1 subdiv.

VAR balance

- Press mV of channel A UP-DOWN input sensitivity control.
- Check LCD display: "3.1" flashing.
- Rotate VAR control of channel A and B
- Check if display does not jump more than 1 subdiv.

X1/X10 attenuator offset

- Press mV of ch. A UP-DOWN control.
- Check LCD display: "3.2" flashing.
- Check if the display does not jump more than 1,5 subdiv.

NORMAL-INVERT jump

- Press mV of ch. A UP-DOWN control four times.
- Check LCD display: "3.6" flashing.
- Check that the display does not jump more than 1 subdiv.
- Press AUTO SET two times to leave the SERVICE MENU

MEASURING RESULTS

13.4.3

HORIZONTAL DEFLECTION OR X-AXIS

* SUBJECT OFFSET of trigger point

TEST EQUIPMENT -

INPUT VOLTAGE -

SETTINGS AND REQUIREMENT

- This check must be done in the SERVICE MENU OFFS-A. To enter this menu proceed as follows:
- Press RESET and keep it pressed and then press AUTO SET.
- Select OFFS-A of CRT function controls.
- Press mV of ch. A UP-DOWN control three times.
- Check LCD display: "3.3" flashing.
- Turn Y POS of channel B and set the point in vertical centre of the screen.
- Check if the displayed point does not jump more than 1,5 subdiv horizontally
- Press mV of ch. A UP-DOWN control.
- Check LCD display: "3.4" flashing.
- Turn Y POS of A and set point in the vertical centre
- Check if the displayed point does not jump more than 1,5 subdiv. horizontally
- Press mV of ch. A UP-DOWN control.
- Check LCD display: "3.5" flashing.
- Turn Y POS of B and set point in vertical centre
- Check if the displayed point does not jump more than 1,5 subdiv.
- Press AUTO SET two times to leave the SERVICE MENU

MEASURING RESULTS

* SUBJECT X Deflection

TEST EQUIPMENT LF sine-wave generator

INPUT VOLTAGE Sine wave signal 2 kHz, 3 div. trace height to input A

SETTINGS AND REQUIREMENTS

- Press AUTO SET
- Set the trace height to 3 div.
- Press X DEFL
- Check if only X DEFL is on
- Select A of trigger source
- Check if a line under an angle of 45° is displayed.

MEASURING RESULTS

* SUBJECT Time coefficients

TEST EQUIPMENT Time marker generator (TG501)

INPUT VOLTAGE Time marker signal 50 ns...0,5 s

SETTINGS

- Apply a time marker signal of 50 ns to input A
- Press AUTO SET

REQUIREMENT

- Check the deflection coefficients in TB X1 and TB X10 according the table below:

Note: in X MAGN x10 is the requirement valid for the +4 ... -4 div from the screen centre and excluding the first and last 50 ns.

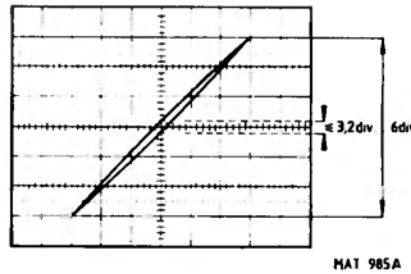
Time marker pulse	TB setting	Max. coeff. error		Measuring results
		TB X1	TB X10 X MAGN on	
50 ns	50 ns	3%	4%
0,1 us	0,1 us	3%	4%
0,2 us	0,2 us	3%	4%
0,5 us	0,5 us	3%	4%
1 us	1 us	3%	4%
2 us	2 us	3%	4%
5 us	5 us	3%	4%
10 us	10 us	3%	4%
20 us	20 us	3%	4%
50 us	50 us	3%	4%
0,1 ms	0,1 ms	3%	4%
0,2 ms	0,2 ms	3%	4%
0,5 ms	0,5 ms	3%	4%
1 ms	1 ms	3%	4%
2 ms	2 ms	3%	4%
5 ms	5 ms	3%	4%
10 ms	10 ms	3%	4%
20 ms	20 ms	3%	4%
50 ms	50 ms	3%	4%
0,1 s	0,1 s	3%	4%
0,2 s	0,2 s	3%	4%
0,5 s	0,5 s	3%	4%

- * SUBJECT Variable control ratio (VAR TB) and X MAGN balance
- TEST EQUIPMENT Time marker generator (TG501)
- INPUT VOLTAGE Time marker signal 1 us to input A
- SETTINGS
 - Set TB to 0,2 us/div; marker on first and sixth graticule line
 - Set the TB VAR fully anti-clockwise
- REQUIREMENT
 - Check if the VAR control range overlaps the time base steps 0,2 us to 0,5 us; first marker on first graticule line and second marker on the third graticule line or closer to the first marker (2,5:1)
- SETTINGS
 - Set the TB VAR control fully clockwise
 - Press X MAGN (magnifier on)
 - Set the top of the second marker pulse exactly in the horizontal centre of the graticule
 - Press X MAGN (magnifier off)
- REQUIREMENT
 - Check if the top of the second marker pulse is not shifted more than 2,5 subdiv.
- MEASURING RESULTS

- * SUBJECT Horizontal Deflection coefficients
- TEST EQUIPMENT Square-wave calibration generator (PG 506)
- INPUT VOLTAGE Square-wave 500mV trace height to input A
- SETTINGS
- Press X DEFL
 - Press A/B twice for only ch. B display
 - Set A to 100 mV/div
 - Select A as X DEFL source with TRIG or X SOURCE
- REQUIREMENT
- Check if a horizontal line of 5 div. is displayed (+or- 0,25 div)
- INPUT VOLTAGE
- Square-wave 500 mV to input EXT
- SETTINGS AND REQUIREMENTS
- Select EXT DC with TRIG or X SOURCE
 - Press X DEFL
 - Select EXT DC as TRIG X SOURCE
 - Check if a horizontal line of 5 div. (+or- 0,25%) is displayed.
- MEASURING RESULTS
- * SUBJECT Frequency response (horizontal)
- TEST EQUIPMENT Constant amplitude sine-wave generator (PG506)
- INPUT VOLTAGE Constant amplitude sine-wave signal, 30 mV, 50 kHz...2 MHz to input A
- SETTINGS
- Apply a 50 kHz sine-wave signal to input A
 - Set channel A to 5 mV/div
 - Adjust the trace height to exactly 6 div.
 - Press X DEFL
 - Press A/B twice
 - Select A as horizontal deflection source with TRIG or X SOURCE
 - Adjust the input voltage for exactly 6 div. horizontal deflection
 - Increase the frequency of the input signal up to 2 MHz
- REQUIREMENTS
- Check if the trace width is > 4,2 div. across the complete bandwidth range.
- MEASURING RESULTS
- * SUBJECT Maximum phase shift between horizontal and vertical deflection.
- TEST EQUIPMENT LF sine-wave generator
- INPUT VOLTAGE Sine wave signal, 2 kHz...100 kHz, trace height 6 div to input A
- SETTINGS
- Press X DEFL
 - Select A for horizontal deflection with TRIG or X SOURCE
 - Set the trace height to exactly 6 div.
 - Increase the input frequency up to 100 kHz.

REQUIREMENT

- Check if the phase shift $< 3^\circ$ (see figure below)



MEASURING RESULTS

13.4.4

TRIGGERING

*	SUBJECT	Trigger Sources and trigger coupling
	TEST EQUIPMENT	Square-wave generator
	INPUT VOLTAGE	Square-wave signal 2 kHz, 800 mV trace height to input A
	SETTINGS AND REQUIREMENTS	<ul style="list-style-type: none"> - Set the generator to a trace height of 4 div. - Press TRIG COUPL and select DC - Adjust LEVEL for a triggered signal - Check if a square wave signal is displayed of 4 div. - Press TRIG COUPL and select p-p - Turn LEVEL and check if the signal is triggered over the complete level range. - Connect CAL signal to input B (e.g. via a 10:1 attenuator probe). - Press A/B once so that Ch. A and B are both on. - Set B to 200 mV. - Select B as trigger source by pressing TRIG or X SOURCE twice (A is not triggered) - Check if a square wave of 6 div. is displayed - Increase the freq. of the square-wave signal to input A up to 20 kHz (CAL signal to B) - Press TRIG or X SOURCE five times (A and B both selected as trigger source). - Check if two well triggered traces are displayed. - Remove input signals

MEASURING RESULTS

*	SUBJECT	Slope selection and Level control range.
	TEST EQUIPMENT	LF Sine-wave generator
	INPUT VOLTAGE	Sine-wave signal 2 kHz - 800 mV to input A(B)

SETTINGS AND
REQUIREMENTS

- Set A(B) to 0,1 mV/div (DC input coupling)
- Press TRIG COUPL for p-p triggering
- Turn LEVEL fully clockwise and fully anti-clockwise
- Check if the signal is well triggered over the complete LEVEL range
- Set the LEVEL control in its mid-position
- Start of signal display must be in the vertical centre
- Press TRIG COUPL once for DC mode
- Press trigger slope $\int \setminus$
- Check if the sine-wave signal is inverted and is triggered on the negative slope.
- Press SLOPE once again
- Set A(B) to 50 mV/div (16 div. trace height)
- Turn the LEVEL
- Check if the LEVEL range is $> +$ or $-$ 8 div. and if the signal is triggered on the positive slope.
- Use the A(B) Y POS to position the signal top and bottom in the CRT viewing area.
- Set A(B) to 0,1 V/div
- Check if NOT TRIG'D is visible in the LCD, if the LEVEL control is set in its extreme positions
- Remove input signal

MEASURING RESULTS

.....

*

SUBJECT

Trigger Sensitivity

TEST EQUIPMENT

Sine-wave generator (SG503)

INPUT VOLTAGE

Sine-wave signal 10 MHz - 50 MHz - 100 MHz to input A (B)

SETTINGS AND
REQUIREMENTS

- Press AC/DC (input coupling of A(B) to DC)
- Press TB TRIG MODE for TRIG mode
- Press TRIG COUPL for DC trigger coupling
- Apply a sine-wave signal of 10 MHz approx. 250 mVpp to input A(B)
- Set A(B) to 0,2 V/div.
- Rotate TRIG LEVEL for a stable triggered display
- Decrease amplitude of input signal
- Operate TRIG LEVEL for a triggered display
- Check if the signal is well-triggered at amplitudes \geq 0,5 div.
- Decrease the frequency of the input signal to 50 kHz
- Check if the signal stays well triggered at amplitudes \geq 0,5 div.
- Increase the frequency of the input signal up to 50 MHz.
- Decrease amplitude of input signal to approx 1 div.
- Turn LEVEL
- Check if the signal is well-triggered at amplitudes \geq 1 div.
- Increase the frequency of the input signal up to 100 MHz

- Decrease amplitude to approx 3 div.
- Check if the signal is well-triggered at amplitudes ≥ 3 div.
- Remove input signal

MEASURING RESULTS

* SUBJECT Trigger sensitivity TVL-TVF
 TEST EQUIPMENT TV pattern generator with video output (PM5518)
 INPUT VOLTAGE Video signal to input A (B)
 SETTINGS
 - Press TB TRIG mode for TRIG mode
 - Press AC/DC for DC input coupling
 - Apply a video signal to input A(B) with an amplitude of 0,7 div. sync. pulse amplitude
 - Press TRIG COUPL for TVL and TVF
 REQUIREMENTS
 - Check for a stable triggering on TVL and TVF at sync. amplitudes of $>0,7$ div.
 MEASURING RESULTS

13.4.5 CURSORS

* SUBJECT Voltage cursor accuracy
 TEST EQUIPMENT SQ. wave calibration generator PG 506
 SETTINGS
 - Apply a sq. wave voltage of 1 Vpp to the ch. A input.
 - Set A to 200 mV/div.
 - Select DC input coupling for channel A(B)
 - Press DIGITAL MEMORY and then LOCK
 - Select CURSORS of the softkeys under the CRT
 - Select via softkey MODE: V-CURS ON, T-CURS OFF and V on (RATIO off).
 - Press RETURN.
 - Select V-CRTL and position the REFERENCE cursor exactly on the bottom of the cursor.
 - Position the "delta" cursor exactly on the top of the signal.
 - Press LOCK again so that the text LOCK disappears from the LCD.
 - Press RETURN once.
 REQUIREMENT Check for a voltage cursor read-out at the top of the screen of 1.00 V + or - 30 mV.
 MEASURING RESULTS

* SUBJECT Time cursor accuracy
 TEST EQUIPMENT Time marker generator TG 501
 SETTINGS
 - Apply an 1 ms time marker signal to the ch. A input.
 - Set TB to 1 ms/DIV.
 - Press LOCK.

- Select via softkey MODE: V-CURS OFF, T-CURS ON and T on (RATIO and PHase off).
- Press RETURN.
- Select T-CTRL and position the REFERENCE cursor exactly on the second time marker pulse.
- Position the "delta" cursor exactly on the 10th time marker pulse.

REQUIREMENT	Check for a time cursor read-out of 8.00 ms, + or - 0,0008 ms.
MEASURING RESULTS
SETTINGS	- Press DIGITAL MEMORY so that this function becomes inactive.

13.4.6 AUXILIARY INPUTS AND OUTPUTS

*	SUBJECT	Z-MOD Sensitivity
	TEST EQUIPMENT	Square-wave generator
	INPUT VOLTAGE	Square-wave signal, 1 kHz, duty cycle 50%, amplitude 0..2,5Vpp to input A and Z-in (rear side)
	SETTINGS AND REQUIREMENTS	<ul style="list-style-type: none"> - Set TB to 0,5 ms/div. - Select DC for channel A input coupling - Set the trace of channel A in mid position - Apply square-wave signal of 2,5 Vpp, 1 kHz to input A and Z-MOD input (base line 0 V). - Check if only the bottom half of the square wave signal is displayed (500 us blanking and 500 us unblanking) - Decrease the amplitude of the input signal to 1 Vpp. - Set A to 0,5 V/div. - Check if the top half of the square-wave signal is visible with a lower intensity and will be completely unblanked at an input voltage of < 0,8 V
	MEASURING RESULTS
*	SUBJECT	CAL Frequency and output voltage
	TEST EQUIPMENT	-
	INPUT VOLTAGE	CAL output signal to input A (e.g. via a 10:1 attenuator probe.
	SETTINGS	<ul style="list-style-type: none"> - Press GND of channel A - Set the trace in the centre of the screen - Press GND of channel A - Select DC of A input coupling
	REQUIREMENTS	- Check if a positive going square wave signal is displayed of 1,2 Vpp, frequency 2 kHz and with a bottom level of 0 volt.
	MEASURING RESULTS

14. DISMANTLING THE INSTRUMENT

14.1 GENERAL INFORMATION

This section provides the dismantling procedures required for the removal of components during repair operations.

All circuit boards removed from the instrument must be adequately protected against damage, and all normal precautions regarding the use of tools must be observed.

During the dismantling a careful note must be made of all disconnected leads so that they can be reconnected to their correct terminals during assembly.

CAUTION: Damage may result if:

- The instrument is switched-on when a circuit board has been removed.
- a circuit board is removed within one minute after switching-off the instrument.

14.2 REMOVING THE TOP AND BOTTOM COVERS

The instrument is protected by two covers: a top cover and a bottom cover. To remove these covers, proceed as follows:

- Slacken the two screws that secure both covers, located at the rear of the instrument.
- Gently push each cover backwards until it can be lifted.
- The covers can be removed by lifting them clear of the instrument.

14.3 ACCESS TO PARTS FOR THE CHECKING AND ADJUSTING PROCEDURES

After removing both covers (section 14.2), the digital unit and the time base unit have to be positioned vertically on the chassis. How to position these units is indicated in figure 14.1.

If necessary, the power supply unit can be lifted out of the instrument. To do so, proceed as follows:

- Push both parts at the back of the extension shaft towards each other so that the extension shaft can easily be loosened from the ON/OFF switch on the power supply unit.
- Remove the complete extension shaft.
- Push both lips that secure the power supply unit sideways and gently lift this unit out of the instrument.
- Fix the power supply unit in the available p.c.b. guide fixing.

14-2



MAT3672

Figure 14.1 Access to all parts for adjusting the oscilloscope

NOTE: For checking and adjusting the instrument it is not necessary to remove the bottom cover.

15. ADJUSTING PROCEDURE

15.1 GENERAL INFORMATION

The following information provides the complete checking and adjusting procedure for the instrument. As various control functions are interdependent, a certain order of adjustment is necessary. The procedure is, therefore, presented in a sequence which is best suited to this order, cross-reference being made to any circuit which may affect a particular adjustment. Before any check or adjustment, the instrument must attain its normal operating temperature.

- Warming-up time under average conditions is 30 minutes.
- Where possible, instrument performance should be checked before any adjustment is made.
- All limits and tolerances given in this section are calibration guides, and should not be interpreted as instrument specifications unless they are also published in section 2.
- Tolerances given are for the instrument under test and do not include test equipment error.
- The most accurate display adjustments are made with a stable, well-focused low intensity display.
- All controls that are mentioned without item numbers are located on the outside of the instrument.

WARNING: The opening of covers or removal of parts, except those to which access can be gained by hand, is likely to expose live parts, and also accessible terminals may be live. The instrument shall be disconnected from all voltage sources before any adjustment, replacement or maintenance and repair during which the instrument will be opened. If afterwards any adjustment, maintenance or repair of the opened instrument under voltage is inevitable, it shall be carried out only by qualified person who is aware of the hazard involved. Bear in mind that capacitors inside the instrument may still be charged even if the instrument has been separated from all voltage sources.

15.2 RECOMMENDED TEST AND CALIBRATION EQUIPMENT

Type of instrument	Required specification	Example of recommended instrument
Function generator	Freq.: 1 MHz ... 10 MHz Sine-wave/Square-wave Ampl. 0...20 Vpp DC offset 0...+5 V Rise-time <30 ns Duty cycle 50 %	Philips PM5134
Constant amplitude sine-wave generator	Freq.: 100 kHz ... 50 MHz Constant ampl. of 120 mVpp and 3 Vpp	Tektronix SG 503
Square-wave calibration generator	For ampl. calibration: Freq.: 1 kHz Ampl.: 10 mV ... 50 V For rise-time measurements: Freq.: 1 MHz Ampl.: 10 mV ... 500 mV Rise-time: <1 ns	Tektronix PG 506
Time-marker generator	Repetition rate: 0,5 s ... 0,05 μ s	Tektronix TG 501
Digital multimeter	Wide voltage, current	Philips PM2524 with AC, DC and resistance ranges. High-voltage probe. Required: 0,1% accuracy, PM9246
Oscilloscope	The bandwidth must be the same or higher than the bandwidth of the instrument under test.	Philips PM3055
Variable mains transformer	Well-insulated output voltage 90...264 Vac	Philips ord.number 2422 529 00005
Moving-iron meter		
Dummy probe 2:1	1 Megohm \pm 0,1 %/20 pF	
Cables, T-piece, 10:1 attenuator, terminations for the generators	Good quality BNC types for fast rise-time square-wave and high freq. sine-wave.	
Trimming tools		Philips 80ONTX (ord. kitnumber 4822 310 50015)

15.3 SURVEY OF ADJUSTING ELEMENTS

Adjustment	Adjusting element(s)	Unit	Signal type, Generator, menu	Requirement
<u>POWER SUPPLY</u> (see section 15.4.2)				
+10 V supply	R6406 X6001	power supply	digital voltm.	10 V (+, - 10 mV)
<u>CRT DISPLAY</u> (see section 15.4.3)				
pre adjustment	R4616	time base	-	mid position
black level	R3252	CRT socket	-	INTENS 10 ⁰ from c.c.w spot just invisible. line parr.
TRACE ROTATION	front	-		graticule
Astimatism	R3267	CRT socket	function generator 1 kHz/6 div. sine wave DIGITAL MEMORY on.	well defined trace + text
<u>DISPLAY SECTION ADJUSTMENT OF DIGITAL MEMORY</u> (see section 15.4.4)				
X-offset	R9134	dig. unit	service menu DIPLAY	correct X-pos.
Y-offset	R9123	dig. unit	service menu DISPLAY	correct Y-pos.
X-gain	R9053	dig. unit	service menu DISPLAY	10 div. X-defl.
Y-gain	R9116	dig. unit	service menu DISPLAY	6 div. Y-defl.
X-offset text	R4260	time base	service menu DISPAY	correct X-pos. of text

Adjustment	Adjusting element(s)	Unit	Signal type, Generator, menu	Requirement
<u>GAIN, LF S.Q. WAVE</u> (see sections 15.4.5 and 15.4.6)				
EXT input	C1206	atten. unit	calibrated sq. wave: 0,5 V/ 1 kHz	dots at beginning + end of line same intensity
	R3118	XYZ ampl.	calibrated sq. wave: 0,5 V/ 1 kHz	5 div. horizontal
A input	R1069	atten. unit	calibrated sq. wave: 0,1 mV/ 1 kHz	5 div. vertical at A sens. 20 mV/div.
	C1033	atten. unit	calibrated sq. wave: 0,1 V/ 1 kHz	Straight pulse top at A sens. 20 mV/div.
	R3038	XYZ ampl.	calibrated sq. wave: 0,1 mV/ 1 kHz	5 div. vertical at A sens. 20 mV/div.
	R1076	atten. unit	calibrated sq. wave: 10 mV/ 1 kHz	5 div. vertical at A sens. 2 mV/div.
	C1029	atten. unit	calibrated sq. wave: 1 V/ 1 kHz	Straight pulse top at A sens. 0,2 V/div.
	C1023	atten. unit	calibrated sq. wave: 10 V/ 1 kHz	Straight pulse top at A sens. 2 V/div.
	B input	C1133	atten. unit	calibrated sq. wave: 0,1 V/ 1 kHz
R1169		atten. unit	calibrated sq. wave: 0,1 V/ 1 kHz	5 div. vertical at B sens. 20 mV/div.
R1176		atten. unit	calibrated sq. wave: 10 mV/ 1 kHz	5 div. vertical at B sens. 2 mV/div.

Adjustment	Adjusting element(s)	Unit	Signal type, Generator, menu	Requirement
	C1129	atten. unit	calibrated sq. wave: 1 V/ 1 kHz	Straight pulse top at A sens. 0,2 V/div.
	C1123	atten. unit	calibrated sq. wave: 10 V/ 1 kHz	Straight pulse top at A sens. 2 V/div.

OFFSET (see section 15.4.7)

1-2-5 bal. A	R1036	atten. unit	serv.menu: 3.0	minimise jump
1-2-5 bal. B	R1136	atten. unit	serv.menu: 3.0	minimise jump
VAR balance A	R1064	atten. unit	serv.menu: 3.1	Turn VAR jump
VAR balance B	R1164	atten. unit	serv.menu: 3.1	Turn VAR jump
1-10 balance A	R1072	atten. unit	serv.menu: 3.2	VAR CAL jump
1-10 balance B	R1172	atten. unit	serv.menu: 3.2	VAR CAL jump
Trig.bal. A	R1091	atten. unit	serv.menu: 3.3	VAR CAL jump
Trig.bal. B	R1191	atten. unit	serv.menu: 3.4	VAR CAL jump
Trig.bal. EXT	R1217	atten. unit	serv.menu: 3.5	VAR CAL jump
Norm.Inv. bal.	R2212	preamplifier	serv.menu: 3.6	VAR CAL jump
Final Y ampl.	R3007	XYZ-ampl.	serv.menu: 3.7	Minimise jump with LEVEL. Centre line with R3007

X-DEFLECTION AND TRIGGERING (see section 15.4.8)

X-defl. offset	R2330	preamplifier	--	spot in horizontal mid of screen
Trigger sensitivity	(R2395)	preamplifier	--	adjustment in "mid" position
	R4004	time base	sine-wave 0,4V/1kHz	triggered signal at + and - slope

Adjustment	Adjusting element(s)	Unit	Signal type, Generator, menu	Requirement
LEVEL preset	R2410	preamplifier	--	LEVEL pos. such that does not move when turning R2410
LEVEL VIEW balance	R2407	preamplifier	sine-wave to A 8 V/1 kHz	min. jump between LEVEL VIEW on/off
LEVEL VIEW sensitivity	R2410	preamplifier	sine-wave to A 8 V/1 kHz	LEVEL 3 div. up or down. Min. jump between LEVEL VIEW on/off

TIME BASE (see section 15.4.9)

sweep speed:			time markers:	
1 ms/div.	R4108	time base	1 ms	max. accuracy between 2nd and 10th graticule line
1 us/div.	R4107	time base	1 us	max. accuracy between 2nd and 10th graticule line
X MAGN and 0,1 ms/div.	R4721	time base	0,1 us	max. accuracy between 2nd and 10th graticule line

HF SQ. WAVE (see section 15.4.10)

			fast-rise sq. wave:	
Pulse response channel B	R3017	XYZ-ampl.	100 mV/ 1 MHz	Optimal pulse response
	R3013 C3007	XYZ-ampl.	100 mV/ 1 MHz	Optimal pulse response
	R3036 C3004	XYZ-ampl.	100 mV/ 1 MHz	Optimal pulse response
	C3016	XYZ-ampl.	100 mV/ 1 MHz	Optimal pulse response
	C3005	XYZ-ampl.	100 mV/ 1 MHz	Optimal pulse response

Adjustment	Adjusting element(s)	Unit	Signal type, Generator, menu	Requirement
Pulse response channel A	C1039	attenuator unit	100 mV/ 1 MHz	Make channel A equal to B
A-offset	R9078	dig. unit	--	minimal line jump between memory on/off
A-gain	R9064	dig. unit	calibrated sq. wave 100mV 1kHz	5 div. Y-defl. via channel 20 mV/div.
B-offset	R9178	dig. unit	--	minimal line jump between memory on/off
B-gain	R9164	dig. unit	calibrated sq. wave 100mV 1kHz	5 div. Y-defl. via channel 20 mV/div.

15.4 ADJUSTING PROCEDURE

The adjusting elements and measuring points are given in figure 22.1.

NOTE: Use always an insulated adjustment tool.

15.4.1 Preparation

Before starting the checking and adjusting procedure, it is necessary to be aware of the following.

- Unless otherwise indicated, the time base must be triggered on the channel that is selected for vertical display and the trigger path is P-P coupled. The time base must function in the AUTO mode and its sweep speed must be adjusted to give good display of the phenomena of interest. The INTENS and FOCUS control must be adjusted to a well-defined trace display.
- Preliminary setting of the controls:
All VAR controls must be set in CAL position
All POS and LEVEL controls must be set in mid-position.
The HOLD OFF control must be set to MIN position.
- The adjustments are done in the memory off mode (text DIGITAL MEMORY not visible in LCD), unless it is otherwise indicated.
- It is advised to take good notice of the LCD where all currently active functions are indicated. This because of the fact that many front panel keys make sequential access possible to various modes.
- Take care to remove the input voltage after each section.
- All signal values are peak-to-peak values (pk-pk), unless otherwise indicated.

For better access to the adjusting elements on the time base unit and the power supply unit, proceed as indicated in section 14.3.

ATTENTION: Do not readjust potentiometer R2395, situated on the Pre-amplifier unit. However, if this potentiometer is inadvertently turned, proceed as indicated in section 15.4.8. under "trigger sensitivity".

15.4.2 Power supply adjustment

- Connect the instrument to the mains voltage and switch the oscilloscope on.
- Connect a digital multimeter to connection point X6001 (+10V REF) on the power supply unit and the instrument's mass.
- Adjust R6406 so that the supply voltage is exactly +10 V (tolerance: +or- 0,01 V).

15.4.3 CRT display adjustment

Black level:

- Press AUTO SET.
- Press X DEFL key.
- Set the INTENS control to 10^0 from its left hand stop.
- Set R4616 on the time base in its mid position.
- Adjust R3252 on the CRT socket so that the spot is just invisible.

Trace rotation:

- Press X DEFL key again for deflection via MTB.
- Adjust the front-panel TRACE ROTATION control so that the trace runs exactly in parallel with the horizontal graticule lines.

Astigmatism:

- Press RESET and keep it pressed while pressing AUTO SET: this gives access to the service menu.
- Press CRT softkey APPL.
- Press CRT softkey STANDARD SETTING: this brings the scope back to normal mode with predefined settings.
- Apply a 6 V/1 kHz sine-wave signal to input A.
- Set the INTENS control for normal brightness.
- Adjust R3267 on the CRT socket (and the FOCUS control) so that the trace is sharp and well-defined over the whole screen area.
- Press the DIGITAL MEMORY key (the instrument comes into the DIGITAL MEMORY mode) and the CURSORS softkey and check also if the text in the top and bottom of the screen is sharp and well-defined. Readjust R3267 on the CRT socket if necessary.

15.4.4 Display section adjustment of digital memory.

- Press the DIGITAL MEMORY key if the text DIGITAL MEMORY is present in the LCD (this switches the DIGITAL MEMORY off).
- Adjust control X POS so that the start of the trace begins exactly at the beginning of the graticule (in horizontal sense).
- Press the RESET key and keep it pressed while pressing the AUTO SET key: this gives access to the service menu.
- Press the CRT softkey DISPLAY: the test waveform that is indicated in the figure below appears on the screen.
- Adjust the X-offset with R9134 on the digital unit so that the waveform as indicated in the figure is obtained as much as possible.
- Adjust the Y-offset with R9123 on the digital unit so that the waveform as indicated in the figure is obtained as much as possible.
- Adjust the X-gain to 10 div with R9053 on the digital unit.
- Adjust the Y-gain to 6 div with R9116 on the digital unit.
- Adjust the X-offset of the text with R4260 on the time base so that the two squares are exactly in the horizontal mid of the screen.
- Press AUTO SET in order to leave the service menu.

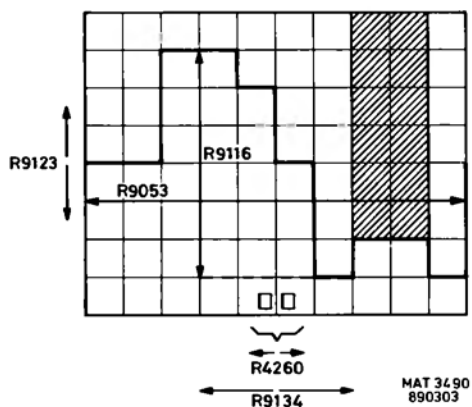


Figure 15.2 Display section adjustment

15.4.5 Gain and LF-sq.wave response EXT and A input

Adjustments located on attenuator unit, unless otherwise indicated.

Input EXT:

- Press RESET and keep it pressed while pressing AUTO SET: this gives access to the service menu.
- Press CRT softkey APPL.
- Press CRT softkey STANDARD SETTING: this brings the scope back to normal mode with predefined settings.
- Press X DEFL.
- Select TRIG SOURCE "EXT DC".
- EXT input signal: calibrated sq.wave 0,5 V/1 kHz.
- Adjust C1206 for dots with equal intensity at the beginning and end of the horizontal line.
- Adjust R3118 on XYZ-amplifier for 5 div. horizontal deflection (+ or -0,1 div.).

Input A:

- Press the X DEFL key (instrument goes back to normal time base mode)
- Select TRIG SOURCE "A".
- A input signal: calibrated sq.wave 100 mV/1 kHz.
- Channel A sensitivity: 20 mV/div.
- Adjust R1069 for 5 div. vertical deflection (+ or - 0,1 div.).
- Remove the input signal.

15.4.6 Gain and LF-sq.wave response channel A(B)

Adjustments are located on attenuator unit, except R3038 that is located on XYZ-amplifier.

- Do the adjustments for channel A first. Then those mentioned between brackets for channel B.
- Press RESET and keep it pressed while pressing AUTO SET: this gives access to the service menu.
- Press CRT softkey APPL.
- Press CRT softkey STANDARD SETTING: this brings the scope back to normal mode with predefined settings.
- Select TRIG SOURCE "A(B)".
- Adjust vertical gain to 5 div. (+ or - 0,1 div.) and pulse top as straight as possible (max. distortion + or - 0,075 div.).
Use a calibrated sq.wave signal.

Input signal channel A(B)	Input sensitivity channel A(B)	Adjusting element	
		sq.wave resp.	gain
0,1 V	20 mV/div.	C1033 (C1133)	R3038 (R1169)
10 mV	2 mV/div.	-	R1076 (R1176)
1 V	0,2 V/div.	C1029 (C1129)	-
10 V	2 V/div.	C1023 (C1123)	-

15.4.7 Offset channel A(B)

- Press RESET and keep it pressed while pressing AUTO SET: this gives access to the service menu.
- Press CRT-softkey OFFS-A.
- The successive steps in the following adjustment procedure must be selected with the channel A UP-DOWN control that is normally used to select the input sensitivity of channel A.
- The adjustments are located on the attenuator unit; unless otherwise noted in last column of table.

Adjustment step	Adjustment point	Max instab.
3.0 1-2-5 balance A(B)	R1036 (R1136)	0,1 div.
3.1 VAR-balance A(B)	R1064 (R1164)	0,2 div. Turn VAR A(B)
3.2 x1/x10 balance A(B)	R1072 (R1172)	0,2 div. VAR A(B) in CAL
3.3 Trig. balance A	R1091	0,3 div.
3.4 Trig. balance B	R1191	0,3 div.
3.5 Trig. balance EXT	R1217	0,3 div.
3.6 Norm/Inv. bal. B	R2212	0,1 div. on pre amplifier
3.7 Final Y bal.	R3007	0,2 div. on XYZ-ampl. Minimise jump with TRIG LEVEL. Centre line with R3007.

- Press AUTO SET to leave the service menu.

15.4.8 X-deflection and triggering.

Adjustments on preamplifier unless otherwise noted.

X-deflection offset:

- Press RESET and keep it pressed while pressing AUTO SET: this gives access to the service menu.
- Press CRT softkey APPL.
- Press CRT softkey STANDARD SETTING: this brings the scope back to normal mode with predefined settings.
- Operate the X POS control so that the start of the trace coincides exactly with the beginning of the graticule (in horizontal sense).
- Press the X DEFL key.
- Adjust R2330 so that the spot is exactly in the horizontal mid of the screen.

Trigger sensitivity:

Important: R2395 is a factory-adjustment and must not be turned. If it is turned by mistake, you have to proceed as follows:

- Connect a digital voltmeter between the "connector side" of R4001 and R4002 on the time base unit. Refer to the p.c.b. lay-out in chapter 7 for the position of these resistors.
- Adjust R2395 so that the read-out of the voltmeter is 0 volt exactly

Now the adjustment of R4004:

- Press the X DEFL key (instrument goes back to normal time base mode)
- Put R2395 in its mid position.
- Apply a sinewave of 0,4 V/1 kHz to the channel A input.
- Operate the trigger slope key / repeatedly. ****
- Adjust R4004 on the time base so that the signal is triggered in the two trigger slope positions.

Level view adjustment:

- Press RESET and keep it pressed while pressing AUTO SET: this gives access to the service menu.
- Press CRT softkey APPL.
- Press CRT softkey STANDARD SETTING: this brings the scope back to normal mode with predefined settings.
- Press the GND key of channel A.
- Put the channel A trace in the vertical mid of the screen with the Y POS control and keep the control in that position.
- Select DC TRIGger COUPLing.
- Press the X DEFL key twice so that the LEVEL VIEW mode is activated (this is also indicated in the LCD).
- Put the TRIGger LEVEL control in such a position that the trace does not move when turning R2410 between its extreme positions. Keep the LEVEL control in this position.

- Press the X DEFL key in order to return to normal time base mode.
- Press the GND key of channel A so that this channel is not grounded anymore.
- Adjust the generator to a sinewave voltage of 8 V/1 kHz.
- Select a sweep speed of 50 ns/div for the time base: this stretches the sinewave into a line.
- Turn the INTENSity control fully clockwise to make the trace visible
- Switch the X DEFL key repeatedly between LEVEL VIEW and normal mode and adjust R2407 to minimal trace shift.

- Press the X DEFL key in order to switch the LEVEL VIEW mode on.
- Turn the TRIGger LEVEL control so that the line is 3 div above the the vertical mid of the graticule.
- Switch the X DEFL key repeatedly between LEVEL VIEW and normal mode and adjust R2410 so that the vertical shift of the trace is not more than 0,4 div.

- Press the X DEFL key in order to switch the LEVEL VIEW mode on.
- Turn the TRIGger LEVEL control so that the line is 3 div under the the vertical mid of the graticule.
- Switch the X DEFL key repeatedly between LEVEL VIEW and normal mode and readjust R2410 slightly if the vertical shift of the trace is more than 0,4 div.

15.4.9 Time base sweep speeds

Adjustments on time base unit.

- Press RESET and keep it pressed while pressing AUTO SET: this gives access to the service menu.
- Press CRT softkey APPL.
- Press CRT softkey STANDARD SETTING: this brings the scope back to normal mode with predefined settings.
- Channel A input signal: time marker pulse 1 ms.
- Select an input sensitivity of 0,5 V/div for channel A.
- Adjust Y POS A, TRIG LEVEL and channel A input sensitivity for a well-readable display.
- Adjust R4108 so that 2nd and 10th marker pulse coincide with the corresponding graticule lines (max. deviation 0,16 div.). Use X POS for a correct horizontal position.

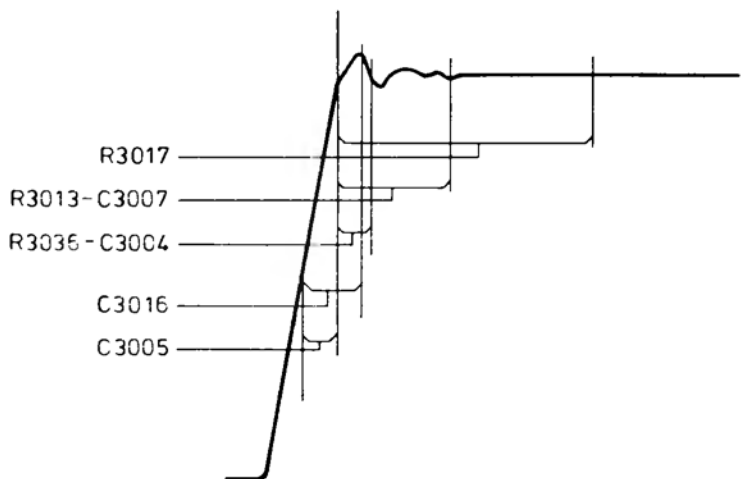
- Channel A input signal: time marker pulse 1 us.
- Time base sweep speed: 1 us/div.
- Adjust R4107 so that 2nd and 10th marker pulse coincide with corresponding graticule lines. Max. deviation 0,16 div.

- Channel A input signal: time marker pulse 0,1 ms.
- Press X MAGN.
- Time base sweep speed: 0,1 ms/div.
- Adjust R4721 so that 2nd and 10th marker pulse coincide with corresponding graticule lines. Use X POS for a correct horizontal position; the control must stay approximately in its mid position. Max. deviation 0,24 div.
- Turn X POS fully clockwise and fully counter clockwise and check that the marker pulse deviation does not exceed 0,24 div.
- Remove the input signal.

15.4.10 HF sq.wave response channel B and A.

Adjustments on XYZ-amplifier.

- Press RESET and keep it pressed while pressing AUTO SET: this gives access to the service menu.
- Press CRT softkey APPL.
- Press CRT softkey STANDARD SETTING: this brings the scope back to normal mode with predefined settings.
- Apply to channel B a square wave signal of 1MHz/>900mV with a fast rise time ≤ 1 ns via an 10:1 attenuator and terminated into 50 ohms
- Press A/B twice so that channel B is displayed.
- Select channel B as TRIGger SOURCE.
- Select an input sensitivity of 20 mV/div for channel B.
- Select a sweep speed of 0,1 us/div for the time base.
- Center the signal with the channel B Y POS control.
- Adjust R3013/C3007, R3036/C3004, C3005, C3016 and R3017 to a rising pulse edge with maximum steepness and a pulse top that is a flat as possible. Refer to the figure below. This figure also indicates the influence of the adjustments on certain parts of the rising edge and the top of the pulse. If necessary adapt the time base sweep speed and switch the X MAGN on to obtain a better view of the phenomena of interest.
- Check that the pulse via channel B has a rise-time of ≤ 7 ns and that pulse aberrations are $\leq 0,2$ div. peak-to-peak. Tilt must not exceed + or - 0,1 div.



MAT2233
860210

Figure 15.3 Square-wave response

- Press key A/B so that channel A is displayed.
- Move the generator signal from input B to input A.
- Select channel A as the TRIGGER SOURCE.
- Select an input sensitivity of 20 mV/div for channel A.
- Center the signal with the channel A Y POS control.
- Make the pulse response of channel A as much as possible equal to that of channel B with C1039 on the attenuator unit.
- Check that the pulse via channel A has a rise-time of < 7 ns and that pulse aberrations are $\leq 0,2$ div. peak-to-peak. Tilt must not exceed + or - 0,1 div.

15.4.11 Gain and offset in digital memory mode.

All adjustments are located on the digital unit.

Channel A:

- Press RESET and keep it pressed while pressing AUTO SET: this gives access to the service menu.
- Press CRT softkey APPL.
- Press CRT softkey STANDARD SETTING: this brings the scope back to normal mode with predefined settings.
- Select an input sensitivity of 20 mV/div for channel A.
- Press the GND key of channel A.
- Position the line exactly in the vertical mid of the screen.
- Operate the DIGITAL MEMORY key repeatedly and minimise the trace shift with R 9078.
- Press the GND key of channel A so that this channel is not grounded anymore.
- Apply a calibrated square wave signal of 100 mV/1 kHz to the A channel input.
- Adjust the amplitude of the signal to 5 div with R9064.

Channel B:

- Press RESET and keep it pressed while pressing AUTO SET: this gives access to the service menu.
- Press CRT softkey APPL.
- Press CRT softkey STANDARD SETTING: this brings the scope back to normal mode with predefined settings.
- Press the A/B key twice so that channel B is displayed.
- Select an input sensitivity of 20 mV/div for channel B.
- Press the GND key of channel B.
- Position the line exactly in the vertical mid of the screen.
- Operate the DIGITAL MEMORY key repeatedly and minimise the trace shift with R 9178.
- Press the GND key of channel B so that this channel is not grounded anymore.
- Select B as trigger source.
- Apply a calibrated square wave signal of 100 mV/1 kHz to the B channel input.
- Adjust the amplitude of the signal to 5 div with R9164.

16. CORRECTIVE MAINTENANCE

16.1 REPLACEMENTS

WARNING: The EHT cable is directly connected to the CRT. When the EHT cable to the post-acceleration anode is disconnected, the cable must be discharged by shorting the terminal to the instrument's earth.

16.1.1 Standard parts

Electrical and mechanical replacement parts can be obtained through your local Philips organisation or representative. However, many of the standard electronic components can be obtained from other local suppliers. Before purchasing or ordering replacement parts, check the parts list for value, tolerance, rating and description.

NOTE: Physical size and shape of a component may affect the instrument's performance, particularly at high frequencies. Always use direct-replacement components, unless it is known that a substitute will not degrade the instrument's performance.

16.1.2 Special parts

In addition to the standard electronic components, some special components are used:

- Components, manufactured or selected by Philips to meet specific performance requirements.
- Components which are important for the safety of the instrument.

ATTENTION: Both type of components may only be replaced by components obtained through your local Philips organisation or representative.

16.1.3 Transistors and Integrated Circuits

- Return transistors and IC's to their original positions, if removed during routine maintenance.
- Do not renew or switch semiconductor devices unnecessarily, as it may affect the calibration of the instrument.
- Any replacement component should be of the original type or a direct replacement. Bend the leads to fit the socket or pcb-holes and cut the leads to the same length as on the component being renewed.
- When a device has been renewed, check the operation of the part of the instrument that may be affected.
- When re-installing power-supply transistors, use silicon grease to increase the heat-transfer capabilities.

WARNING: Handle silicon grease with care. Avoid contact with the eyes. Wash hands thoroughly after use.

16.1.4 Static-sensitive components

This instrument contains electrical components that are susceptible to damage from static discharge. Servicing static-sensitive assemblies or components should be performed only at a static-free work station by qualified service personnel.

16.1.5 Handling MOS devices

Though all our MOS integrated circuits incorporate protection against electrostatic discharges, they can nevertheless be damaged by accidental over-voltages. In storing and handling them, the following precautions are recommended.

CAUTION: Testing or handling and mounting calls for special attention regarding personal safety. Personnel handling MOS devices should normally be connected to ground via a resistor.

16.1.5.1 Storage and transport

Store and transport the circuits in their original packing. Alternatively, use may be made of a conductive material or a special IC carrier that either short-circuits all leads or insulates them from external contact.

16.1.5.2 Testing or handling

Work on a conductive surface (e.g. metal table top) when testing the circuits or transferring them from one carrier to another. Electrically connect the person doing the testing or handling to the conductive surface, for example by a metal bracelet and a conductive cord to a chain. Connect all testing and handling equipment to the same surface. Signals should not be applied to the same surface. Signals should not be applied to the inputs while the device power supply is off. All unused input leads should be connected either to the supply voltage or to ground.

16.1.5.3 Mounting

Mount MOS integrated circuits on printed circuit boards after all other components have been mounted. Take care that the circuits themselves, metal parts of the board, mounting tools, and the person doing the mounting are kept at the same electrical (ground) potential. If it is impossible to ground the printed-circuit board, the person mounting the circuits should touch the board before bringing the MOS circuits into contact with it.

16.1.5.4 Soldering

Soldering iron tips, including those of low voltage irons, or soldering baths should also be kept at the same potential as the MOS circuits and the board.

16.1.5.5 Static charges

Dress personnel in clothing of non-electrostatic material (no wool, silk or synthetic fibres). After the MOS circuits have been mounted, the proper handling precautions should still be observed. Until the sub-assemblies are inserted into the complete system in which the proper voltages are supplied, the board is not more than an extension of the leads of the devices mounted on the board. To prevent static charges from being transmitted through the board wiring to the device it is recommended that conductive clips or conductive tape is put on the circuit board terminals

16.1.5.6 Transient voltages

To prevent permanent damage due to transfer voltages, do not insert or remove MOS devices, or printed-circuit boards with MOS devices, from test sockets or systems with power on.

16.1.5.7 Voltage surges

Beware of voltage surges due to switching electrical equipment ON or OFF, relays and d.c. lines.

16.2 REMOVING THE UNITS AND MECHANICAL PARTS

NOTE: For installation, work in reversed sequence.

16.2.1 Attenuator unit (A1)

- First put the digital unit A9 in upright position. Refer to figure 16.4 that indicates this position.
- Push gently both clamping lips that secure the metal locking plate for the attenuator unit and remove the locking plate.
- Push the attenuator unit backwards for about 1 cm.
- Remove the front unit (see section 16.2.7).
- Remove the control knobs of the CRT control unit.
- Pull gently both clamping lips that secure the front profile gently backwards and loosen the front profile.

ATTENTION: To avoid damage, ensure that the BNCs of the attenuator unit are behind the front profile before loosening the front profile.

Now the attenuator unit can easily be pulled out of the instrument after removing the connector with flat cable and the ground connector.

Dismantling the Attenuator unit:

- For access to the components of the unit, remove both upper and bottom covers.
- When removing the BNCs first unsolder the wire to the pcb and then unscrew the BNC-nut with a spanner of max. 5 mm thickness.

16.2.2 Pre-amplifier unit (A2) and Adaptation unit (A16)

- First put the digital unit A9 in upright position. Refer to figure 16.4 that indicates this position.
- Then remove the time-base unit (see section 16.2.4).
- Unlock the two p.c.b. supports
- The complete p.c.b. can be removed from the instrument after having removed all flat cables.

16.2.3 XYZ-amplifier unit (A3)

The XYZ amplifier unit incorporates two separate p.c.b.'s connected via a flat cable. One p.c.b. includes amongst other things the CRT socket and must be loosened first. For this, the CRT socket must be carefully removed from the CRT.

Now the part situated above the CRT can be removed as follows:

- Remove all flat cables and the delay line cable plug.
- Pull all clamping lips that secure the XYZ-amplifier unit p.c.b. outwards and take out the complete unit. Refer to figure 16.1.

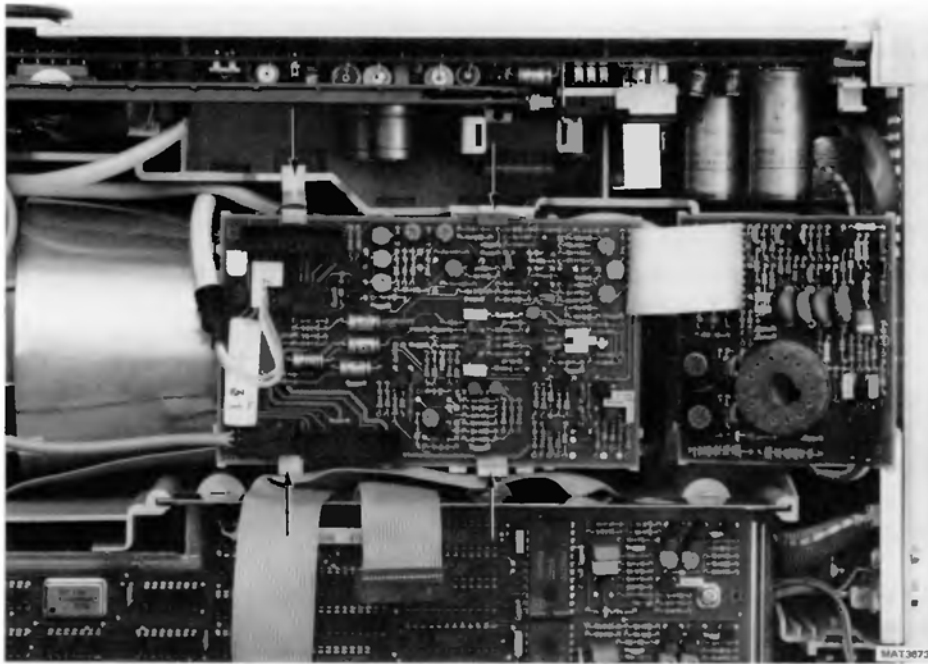


Figure 16.1 Clamping lips for XYZ-amplifier unit

16.2.4 Time-base unit (A4)

- Put the digital unit in upright position such as indicated in figure 16.4.
- Unlock the 3 plastic p.c.b. supports with a special tool that matches the diameter of the p.c.b. support (see section 16.6.2).
- The complete p.c.b. can be taken out of the instrument after having removed all flat cables. The time base can also be placed upright on the chassis: this is indicated in figure 16.4.

16.2.5 CRT control unit (A5)

- Remove the front unit (see section 16.2.7)
- Loosen the front profile (see section 16.2.1)
- Now the CRT control unit can be pulled out of the front profile after having removed the flat-cable and the CAL connector.

16.2.6 Power supply unit (A6)

WARNING: Inside the power supply pcb there are many parts that carry dangerous high voltages. Some of these voltages remain some time after disconnecting the instrument from the mains. Therefore, it is recommended to wait at least five minutes after having disconnected the instrument from the mains, before removing the p.c.b. If working on the power supply unit under live condition cannot be avoided, it must be done by a qualified technician who is aware of the dangers involved. Moreover the use of a mains separation transformer is strongly recommended.

- Remove the extension shaft from the ON/OFF switch by pushing both ends together.
- Push both clamping lips that secure the power supply unit.
- Lift the power supply unit outside the instrument.
- Place the p.c.b. in the unit slider.

- NOTES: - After the mentioned actions, the power supply unit can be measured under working conditions, provided that all cables are still connected to the unit.
- The flat cable to the CRT control unit can easily be removed now when having positioned the power supply unit like described.
- Remove the two flat cables, the power supply cable, the two- and three-pole cable connectors and the EHT-connector from the CRT.
- WARNING: The EHT cable is directly connected to the CRT. When the EHT cable to the post-acceleration anode is disconnected, the cable must be discharged by shorting the terminal to the instrument's earth.
- The power supply can now be taken out of the instrument.



MAT3674

Figure 16.2 Power supply unit in service position.

16.2.7 Front unit (A7) and LCD unit (A8)

- Put the digital unit A9 and the time base unit A4 in their upright position such as indicated in figure 16.4.
- Unscrew the two screws, located at the rear of the front unit.
- Now the complete unit assembly can be slid out of the front profile of the instrument.

NOTE: After the above actions, the front unit can be measured under working conditions, provided that the flat cable is still connected to the unit.



MAT3875

Figure 16.3 Measuring the front unit working condition

For accessibility to the component side of the front unit and LCD unit, proceed as follows:

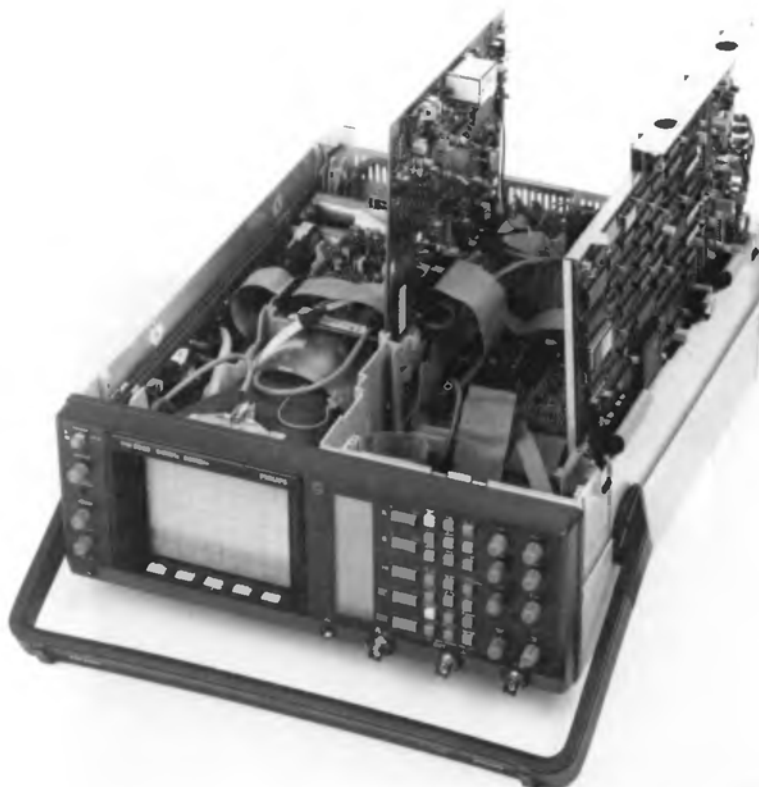
- Unplug the connector with flat cable.
- Remove all control knobs; the knobs can be easily pulled of the potentiometer spindles.
- Pull all clamping lips that secure the front unit p.c.b. gently outwards and loosen the text plate.

NOTE: The LCD unit is connected to the front unit by means of two 3-pin connectors and can be easily pulled off. The LCD display lamp is accessible after pulling of the LCD unit.

16.2.8 Digital unit A9

Measuring position and p.c.b. exchange:

- The digital unit is directly accessible after removal of the instrument's top cover: all components are accessible for measuring purposes then.
- The unit can be separated from its mounting plate after removal of the multipole and coaxial connectors and 6 mounting screws.
- The mounting plate is fixed to the right-hand side panel of the oscilloscope with 2 self-tapping screws.
- The digital unit (and its mounting plate) can be put in upright position such as indicated in figure 16.4.



MAT3672

Figure 16.4 Measuring digital unit A9 and time base unit A4 in upright position for measuring in working condition.

16.2.9 Removing the delay-line cable

The delay-line cable is a 54 cm cable that is connected between the preamplifier unit and the XYZ amplifier unit.

To remove the delay-line cable, proceed as follows:

- For access to the delay line cable, remove the digital unit, the time base unit and the pre-amplifier/adaptation unit.
- Unlock the plastic clamps that fix the cable to the instrument's chassis and to the units.
- Remove the plug that connects the delay-line cable to the pre-amplifier unit.
- Unlock the plastic clamp that fixes the cable to the XYZ-amplifier unit.
- Remove the plug that connects the delay-line cable to the XYZ-amplifier unit.

16.2.10 Replacement of CRT

IMPORTANT: It is strongly recommended to study this chapter and the associated illustration before starting the replacement. Refer also to figure 16.5 for this.

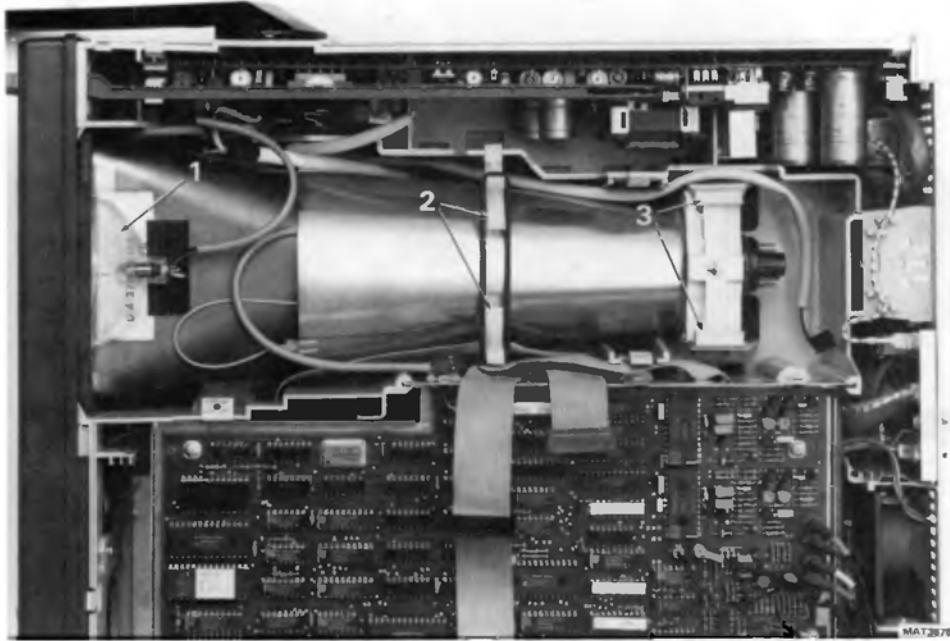


Figure 16.5 Removing the CRT

- Remove the XYZ-amplifier unit, see section 16.2.3.
- Remove the graticule lamp holder (1).
- Remove the bezel with the screen filter.
- Remove the two plastic pcb supports (2).
- Unlock the EHT-cable. Discharge the end of the cable to earth potential in order to prevent electric shock. This earth potential can be obtained via a measuring lead connected to the metal chassis plate at the rear panel of the oscilloscope.

WARNING: Handle the CRT carefully. Rough handling or scratching can cause the CRT to implode.

- Push the two clamping lips that secure the CRT support (3) and gently lift the CRT, incl. metal shielding out of the instrument.

NOTE: Before re-assembling a new CRT, first remove its protective cover and place the CRT front rubber around the CRT-front.

16.3 SOLDERING TECHNIQUES

Working method:

- Carefully unsolder one after the other the soldering leads of the semi-conductor.
- Remove all superfluous soldering material. Use a suction iron of suction litze wire.
- Check that the leads of the replacement part are clean and pre-tinned on the soldering place.
- Locate the replacement semi-conductor exactly on its place, and solder each lead to the relevant printed conductor on the circuit board.

NOTE: Bear in mind that the maximum permissible soldering time is 10 seconds during which the temperature of the leads must not exceed 250°C . The use of solder with a low melting point is therefore recommended.

Take care not to damage the plastic encapsulation of the semi-conductor (softening point of the plastic is 150°C).

ATTENTION: When you are soldering inside the instrument, it is essential to use a low-voltage soldering iron, the tip of which must be earthed to the mass of the oscilloscope.

Suitable soldering irons are:

- ORYX micro-miniature soldering instrument, type 6 A, voltage 6 V, in combination with PLATO pin-point tip type 0-569.
- ERSAs miniature soldering iron, type minor 040 B, voltage 6 V.
- Low Voltage Mini Soldering Iron, type 800/12 W-6 V, power 12 W, voltage 6 V, order no. 4822 395 10004, in combination with lmm pin-point tip, order no. 4822 395 10012.

Ordinary 60/40 solder with core and 35 to 40 W pencil type soldering iron can be used for the majority of the soldering. If a higher wattage-rating soldering iron is used on the etched circuit boards, excessive heat can cause the etched circuit wiring to separate from the board base material.

16.4 INSTRUMENT REPACKING

If the instrument is to be shipped to a Service Centre for service or repair, attach a tag showing the full address and the name of the individual at the users firm that can be contacted. The Service Centre needs the complete instrument, its serial number and a fault description. If the original packing is not available, repack the instrument in such a way that no damage occurs during transport.

16.5 TROUBLE SHOOTING

16.5.1 Introduction

The following information is provided to facilitate trouble shooting. Information contained in other sections of the manual should also be used to locate the defect. An understanding of the circuit is helpful in locating troubles, particularly where integrated circuits are used. Refer to the circuit description for this information.

16.5.2 Trouble-shooting techniques

If a fault appears, the following test sequence can be used to find the defective part:

- Check if the settings of the controls of the oscilloscope are correct. Consult the Operating Instructions.
- Check the equipment to which the oscilloscope is connected and the interconnection cables.
- Check if the oscilloscope is well-calibrated. If not, refer to section 15. "Checking and Adjusting".
- Visually check the part of the oscilloscope in which the fault is suspected. In this way, it is possible to find faults such as bad soldering connections, bad interconnection plugs and wires, damaged components or transistors and IC's that are not correctly plugged into their sockets.
- Location of the circuit part in which the fault is suspected: the symptom often indicates this part of the circuit. If the power supply supply is defective the symptom will appear in several circuit parts.

After having carried out the previous steps, individual components in the suspected circuit parts must be examined:

- Transistors and diodes.
Check the voltage between base and emitter (0,7 V approx. in conductive state) and the voltage between collector and emitter (0,2 V approx. in saturation) with a voltmeter or an oscilloscope. When removed from the p.c.b. it is possible to test the transistor with an ohmmeter since the base/collector junctions can be regarded as diodes. Like a normal diode, the resistance is very high in one direction and low in the other direction. When measuring take care that the current from the ohmmeter does not damage the component under test. Replace the suspected component by a new one if you are sure that the circuit is not in such condition that the new component will be damaged.
- Integrated circuits.
In circuit, testing can be done with an oscilloscope or voltmeter. A good knowledge of the circuit part under test is essential. Therefore, first read the circuit descriptions in sections 3...19.
- Capacitors.
Leakage can be traced with an ohmmeter adjusted to its highest resistance range. When testing take care of polarity and maximum allowed voltage. An open capacitor can be checked if the response for AC signals is observed. Also a capacitance meter can be used: compare the measured value with the value and tolerance indicated in the parts list.

- Resistors.

Can be checked with an ohmmeter after having unsoldered one side of the resistor from the p.c.b. Compare the measured value with the value and tolerance indicated in the parts list.

- Coils and transformers.

An ohmmeter can be used for tracing an open circuit. Shorted or partially shorted windings can be found by checking the waveform responses when HF signals are passed through the circuit. Also an inductance meter can be used.

- Data latches.

To measure on inputs and outputs of data latches a measuring oscilloscope can be triggered by the clock signal which is connected to the clock input of the data latch. This measurement can only be made in this way when there is an acceptable repetition time of the clock signal. A too low clock pulse repetition time results in a low intensity of the trace on the measuring oscilloscope screen.

The outputs can easily be checked by a voltmeter or oscilloscope.

16.5.3 Power-up routine

Every time the instrument is switched-on an initialisation program is executed. By simply watching the LCD after switching on, it can be determined if the microcomputer related control part of the oscilloscope is functioning correctly.

Directly after switching on, the instrument's internal serial control bus is checked and if everything is OK all segments in the LCD will light up. Passing this test means that the serial bus that controls the LCD and that puts the circuitry in the desired mode, functions correctly. This control bus is the so-called I2C bus and a general description of its configuration can be found in the explanation of the digital block diagram (where the control signals are generated) and the analog block diagram (where the control signals are setting the circuitry in the desired mode. The block diagram shows that the control signals are generated on the digital unit A9 and that the distribution occurs via the front unit A7.

After the test of the serial control bus, the RAM where the scope's settings are stored is tested. These settings are compared with a sumcheck figure. If the test is successfully passed, the settings from before switching-on are becoming active and thus also visible in the LCD. If the sumcheck test is not passed (e.g. if the memory back-up batteries are not installed or empty), the RAM is tested byte for byte. This is done by writing and reading 10101010 and 01010101 bit patterns in every memory location. If a fault is detected, the program keeps on trying to write and read into the defective memory address. This can be measured with an oscilloscope at the RAM's chip enable input and at the read and write inputs (half the frequency).

If this test is passed the instrument starts up with default settings and the LCD is updated correspondingly.

16.5.4 Trouble-shooting the power supply

To determine whether a certain fault condition is initiated by the power supply itself or by the connected oscilloscope circuits, a dummy load is listed in the table below. The table gives also an example of the resistor types that can be used to compose the dummy load. These resistors can be ordered at Concern Service.

Supply voltage	Output current	Dummy resistance and their service ordering numbers
+ 5 V	2,4 A	2,9E-12W: 3 x 10E (4822 112 21052) and 22E (4822 11221063) in parallel.
- 6,4 V	930 mA	6,9E-6W: 8,2E (4822 112 41052) and 47E (4822 110 23072) in parallel.
+ 12 V	720 mA	17,2E-8,7W: 33E (4822 112 41067) and 39E (4822 112 43069) in parallel.
- 12 V	500 mA	24,7E-6W: 39E (4822 112 41069) and 68E (4822 112 41076) in parallel.
+ 17 V	340 mA	51E-6W: 1E (4822 110 23027) in serial with 2 x 100E (4822 112 41081) in parallel.
- 17 V	100 mA	171E-1,7W: 270E (4822 110 43092) and 470E (4822 110 43098) in parallel.
+ 48 V	140 mA	341E-7W: 330E (4822 112 41094) in serial with 12E (4822 110 23056) in parallel.
+ 48 V	40 mA	1k22-2W: 2k2 (4822 110 23116) and 2k7 (4822 110 23118) in parallel.

16.6 SPECIAL TOOLS

16.6.1 Trimming Kit SBC 317 - 4822 310 50095

The SBC 317 Trimming Kit matches every current trimming requirement for all products. The set contains 27 items (22 different bits, plus 3 bit holders and 2 extension pieces). The insulated holders and extension pieces make it easy to reach into a chassis and make accurate adjustments, without wasting time or risking shocks.

The SBC 317 Trimming Kit is packed in a flat transparent case. Several of the most commonly required bits are duplicated. In addition, a spare set of 8 bits is separately available as replacement (4822 310 50016).

The Trimming Kit contains the following parts:



Figure 16.6 Trimming tool kit

16.6.2 p.c.b. Snapper - 5322 535 91942

A special tool is available for removal of the p.c.b. from the p.c.b. supports. Information on how to use this tool is given in chapter 16.2. The ordering number of this tool is 5322 535 91942



MAT 2239

Figure 16.7 p.c.b. Snapper

16.7 RECALIBRATION AFTER REPAIR

After any electrical component has been renewed the calibration of its associated circuit should be checked, as well as the calibration of other closely-related circuits.

Since the power supply affects all circuits, calibration of the entire instrument should be checked if work has been done in the power supply or if the transformer has been renewed.

17. SAFETY INSPECTION AND TEST AFTER REPAIR AND MAINTENANCE IN THE PRIMARY CIRCUIT

17.1 GENERAL DIRECTIVES

- Take care that the creepage distances and clearances have not been reduced.
- Before soldering, the wires should be bent through the holes of solder tags, or wrapped around the tag in the form of an open U, or, wiring rigidity shall be maintained by cable clamps or cable lacing.
- Replace all insulating guards and -plates.

17.2 SAFETY COMPONENTS

Components in the primary circuit may only be renewed by components selected by Philips, see also section 16.1.2.

17.3 CHECKING THE PROTECTIVE EARTH CONNECTION

The correct connection and condition is checked by visual control and by measuring the resistance between the protective lead connection at the plug and the cabinet/frame. The resistance shall not be more than 0,1 Ohm. During measurement the mains cable should be removed from the mains. Resistance variations indicate a defect.

17.4 CHECKING THE INSULATION RESISTANCE

Measure the insulation resistance at $U = 500$ V dc between the mains connections and the protective lead connections. For this purpose, set the mains switch to ON. The insulation resistance shall not be less than 2 Meg-ohm.

NOTE: 2 Meg-ohm is a minimum requirement at 40°C and 95% Relative Humidity. Under normal conditions the insulation resistance should be much higher (10 ... 20 Meg-ohm).

17.5 CHECKING THE LEAKAGE CURRENT

The leakage current shall be measured between each pole of the mains supply in turn, and all accessible conductive parts connected together (including the measuring earth terminal).

The leakage current is not excessive if the measured currents from the mentioned parts does not exceed 0,5 mA rms.

17-2

17.6 VOLTAGE TEST

The instrument shall withstand, without electrical breakdown, the application of a test voltage between the supply circuit and accessible conductive parts that are likely to become energized. The test potential shall be 1500 V rms at supply-circuit frequency, applied for one second.

The test shall be conducted when the instrument is fully assembled, and with the primary switch in the ON position.

During the test, both sides of the primary circuit of the instrument are connected together and to one terminal of the voltage test equipment; the other voltage test equipment terminal is connected to the accessible conductive parts.

18. PARTS LIST

(subject to alteration without notice)

18.1 MECHANICAL PARTS (Are indicated in figure 18.1)

Item	Qty	Ordering code	Description
1	1	5322 459 20503	Bezel
2	1	5322 414 20213	Positioning strip, plastic
3	1	5322 464 90484	Fixation strip
5	1	5322 480 30181	Contrast filter blue
6	1	5322 455 81083	Textfilm on bezel PM3335
6	1	5322 455 81084	Textfilm on bezel PM3337
7	1	5322 268 14052	CAL socket
8	1	4822 530 70296	Clamping spring for CAL socket
9	11	5322 414 10018	Control knob with spring
10	1	5322 464 90252	Front frame
11	1	5322 455 81026	Textfilm CRT unit
12	1	5322 455 81085	Textfilm for handle PM3335
13	1	5322 498 50219	Handle assembly
15	1	5322 414 60142	Power-on knob, green-brown
20	2	5322 492 63355	Spring for handle
21	1	5322 535 80735	Extension part for power-on switch
22	1	5322 447 91499	Upper cabinet
24	2	5322 462 10265	P.c.b. support for A3
27	2	5322 462 10264	P.c.b. guiding for A6
30	1	5322 464 90486	Chassis
37	6	5322 462 30304	P.c.b. support
38	1	5322 464 90249	Bottom cabinet
39	2	5322 464 90253	Attenuator cover
40	4	5322 462 50325	Bottom foot
41	3	5322 506 21188	BNC spacer ring
42	3	5322 532 41006	BNC extension bush
43	3	5322 267 10004	BNC socket
44	1	5322 464 90254	Front unit frame
45	1	5322 455 81086	Textfilm for front unit
46	23	5322 276 11856	Softkey brown
47	1	5322 276 12332	Softkey white
48	1	5322 276 11857	Softkey green
49	5	5322 277 10878	UP-DOWN key brown
50	2	5322 492 63354	Range indication spring
51	1	5322 450 60952	LCD window
54	1	5322 256 60289	Battery back-up holder
55	1	5322 361 10326	FAN assembly
56	2	5322 401 11278	Metal fastener for A9
57	2	5322 290 40257	Flat cable clamp
58	2	5322 256 64014	Battery holder
--	2	5322 255 40928	Heatsink for V3011 and V3012
--	2	5322 255 40059	Spacer for heatsink V3011, V3012
--	2	5322 401 10954	Delay line cable clamp

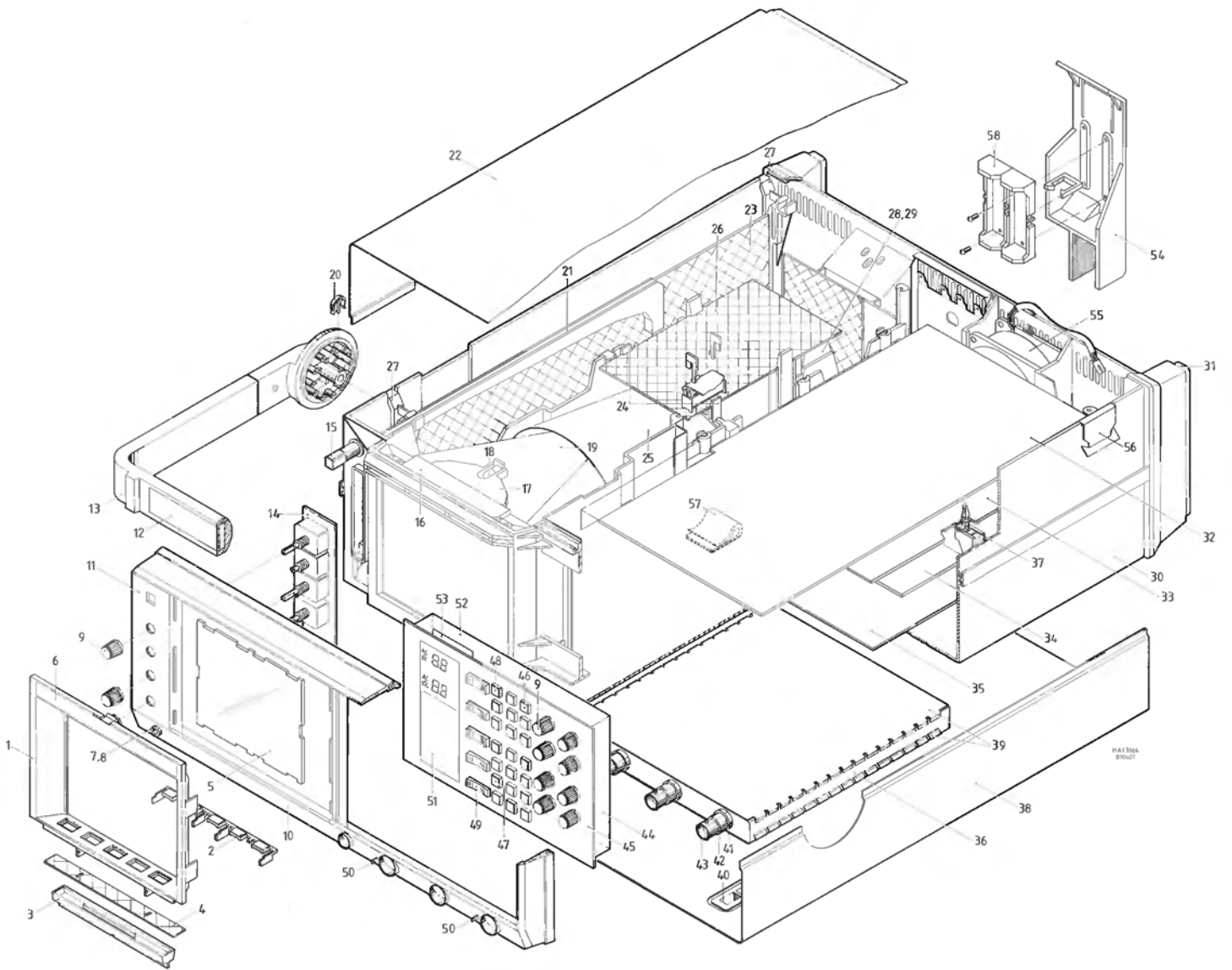


Figure 18.1 Exploded view

Mechanical parts located at rear panel

Item	Qty	Ordering code	Description
31	2	5322 462 50324	Rear foot
--	1	5322 267 10004	BNC socket for Z-MOD
--	2	5322 502 12003	Screws for mains input socket
--	1	5322 321 21616	Line cable, European version
--	1	5322 321 10446	Line cable, USA version
--	1	5322 321 21617	Line cable, British version
--	1	5322 321 21618	Line cable, Swiss version
--	1	5322 321 21781	Line cable, Australean version
--	1	5322 219 81119	Mains input socket, incl. fuse holder
--	1	4822 253 30024	Fuse 1,6A (for mains input)

Mechanical parts located around the Cathode Ray Tube

Item	Qty	Ordering code	Description
16	1	5322 460 60404	CRT front rubber
17	1	5322 462 40957	Light conductor for CRT
18	1	5322 134 40534	Lamp 28V-40mA
19	1	5322 131 20169	Cath. Ray Tube D14-372GH
25	1	5322 466 30163	CRT shielding
28	1	5322 466 30164	CRT manchete, rubber
29	1	5322 462 10263	CRT support, plastic

Printed circuit boards

Item	Unit nr.	Ordering code	Description
36	A1	5322 216 51114	Attenuator unit
35	A2	5322 216 51196	Pre-amplifier unit
26	A3	5322 216 51117	XYZ-amplifier unit
33	A4	5322 216 51239	Time-base unit
14	A5	5322 216 51118	CRT-control unit
23	A6	5322 216 51195	Power supply unit
52	A7	5322 216 51233	Front unit
53	A8	5322 216 51207	LCD unit
32	A9	5322 216 51232	Digital unit A9
34	A15	5322 216 51204	Adaptation unit
4	A18	5322 216 51209	Unit with 5 pushbuttons under CRT screen

18.2 CABLES AND CONNECTORS

18.2.1 Flatcables and connectors

For the flatcables used in this oscilloscope, the required version must be made by yourself with the following parts:

- Universal flatcable, 40 wires, length 60 cm 5322 323 50112

To get the required number of wires, the flat cable must be split by means of a pair of scissors or a knife.

The cable must be cut to the required length.

- Flatcable connectors

The connectors can be mounted on the flatcable by means of a pair of pliers or in a bench-vice.

ATTENTION: Check the position of the flatcable in the connector before pressing the connector together.

The following connectors are available:

6 pole cable connector	X7019	5322 268 40301
10 pole cable connector	X606-X5007-X6007	5322 268 40234
20 pole cable connector	X2010-X3002-X3003	5322 268 40235
	X4002-X4010-X6009	
	X7091	
26 pole cable connector	X1009-X2009	5322 267 70175
34 pole cable connector	X2001-X4001	5322 268 40236
40 pole cable connector	X9050-X7050-(X150)	5322 267 70227

The following AMP-connectors are available:

2 pole-single, without contact pins	5322 268 40232
3 pole-single, without contact pins	5322 268 40233
bus contact for AMP-cable connector, per piece:	5322 268 20152
5 pole connector for power-in:	5322 267 50452
bus contact for connector, per piece:	5322 268 24128

NOTE: The flatcables are fixed onto the p.c.b. connectors by means of a pair of flatcable connector clamps, per piece

5322 401 11156

18.2.2 P.c.b.-connectors (male headers)

Type	Item	Ordering number
2 pole-single	X414-X416-X2013-X4017 X6018-X6020	5322 265 20275
2 pole-single 90° type	X9016-X9017-X9018	5322 265 20356
3 pole-single	X6008-X6019	5322 265 30434
3 pole single	X7011-X7012	5322 265 30396
3 pole-single 90° type	X2004-X3004-X3005- X3008	5322 265 30433
5 pole-single	X6014	5322 265 40436
6 pole-single 90° type	X9004	5322 265 30741
10 pole-double	X606-X5007-X6007-X9006	5322 265 40485
10 pole-double 90° type	X606	5322 265 51188
20 pole-double	X2010-X3002-X3003 X4002-X4010-X6003 X9003	5322 265 51129
26 pole-double	X1009-X2009	5322 265 61071
34 pole-double	X9050-7050	5322 265 61069
34 pole-double 90° type	X7001	5322 265 61068
40 pole-double	X98-X808	5322 265 61072

18.2.3 50 Ohm cables and connectors

The 50 Ohm coax-cables are standerdized, so some cables are a little bit too long.

The tules around the cable end may have a different colour; if necessary it can be replaced by the original one.

- Cable, 30 cm long, 90° type	5322 321 22617
- Cable, 45 cm long	5322 321 22616

The 50 Ohm coax-connector socket consists of two parts, bush and pin.

- Outer part (bush)	5322 268 24116
- Inner part (pin)	5322 268 14141

18.2.4 Miscellaneous cables

- Delay line cable, 54 cm long	5322 321 21595
- Flex jump cable, used for interconnection for A3 - 11 pole.	5322 290 60605

18.2.5 Miscellaneous sockets and connectors

CRT socket	5322 255 40502
p.c.b. socket, 3 pole (X7011, X7012)	5322 265 30396
p.c.b. socket, 3 pole (X8011, X8012)	5322 267 40667
Socket for D9079	5322 255 40828
Socket for D801	5322 255 40815
p.c.b. socket, 8 pole (X621, X622, X623, X624)	5322 265 40483
p.c.b. socket, 8 pole (X2021, X2022, X2023, X2024)	5322 267 50786

18.3 ELECTRICAL PARTS

18.3.1 CAPACITORS

POSNR	DESCRIPTION	ORDERING CODE
C 0601	-20+50% 10NF	4822 122 31414
C 0602	-20+50% 10NF	4822 122 31414
C 0603	-20+50% 10NF	4822 122 31414
C 0604	10% 470PF	4822 122 30034
C 0605	10% 1.5NF	4822 122 31169
C 0606	10% 1.5NF	4822 122 31169
C 0607	-20+50% 10NF	4822 122 31414
C 0608	-20+50% 10NF	4822 122 31414
C 0681	-10+50% 47UF	4822 124 20699
C 0682	-20+50% 10NF	4822 122 31414
C 0683	-10+50% 47UF	4822 124 20699
C 0684	-20+50% 10NF	4822 122 31414
C 0689	-20+50% 10NF	4822 122 31414
C 0691	-20+50% 10NF	4822 122 31414
C 0692	-20+50% 10NF	4822 122 31414
C 0693	-20+50% 10NF	4822 122 31414
C 1001	-20+50% 10NF	4822 122 31414
C 1002	400V 10% 22NF	5322 121 40308
C 1003	-20+50% 10NF	4822 122 31414
C 1004	-20+50% 10NF	4822 122 31414
C 1006	-20+50% 10NF	4822 122 31414
C 1007	0.25PF 1PF	5322 122 32773
C 1009	2% 33PF	5322 122 32072
C 1011	63V 10% 220NF	4822 121 42408
C 1012	63V 10% 220NF	4822 121 42408
C 1013	2% 15PF	4822 122 31823
C 1014	0.25PF 0.56PF	5322 122 32107
C 1016	0.25PF 3.3PF	5322 122 32549
C 1017	0.25PF 3.3PF	4822 122 31821
C 1018	0.25PF 2.7PF	5322 122 32894
C 1019	2% 33PF	5322 122 32072
C 1021	-20+50% 10NF	4822 122 31414
C 1022	2% 22PF	5322 122 32143
C 1023	7-10.0 PF MUR	5322 125 11013
C 1024	-20+50% 10NF	4822 122 31414
C 1026	0.25PF 3.3PF	5322 122 32549
C 1027	0.25PF 2.2PF	5322 122 32774
C 1028	2% 33PF	5322 122 32072
C 1029	7-10.0 PF MUR	5322 125 11013
C 1031	-20+50% 10NF	4822 122 31414
C 1032	2% 33PF	5322 122 32551
C 1033	7-10.0 PF MUR	5322 125 11013
C 1034	-20+50% 10NF	4822 122 31414
C 1035	-20+50% 10NF	4822 122 31414
C 1036	2% 39PF	4822 122 31069
C 1037	2% 22PF	5322 122 32143
C 1038	2% 100PF	4822 122 31316
C 1039	25-2.3 PF MUR	5322 125 11021
C 1040	2% 100PF	4822 122 31316
C 1041	63V 10% 100NF	5322 121 42492
C 1042	-20+50% 10NF	4822 122 31414
C 1043	-20+50% 10NF	4822 122 31414
C 1044	-20+50% 10NF	4822 122 31414
C 1045	-20+50% 10NF	4822 122 31414
C 1046	-10+50% 68UF	4822 124 20689
C 1047	0.25PF 4.7PF	4822 122 31822
C 1061	10% 470PF	4822 122 30034
C 1062	0.25PF 3.3PF	4822 122 31821
C 1063	2% 33PF	5322 122 32072
C 1064	10% 2.2NF	4822 122 30114
C 1066	-20+50% 10NF	4822 122 31414
C 1067	2% 150PF	4822 122 31413
C 1068	-20+50% 10NF	4822 122 31414
C 1071	-20+50% 10NF	4822 122 31414
C 1072	-20+50% 10NF	4822 122 31414
C 1073	-20+50% 10NF	4822 122 31414
C 1074	-20+50% 10NF	4822 122 31414
C 1076	10% 1.5NF	4822 122 31169
C 1077	10% 1.5NF	4822 122 31169
C 1101	-20+50% 10NF	4822 122 31414
C 1102	400V 10% 22NF	5322 121 40308
C 1103	-20+50% 10NF	4822 122 31414
C 1104	-20+50% 10NF	4822 122 31414
C 1106	-20+50% 10NF	4822 122 31414
C 1107	0.25PF 1PF	5322 122 32773
C 1109	2% 33PF	5322 122 32072
C 1111	63V 10% 220NF	4822 121 42408
C 1112	63V 10% 220NF	4822 121 42408
C 1113	2% 15PF	4822 122 31823
C 1114	0.25PF 0.56PF	5322 122 32107
C 1116	0.25PF 3.3PF	5322 122 32549
C 1117	0.25PF 3.3PF	4822 122 31821

POSNR	DESCRIPTION	ORDERING CODE
C 1118	0.25PF 2.7PF	5322 122 32894
C 1119	2% 33PF	5322 122 32072
C 1121	-20+50% 10NF	4822 122 31414
C 1122	2% 22PF	5322 122 32143
C 1123	7-10.0 PF MUR	5322 125 11013
C 1124	-20+50% 10NF	4822 122 31414
C 1126	0.25PF 3.3PF	5322 122 32549
C 1127	0.25PF 2.2PF	5322 122 32774
C 1128	2% 33PF	5322 122 32072
C 1129	7-10.0 PF MUR	5322 125 11013
C 1131	-20+50% 10NF	4822 122 31414
C 1132	2% 33PF	5322 122 32551
C 1133	7-10.0 PF MUR	5322 125 11013
C 1134	-20+50% 10NF	4822 122 31414
C 1135	-20+50% 10NF	4822 122 31414
C 1136	2% 39PF	4822 122 31069
C 1137	2% 22PF	5322 122 32143
C 1138	2% 100PF	4822 122 31316
C 1139	0.25PF 2.2PF	4822 122 31036
C 1140	2% 100PF	4822 122 31316
C 1141	63V 10% 100NF	5322 121 42492
C 1142	-20+50% 10NF	4822 122 31414
C 1143	-20+50% 10NF	4822 122 31414
C 1144	-20+50% 10NF	4822 122 31414
C 1145	-20+50% 10NF	4822 122 31414
C 1146	-10+50% 68UF	4822 124 20689
C 1147	0.25PF 4.7PF	4822 122 31822
C 1161	10% 470PF	4822 122 30034
C 1162	0.25PF 3.3PF	4822 122 31821
C 1163	2% 33PF	5322 122 32072
C 1164	10% 2.2NF	4822 122 30114
C 1166	-20+50% 10NF	4822 122 31414
C 1167	2% 150PF	4822 122 31413
C 1168	-20+50% 10NF	4822 122 31414
C 1171	-20+50% 10NF	4822 122 31414
C 1172	-20+50% 10NF	4822 122 31414
C 1173	-20+50% 10NF	4822 122 31414
C 1174	-20+50% 10NF	4822 122 31414
C 1176	10% 1.5NF	4822 122 31169
C 1177	10% 1.5NF	4822 122 31169
C 1201	-20+50% 10NF	4822 122 31414
C 1202	400V 10% 22NF	5322 121 40308
C 1203	2% 33PF	5322 122 32551
C 1204	0.25PF 3.9PF	4822 122 31217
C 1206	7-10.0 PF MUR	5322 125 11013
C 1207	2% 22PF	5322 122 32143
C 1208	-20+50% 10NF	4822 122 31414
C 1210	0.25PF 2.2PF	4822 122 31036
C 1211	-20+50% 10NF	4822 122 31414
C 1212	2% 100PF	4822 122 31316
C 1213	0.25PF 1.8PF	5322 122 32313
C 1214	0.25PF 0.68PF	4822 122 31215
C 1216	2% 12PF	4822 122 31056
C 1217	-20+50% 10NF	4822 122 31414
C 1401	-20+50% 10NF	4822 122 31414
C 1402	-20+50% 10NF	4822 122 31414
C 1403	-20+50% 10NF	4822 122 31414
C 1404	-10+50% 68UF	4822 124 20689
C 1405	-20+50% 10NF	4822 122 31414
C 1407	-20+50% 10NF	4822 122 31414
C 1408	-20+50% 10NF	4822 122 31414
C 1409	-10+50% 68UF	4822 124 20689
C 1411	-20+50% 10NF	4822 122 31414
C 1412	-20+50% 10NF	4822 122 31414
C 1413	-10+50% 47UF	4822 124 20699
C 1414	-20+50% 10NF	4822 122 31414
C 1420	-20+50% 10NF	4822 122 31414
C 1421	-20+50% 10NF	4822 122 31414
C 1422	-20+50% 10NF	4822 122 31414
C 1423	-20+50% 10NF	4822 122 31414
C 1424	-10+50% 68UF	4822 124 20689
C 1427	-20+50% 10NF	4822 122 31414
C 1428	-20+50% 10NF	4822 122 31414
C 1429	-10+50% 68UF	4822 124 20689
C 1431	-20+50% 10NF	4822 122 31414
C 1432	-20+50% 10NF	4822 122 31414
C 1433	-10+50% 47UF	4822 124 20699
C 1434	-20+50% 10NF	4822 122 31414
C 1441	-20+50% 10NF	4822 122 31414
C 1442	-10+50% 68UF	4822 124 20689
C 1443	-20+50% 10NF	4822 122 31414
C 1444	-20+50% 10NF	4822 122 31414
C 1446	-10+50% 68UF	4822 124 20689
C 1447	-20+50% 10NF	4822 122 31414
C 2049	10% 1.5NF	4822 122 31169
C 2050	-20+50% 10NF	4822 122 31414
C 2051	10% 1.5NF	4822 122 31169
C 2149	10% 1.5NF	4822 122 31169
C 2150	-20+50% 10NF	4822 122 31414
C 2151	10% 1.5NF	4822 122 31169

POSNR	DESCRIPTION	ORDERING	CODE	POSNR	DESCRIPTION	ORDERING	CODE
C 2201	-20+50% 10NF	4822	122 31414	C 3021	-20+50% 10NF	4822	122 31414
C 2203	-20+50% 10NF	4822	122 31414	C 3022	-20+50% 10NF	4822	122 31414
C 2215	0.25PF 6.8PF	4822	122 31049	C 3101	10% 1.5NF	4822	122 31169
C 2216	0.25PF 2.7PF	4822	122 31038	C 3102	10% 1.5NF	4822	122 31169
C 2217	-20+50% 10NF	4822	122 31414	C 3103	7-10PF	5322	125 11013
C 2218	0.25PF 2.7PF	4822	122 31038	C 3104	100V 10% 47NF	5322	121 42491
C 2220	0.25PF 5.6PF	5322	122 32163	C 3105	-20+50% 10NF	4822	122 31414
C 2221	10% 1.5NF	4822	122 31169	C 3106	63V 10% 100NF	5322	121 42492
C 2222	0.25PF 8.2PF	4822	122 31052	C 3107	0.25PF 2.7PF	4822	122 31038
C 2223	10% 1.5NF	4822	122 31169	C 3108	0.25PF 0.82PF	4822	122 31214
C 2224	10% 1.5NF	4822	122 31169	C 3109	63V 10% 100NF	5322	121 42492
C 2225	10% 470PF	4822	122 30034	C 3110	-20+50% 10NF	4822	122 31414
C 2226	10% 470PF	4822	122 30034	C 3111	-20+50% 10NF	4822	122 31414
C 2229	10% 470PF	4822	122 30034	C 3112	0.25PF 3.9PF	5322	122 34107
C 2230	10% 470PF	4822	122 30034	C 3113	0.25PF 0.82PF	4822	122 31214
C 2305	-20+50% 10NF	4822	122 31414	C 3114	100V 10% 47NF	5322	121 42491
C 2306	10% 1.5NF	4822	122 31169	C 3116	63V 10% 100NF	5322	121 42492
C 2307	10% 1.5NF	4822	122 31169	C 3200	0.25PF 0.56PF	5322	122 32107
C 2317	0.25PF 1.5PF	5322	122 32101	C 3201	0.25PF 0.56PF	5322	122 32107
C 2318	10% 470PF	4822	122 30034	C 3202	63V 10% 100NF	5322	121 42492
C 2321	0.25PF 1.5PF	5322	122 32101	C 3203	63V 10% 100NF	5322	121 42492
C 2326	-20+50% 10NF	4822	122 31414	C 3204	-20+50% 10NF	4822	122 31414
C 2327	-20+50% 10NF	4822	122 31414	C 3206	63V 10% 100NF	5322	121 42492
C 2328	63V 10% 100NF	5322	121 42492	C 3208	10% 470PF	4822	122 30034
C 2329	63V 10% 100NF	5322	121 42492	C 3209	-10+10% 2.2NF	5322	122 33851
C 2331	63V 10% 100NF	5322	121 42492	C 3211	-10+10% 2.2NF	5322	122 33851
C 2332	63V 10% 100NF	5322	121 42492	C 3250	100V 10% 10NF	4822	121 41857
C 2333	63V 10% 100NF	5322	121 42492	C 3251	63V 10% 220NF	4822	121 42408
C 2335	2% 12PF	4822	122 31056	C 3252	-10+10% 2.2NF	5322	122 33851
C 2336	-20+50% 10NF	4822	122 31414	C 3253	-20+50% 10NF	4822	122 31414
C 2337	-20+50% 10NF	4822	122 31414	C 3254	-20+50% 10NF	4822	122 31414
C 2338	10% 470PF	4822	122 30034	C 3256	0.25PF 0.56PF	5322	122 32107
C 2345	0.25PF 01.8PF	5322	122 32313	C 3257	-20+50% 10NF	4822	122 31414
C 2346	10% 1.5NF	4822	122 31169	C 3258	-10+10% 2.2NF	5322	122 33851
C 2348	10% 1.5NF	4822	122 31169	C 3301	-20+50% 10NF	4822	122 31414
C 2350	0.25PF 2.7PF	4822	122 31038	C 3302	-20+50% 10NF	4822	122 31414
C 2600	2% 22PF	5322	122 32143	C 3303	-10+50% 47UF	4822	124 20699
C 2601	63V 10% 100NF	5322	121 42492	C 3304	-20+50% 10NF	4822	122 31414
C 2602	-20+50% 10NF	4822	122 31414	C 3306	-20+50% 10NF	4822	122 31414
C 2604	10% 1.5NF	4822	122 31169	C 3307	-20+50% 10NF	4822	122 31414
C 2611	10% 1NF	4822	122 30027	C 3308	-20+50% 10NF	4822	122 31414
C 2612	-20+50% 10NF	4822	122 31414	C 3309	-20+50% 10NF	4822	122 31414
C 2613	10% 470PF	4822	122 30034	C 3311	-20+50% 10NF	4822	122 31414
C 2616	10% 470PF	4822	122 30034	C 3312	-10+50% 47UF	4822	124 20699
C 2701	-10+50% 100UF	4822	124 20679	C 3313	-20+50% 10NF	4822	122 31414
C 2702	-20+50% 10NF	4822	122 31414	C 3314	-10+50% 15UF	4822	124 20729
C 2703	-20+50% 10NF	4822	122 31414	C 3316	-20+50% 10NF	4822	122 31414
C 2704	-20+50% 10NF	4822	122 31414	C 3317	-20+50% 10NF	4822	122 31414
C 2706	-10+50% 100UF	4822	124 20679	C 3318	-20+50% 10NF	4822	122 31414
C 2707	-20+50% 10NF	4822	122 31414	C 3319	-10+50% 15UF	4822	124 20729
C 2708	-20+50% 10NF	4822	122 31414	C 3321	-20+50% 10NF	4822	122 31414
C 2709	-20+50% 10NF	4822	122 31414	C 3322	-20+50% 10NF	4822	122 31414
C 2711	-20+50% 10NF	4822	122 31414	C 3324	-20+50% 10NF	4822	122 31414
C 2716	-10+50% 68UF	4822	124 20689	C 3326	-20+50% 10NF	4822	122 31414
C 2717	-20+50% 10NF	4822	122 31414	C 4001	2% 100PF	4822	122 31316
C 2718	-20+50% 10NF	4822	122 31414	C 4002	2% 100PF	4822	122 31316
C 2722	-20+50% 10NF	4822	122 31414	C 4003	100V 10% 10NF	4822	121 41857
C 2726	-10+50% 68UF	4822	124 20689	C 4004	10% 4.7NF	4822	122 31125
C 2727	-20+50% 10NF	4822	122 31414	C 4005	10% 4.7NF	4822	122 31125
C 2728	-20+50% 10NF	4822	122 31414	C 4006	-20+50% 10NF	4822	122 31414
C 2741	-20+50% 10NF	4822	122 31414	C 4007	10% 470PF	4822	122 30034
C 2744	-20+50% 10NF	4822	122 31414	C 4011	-20+50% 10NF	4822	122 31414
C 2746	-20+50% 10NF	4822	122 31414	C 4028	2% 100PF	4822	122 31316
C 2747	-10+50% 68UF	4822	124 20689	C 4029	2% 100PF	4822	122 31316
C 2748	-20+50% 10NF	4822	122 31414	C 4101	-20+50% 10NF	4822	122 31414
C 2751	-10+50% 47UF	4822	124 20699	C 4103	-20+50% 10NF	4822	122 31414
C 2752	-20+50% 10NF	4822	122 31414	C 4105	63V 10% 100NF	5322	121 42492
C 2753	-20+50% 10NF	4822	122 31414	C 4106	-10+50% 150UF	4822	124 20672
C 2754	-20+50% 10NF	4822	122 31414	C 4107	63V 10% 100NF	5322	121 42492
C 2771	-20+50% 10NF	4822	122 31414	C 4108	2% 100PF	4822	122 31316
C 2772	-10+50% 150UF	4822	124 20672	C 4109	-20+50% 10NF	4822	122 31414
C 2773	-20+50% 10NF	4822	122 31414	C 4110	63V 10% 470NF	5322	121 42979
C 2774	-10+50% 68UF	4822	124 20689	C 4112	-20+50% 10NF	4822	122 31414
C 2776	-20+50% 10NF	4822	122 31414	C 4113	630V 1% 1NF	4822	121 50591
C 2777	63V 10% 100NF	5322	121 42492	C 4114	100V 10% 10UF	5322	121 41727
C 2781	-20+50% 10NF	4822	122 31414	C 4116	10% 1.5NF	4822	122 31169
C 3001	-20+50% 10NF	4822	122 31414	C 4117	2% 100PF	4822	122 31316
C 3002	10% 1.5NF	4822	122 31169	C 4118	-20+50% 10NF	4822	122 31414
C 3003	10% 1.5NF	4822	122 31169	C 4120	63V 10% 100NF	5322	121 42492
C 3004	7-10.0 PF MUR	5322	125 11013	C 4122	63V 10% 100NF	5322	121 42492
C 3005	2-20PF MUR	5322	125 50296	C 4123	-10+50% 47UF	4822	124 20699
C 3007	7-10.0 PF MUR	5322	125 11013	C 4124	-20+50% 10NF	4822	122 31414
C 3008	0.25PF 8.2PF	4822	122 31052	C 4126	-10+50% 47UF	4822	124 20699
C 3009	2% 12PF	4822	122 31056	C 4260	63V 10% 100NF	5322	121 42492
C 3011	2% 68PF	4822	122 31349	C 4301	63V 10% 100NF	5322	121 42492
C 3013	0.25PF 2.7PF	4822	122 31038	C 4302	-10+50% 4.7UF	4822	124 20726
C 3014	0.25PF 2.7PF	4822	122 31038	C 4303	100V 10% 10NF	4822	121 41857
C 3016	2-20PF MUR	5322	125 50296	C 4304	2% 220PF	4822	122 30094
C 3017	-20+50% 10NF	4822	122 31414	C 4306	-20+50% 10NF	4822	122 31414
C 3018	0.25PF 5.6PF	5322	122 32163	C 4307	-20+50% 10NF	4822	122 31414

POSNR	DESCRIPTION	ORDERING CODE	POSNR	DESCRIPTION	ORDERING CODE
C 4311	2% 100PF	4822 122 31316	C 6135	-20+50% 10NF	4822 122 31414
C 4501	-20+50% 10NF	4822 122 31414	C 6201	100V 10% 47NF	5322 121 42491
C 4502	-20+50% 10NF	4822 122 31414	C 6202	2% 47PF	4822 122 31072
C 4503	0.25PF 3.9PF	5322 122 34107	C 6203	63V 10% 220NF	4822 121 42408
C 4521	63V 10% 100NF	5322 121 42492	C 6204	63V 10% 100NF	5322 121 42492
C 4522	63V 10% 100NF	5322 121 42492	C 6205	100V 10% 100NF	5322 121 42578
C 4601	63V 10% 100NF	5322 121 42492	C 6206	10% 1NF	4822 122 30027
C 4602	0.25PF 8.2PF	4822 122 31052	C 6207	10% 4.7NF	4822 122 31125
C 4603	0.25PF 8.2PF	4822 122 31052	C 6208	-10+50% 68UF	4822 124 20734
C 4611	-20+50% 10NF	4822 122 31414	C 6209	-20+50% 2.2NF	5322 122 50093
C 4612	-20+50% 10NF	4822 122 31414	C 6210	100V 10% 100NF	5322 121 42578
C 4613	2% 10PF	4822 122 32185	C 6211	-20+50% 10NF	5322 122 50091
C 4701	10% 1NF	4822 122 30027	C 6212	-10+10% 33PF	5322 122 33081
C 4702	2% 220PF	4822 122 30094	C 6213	10% 4.7NF	4822 122 31125
C 4703	10% 1NF	4822 122 30027	C 6214	20% 470PF	5322 122 50086
C 4704	-20+50% 10NF	4822 122 31414	C 6215	100V 10% 100NF	5322 121 42578
C 4801	-20+20% 2200UF	4822 124 21382	C 6311	-20+50% 10NF	4822 122 31414
C 4804	-10+50% 150UF	4822 124 20672	C 6312	-20+50% 10NF	4822 122 31414
C 4807	-20+50% 10NF	4822 122 31414	C 6401	63V 10% 100NF	5322 121 42492
C 4808	-10+50% 68UF	4822 124 20689	C 6402	-10+50% 68UF	4822 124 20689
C 4811	-20+50% 10NF	4822 122 31414	C 6500	-10+50% 68UF	4822 124 20689
C 4815	-20+50% 10NF	4822 122 31414	C 6501	-20+50% 10NF	4822 122 31414
C 4819	-20+50% 10NF	4822 122 31414	C 6502	100V 10% 10NF	4822 121 41857
C 4820	-20+50% 10NF	4822 122 31414	C 6503	2% 100PF	4822 122 31316
C 4822	-20+50% 10NF	4822 122 31414	C 6506	2% 100PF	4822 122 31316
C 4825	-20+50% 10NF	4822 122 31414	C 7001	63V 10% 220NF	4822 121 42408
C 4829	-20+50% 10NF	4822 122 31414	C 7004	-20+50% 10NF	4822 122 31414
C 4831	-20+50% 10NF	4822 122 31414	C 7005	63V 10% 100NF	5322 121 42492
C 4832	-10+50% 47UF	4822 124 20699	C 7006	-20+50% 10NF	4822 122 31414
C 4833	-20+50% 10NF	4822 122 31414	C 7007	63V 10% 100NF	5322 121 42492
C 4835	-20+50% 10NF	4822 122 31414	C 7008	10% 680PF	4822 122 30053
C 4836	-20+50% 10NF	4822 122 31414	C 7009	63V 10% 100NF	5322 121 42492
C 4837	-10+50% 47UF	4822 124 20699	C 7011	-20+50% 10NF	4822 122 31414
C 4839	2% 12PF	4822 122 31056	C 7012	-20+50% 10NF	4822 122 31414
C 4888	-10+50% 47UF	4822 124 20699	C 7013	-20+50% 10NF	4822 122 31414
C 4889	-10+50% 47UF	4822 124 20699	C 7017	-20+50% 10NF	4822 122 31414
C 4891	-20+50% 10NF	4822 122 31414	C 7018	-20+50% 10NF	4822 122 31414
C 4893	-20+50% 10NF	4822 122 31414	C 7019	-20+50% 10NF	4822 122 31414
C 4895	-20+50% 10NF	4822 122 31414	C 7021	63V 10% 100NF	5322 121 42492
C 4897	-20+50% 10NF	4822 122 31414	C 7100	-20+50% 10NF	5322 122 31414
C 4898	-20+50% 10NF	4822 122 31414	C 7101	-20+50% 10NF	4822 122 31414
C 4899	-20+50% 10NF	4822 122 31414	C 7102	-20+50% 10NF	4822 122 31414
C 5001	-20+50% 10NF	4822 122 31414	C 7103	-20+50% 10NF	4822 122 31414
C 5002	-20+50% 10NF	4822 122 31414	C 7104	-10+50% 220UF	4822 124 20681
C 5003	-20+50% 10NF	4822 122 31414	C 7106	-10+50% 220UF	4822 124 20681
C 5004	-20+50% 10NF	4822 122 31414	C 9001	-20+20% 10UF	5322 124 21956
C 5006	-20+50% 10NF	4822 122 31414	C 9004	-20+20% 10UF	5322 124 21956
C 6001	250V 10% 220NF	5322 121 44142	C 9005	-20+20% 10UF	5322 124 21956
C 6002	ME275 20% 1NF	5322 121 42583	C 9008	-20+20% 10UF	5322 124 21956
C 6003	63V 10% 100NF	5322 121 42492	C 9009	-20+20% 10UF	5322 124 21956
C 6004	63V 10% 100NF	5322 121 42492	C 9010	-20+20% 10UF	5322 124 21956
C 6005	-20+50% 1.5NF	5322 122 50092	C 9011	2% 100PF	4822 122 31316
C 6006	ME275 20% 1NF	5322 121 42583	C 9012	2% 100PF	4822 122 31316
C 6007	-10+50% 68UF	5322 124 22796	C 9013	2% 100PF	4822 122 31316
C 6008	-10+50% 68UF	5322 124 22796	C 9014	2% 100PF	4822 122 31316
C 6009	100V 10% 47NF	5322 121 42491	C 9015	2% 47PF	4822 122 31072
C 6011	-10+50% 33UF	4822 124 20712	C 9016	2% 100PF	4822 122 31316
C 6012	2% 220PF	4822 122 30094	C 9017	2% 100PF	4822 122 31316
C 6013	10% 4.7NF	4822 122 31125	C 9018	2% 100PF	4822 122 31316
C 6014	160V 1% 33NF	5322 121 50997	C 9019	63V 10% 220NF	4822 121 42408
C 6017	2KV 5% 1.5NF	5322 121 43243	C 9020	10% 2.2NF	4822 122 30114
C 6018	10% 4.7NF	4822 122 31125	C 9021	-20+20% 33UF	5322 124 21957
C 6031	100V 10% 10NF	4822 121 41857	C 9022	-20+80% 22NF	4822 122 30103
C 6032	63V 10% 220NF	4822 121 42408	C 9023	-20+80% 22NF	4822 122 30103
C 6033	100V 10% 10NF	4822 121 41857	C 9024	-20+80% 22NF	4822 122 30103
C 6041	63V 10% 100NF	5322 121 42492	C 9025	-20+80% 22NF	4822 122 30103
C 6042	63V 10% 100NF	5322 121 42492	C 9026	-20+80% 22NF	4822 122 30103
C 6100	-20+20% 6800UF	4822 124 40692	C 9027	-20+80% 22NF	4822 122 30103
C 6101	-20+20% 6800UF	4822 124 40692	C 9028	-20+80% 22NF	4822 122 30103
C 6102	-10+50% 680UF	4822 124 20685	C 9029	-20+80% 22NF	4822 122 30103
C 6103	-10+50% 680UF	4822 124 20685	C 9030	-20+80% 22NF	4822 122 30103
C 6104	-10+50% 220UF	4822 124 20681	C 9031	-20+80% 22NF	4822 122 30103
C 6106	-10+50% 470UF	4822 124 20695	C 9032	-20+80% 22NF	4822 122 30103
C 6107	-10+50% 150UF	4822 124 20691	C 9033	-20+80% 22NF	4822 122 30103
C 6108	-10+50% 470UF	4822 124 20695	C 9034	-20+80% 22NF	4822 122 30103
C 6109	-10+50% 150UF	4822 124 20691	C 9035	-20+80% 22NF	4822 122 30103
C 6111	-10+50% 220UF	4822 124 20704	C 9036	-20+80% 22NF	4822 122 30103
C 6112	-10+50% 100UF	4822 124 20701	C 9037	-20+80% 22NF	4822 122 30103
C 6113	-10+50% 100UF	4822 124 20701	C 9038	-20+80% 22NF	4822 122 30103
C 6114	-10+50% 100UF	4822 124 20701	C 9039	-20+80% 22NF	4822 122 30103
C 6116	-10+50% 68UF	4822 124 20734	C 9040	2% 47PF	4822 122 31072
C 6117	-10+50% 22UF	4822 124 20731	C 9041	-20+20% 15UF	5322 124 21958
C 6119	-10+50% 22UF	4822 124 20731	C 9042	-20+20% 15UF	5322 124 21958
C 6120	-20+50% 10NF	4822 122 31414	C 9043	-20+80% 22NF	4822 122 30103
C 6121	-10+50% 22UF	4822 124 20731	C 9044	-20+80% 22NF	4822 122 30103
C 6122	630V 1% 680PF	5322 121 51214	C 9045	2% 10PF	4822 122 32185
C 6131	63V 10% 470NF	5322 121 42979	C 9046	-20+80% 22NF	4822 122 30103
C 6132	-10+50% 100UF	4822 124 20679	C 9047	-20+80% 22NF	4822 122 30103
C 6133	63V 10% 100NF	5322 121 42492	C 9048	10% 2.2NF	4822 122 30114
C 6134	10% 1NF	4822 122 30027	C 9049	2% 47PF	4822 122 31072

POSNR	DESCRIPTION	ORDERING CODE	POSNR	DESCRIPTION	ORDERING CODE
C 9051	2% 56PF	4822 122 32027	R 0654	MRS25 1% 422E	5322 116 53592
C 9052	-20+80% 22NF	4822 122 30103	R 0656	MRS25 1% 422E	5322 116 53592
C 9053	-20+80% 22NF	4822 122 30103	R 0657	MRS25 1% 16K2	5322 116 53589
C 9054	-20+80% 22NF	4822 122 30103	R 0658	MRS25 1% 51K1	4822 116 53121
C 9055	2% 10PF	4822 122 32185	R 0659	MRS25 1% 5K62	5322 116 53495
C 9056	-20+80% 22NF	4822 122 30103	R 0661	MRS25 1% 1K78	5322 116 53208
C 9057	63V 10% 680NF	5322 121 42498	R 0662	MRS25 1% 6K81	5322 116 53252
C 9072	10% 1.5NF	4822 122 31169	R 0663	MRS25 1% 51K1	4822 116 53121
C 9073	10% 1.5NF	4822 122 31169	R 0666	MRS25 1% 51E1	5322 116 53213
C 9074	0.25PF 8.2PF	4822 122 31194	R 0669	MRS25 1% 1K62	5322 116 53257
C 9075	100V 10% 10NF	4822 121 41857	R 0671	MRS25 1% 1K62	5322 116 53257
C 9076	63V 10% 100NF	5322 121 42492	R 0681	MRS25 1% 5E11	4822 116 52989
C 9101	-20+80% 22NF	4822 122 30103	R 0682	MRS25 1% 5E11	4822 116 52999
C 9102	2% 330PF	4822 122 31353	R 1001	MRS25 1% 1K	4822 116 53108
C 9103	2% 220PF	4822 122 30094	R 1002	MRS25 1% 42E2	5322 116 53515
C 9104	2% 330PF	4822 122 31353	R 1003	MRS25 1% 61E9	5322 116 53645
C 9106	2% 220PF	4822 122 30094	R 1004	1/4W .25% 10K1	5322 116 53404
C 9107	2% 12PF	4822 122 31196	R 1006	MRS25 1% 121E	4822 116 52955
C 9108	-20+80% 22NF	4822 122 30103	R 1007	0.4W 0.25% 900K	5322 116 53414
C 9111	2% 330PF	4822 122 31353	R 1008	MRS25 1% 10K	4822 116 53022
C 9112	2% 220PF	4822 122 30094	R 1009	MRS25 1% 21K5	5322 116 53241
C 9114	-20+80% 22NF	4822 122 30103	R 1011	1/4W .25% 111K	5322 116 53409
C 9115	-20+20% 15UF	5322 124 21958	R 1012	0.4W 0.25% 750K	5322 116 53588
C 9116	-20+20% 33UF	5322 124 21957	R 1013	1/4W .25% 1M	5322 116 53398
C 9117	-20+20% 15UF	5322 124 21958	R 1014	MRS25 1% 10K	4822 116 53022
C 9118	2% 100PF	4822 122 31316	R 1016	MRS25 1% 21K5	5322 116 53241
C 9119	2% 100PF	4822 122 31316	R 1017	1/4W .25% 250K	5322 116 53587
C 9121	2% 100PF	4822 122 31316	R 1018	MRS25 1% 10E	4822 116 52891
C 9122	2% 100PF	4822 122 31316	R 1019	0.4W 0.25% 990K	5322 116 53415
C 9123	2% 100PF	4822 122 31316	R 1022	MRS25 1% 56E2	5322 116 53644
C 9124	2% 100PF	4822 122 31316	R 1023	VR25 10% 22M	5322 116 51785
C 9172	10% 1.5NF	4822 122 31169	R 1024	MRS25 1% 10E	4822 116 52891
C 9173	10% 1.5NF	4822 122 31169	R 1026	MRS25 1% 61E9	5322 116 53645
C 9174	0.25PF 8.2PF	4822 122 31194	R 1027	VR25 10% 22M	5322 116 51785
C 9175	100V 10% 10NF	4822 121 41857	R 1028	MRS25 1% 10E	4822 116 52891
C 9176	63V 10% 100NF	5322 121 42492	R 1029	1/4W .25% 1M	5322 116 53398
C 9201	2% 22PF	5322 122 32143	R 1031	VR25 10% 22M	5322 116 51785
C 9202	2% 22PF	5322 122 32143	R 1032	MRS25 1% 10E	4822 116 52891
			R 1033	VR25 10% 22M	5322 116 51785
			R 1034	MRS25 1% 1M	4822 116 52843
			R 1035	MRS25 1% 100E	5322 116 53126
			R 1036	0.3W 25% 22K	5322 105 20035
			R 1037	MRS25 1% 100K	4822 116 52973
			R 1038	VR25 10% 22M	5322 116 51785
			R 1039	MRS25 1% 1K96	5322 116 53237
			R 1040	MRS25 1% 287E	5322 116 53221
			R 1041	MRS25 1% 1K96	5322 116 53237
			R 1043	MRS25 1% 100E	5322 116 53126
			R 1044	MRS25 1% 825E	5322 116 53541
			R 1045	MRS25 1% 100E	5322 116 53126
			R 1046	MRS25 1% 511E	5322 116 53135
			R 1047	MRS25 1% 2K15	5322 116 53239
			R 1048	MRS25 1% 5K11	5322 116 53494
			R 1049	MRS25 1% 1K47	5322 116 53185
			R 1050	MRS25 1% 100E	5322 116 53126
			R 1051	MRS25 1% 681E	4822 116 53123
			R 1052	MRS25 1% 1K78	5322 116 53208
			R 1053	1/4W .25% 250E	5322 116 53406
			R 1054	MRS25 1% 100E	5322 116 53126
			R 1055	MRS25 1% 1K78	5322 116 53208
			R 1056	1/4W .25% 375E	5322 116 53407
			R 1057	1/4W .25% 150E	5322 116 53399
			R 1058	1/4W .25% 150E	5322 116 53399
			R 1061	MRS25 1% 110E	4822 116 52906
			R 1062	MRS25 1% 10E	4822 116 52891
			R 1063	MRS25 1% 26K1	5322 116 53261
			R 1064	0.3W 25% 10K	4822 105 10455
			R 1066	MRS25 1% 16K2	5322 116 53589
			R 1067	MRS25 1% 12K1	4822 116 52957
			R 1068	MRS25 1% 100E	5322 116 53126
			R 1069	0.3W 25% 100E	5322 105 20029
			R 1071	MRS25 1% 26K1	5322 116 53261
			R 1072	0.3W 25% 10K	4822 105 10455
			R 1073	MRS25 1% 2K61	5322 116 53327
			R 1074	MRS25 1% 1K62	5322 116 53257
			R 1076	0.3W 25% 100E	5322 105 20029
			R 1077	MRS25 1% 10E	4822 116 52891
			R 1078	MRS25 1% 12K1	4822 116 52957
			R 1079	MRS25 1% 1K62	5322 116 53257
			R 1081	MRS25 1% 511E	5322 116 53135
			R 1082	MRS25 1% 100K	4822 116 52973
			R 1083	MRS25 1% 11K	4822 116 52907
			R 1084	MRS25 1% 82K5	5322 116 53581
			R 1086	MRS25 1% 12K1	4822 116 52957
			R 1087	MRS25 1% 1M	4822 116 52843
			R 1088	MRS25 1% 100E	5322 116 53126
			R 1089	MRS25 1% 422E	5322 116 53592
			R 1091	0.3W 25% 100E	5322 105 20029
			R 1092	MRS25 1% 10E	4822 116 52891
			R 1093	MRS25 1% 422E	5322 116 53592

18.3.2 RESISTORS

POSNR	DESCRIPTION	ORDERING CODE	POSNR	DESCRIPTION	ORDERING CODE
R 0600	MRS25 1% 100K	4822 116 52973	R 1040	MRS25 1% 287E	5322 116 53221
R 0601	MRS25 1% 10K	4822 116 53022	R 1041	MRS25 1% 1K96	5322 116 53237
R 0602	MRS25 1% 5K62	5322 116 53495	R 1043	MRS25 1% 100E	5322 116 53126
R 0603	MRS25 1% 10K	4822 116 53022	R 1044	MRS25 1% 825E	5322 116 53541
R 0604	MRS25 1% 10K	4822 116 53022	R 1045	MRS25 1% 100E	5322 116 53126
R 0605	MRS25 1% 100K	4822 116 52973	R 1046	MRS25 1% 511E	5322 116 53135
R 0606	MRS25 1% 16K2	5322 116 53589	R 1047	MRS25 1% 2K15	5322 116 53239
R 0607	MRS25 1% 2K15	5322 116 53239	R 1048	MRS25 1% 5K11	5322 116 53494
R 0608	MRS25 1% 2K15	5322 116 53239	R 1049	MRS25 1% 1K47	5322 116 53185
R 0609	MRS25 1% 2K15	5322 116 53239	R 1050	MRS25 1% 100E	5322 116 53126
R 0610	MRS25 1% 10K	4822 116 53022	R 1051	MRS25 1% 681E	4822 116 53123
R 0611	MRS25 1% 2K15	5322 116 53239	R 1052	MRS25 1% 1K78	5322 116 53208
R 0612	MRS25 1% 422E	5322 116 53592	R 1053	1/4W .25% 250E	5322 116 53406
R 0613	MRS25 1% 422E	5322 116 53592	R 1054	MRS25 1% 100E	5322 116 53126
R 0614	MRS25 1% 10K	4822 116 53022	R 1055	MRS25 1% 1K78	5322 116 53208
R 0616	MRS25 1% 75E	5322 116 53339	R 1056	1/4W .25% 375E	5322 116 53407
R 0617	MRS25 1% 75E	5322 116 53339	R 1057	1/4W .25% 150E	5322 116 53399
R 0618	MRS25 1% 10K	4822 116 53022	R 1058	1/4W .25% 150E	5322 116 53399
R 0619	MRS25 1% 2K15	5322 116 53239	R 1061	MRS25 1% 110E	4822 116 52906
R 0621	MRS25 1% 51E1	5322 116 53213	R 1062	MRS25 1% 10E	4822 116 52891
R 0622	MRS25 1% 1K62	5322 116 53257	R 1063	MRS25 1% 26K1	5322 116 53261
R 0623	MRS25 1% 1K62	5322 116 53257	R 1064	0.3W 25% 10K	4822 105 10455
R 0624	MRS25 1% 178K	5322 116 53555	R 1066	MRS25 1% 16K2	5322 116 53589
R 0626	MRS25 1% 26K1	5322 116 53261	R 1067	MRS25 1% 12K1	4822 116 52957
R 0627	MRS25 1% 178K	5322 116 53555	R 1068	MRS25 1% 100E	5322 116 53126
R 0628	MRS25 1% 1M	4822 116 52843	R 1069	0.3W 25% 100E	5322 105 20029
R 0629	MRS25 1% 2K15	5322 116 53239	R 1071	MRS25 1% 26K1	5322 116 53261
R 0631	MRS25 1% 12K1	4822 116 52957	R 1072	0.3W 25% 10K	4822 105 10455
R 0633	MRS25 1% 1M	4822 116 52843	R 1073	MRS25 1% 2K61	5322 116 53327
R 0634	MRS25 1% 2K15	5322 116 53239	R 1074	MRS25 1% 1K62	5322 116 53257
R 0636	MRS25 1% 51K1	4822 116 53121	R 1076	0.3W 25% 100E	5322 105 20029
R 0637	MRS25 1% 16K2	5322 116 53589	R 1077	MRS25 1% 10E	4822 116 52891
R 0638	MRS25 1% 511E	5322 116 53135	R 1078	MRS25 1% 12K1	4822 116 52957
R 0639	MRS25 1% 511E	5322 116 53135	R 1079	MRS25 1% 1K62	5322 116 53257
R 0641	MRS25 1% 12K1	4822 116 52957	R 1081	MRS25 1% 511E	5322 116 53135
R 0642	MRS25 1% 422E	5322 116 53592	R 1082	MRS25 1% 100K	4822 116 52973
R 0643	MRS25 1% 422E	5322 116 53592	R 1083	MRS25 1% 11K	4822 116 52907
R 0644	MRS25 1% 16K2	5322 116 53589	R 1084	MRS25 1% 82K5	5322 116 53581
R 0646	MRS25 1% 5K62	5322 116 53495	R 1086	MRS25 1% 12K1	4822 116 52957
R 0647	MRS25 1% 1K78	5322 116 53208	R 1087	MRS25 1% 1M	4822 116 52843
R 0648	MRS25 1% 6K81	5322 116 53252	R 1088	MRS25 1% 100E	5322 116 53126
R 0649	MRS25 1% 51K1	4822 116 53121	R 1089	MRS25 1% 422E	5322 116 53592
R 0651	MRS25 1% 16K2	5322 116 53589	R 1091	0.3W 25% 100E	5322 105 20029
R 0652	MRS25 1% 511E	5322 116 53135	R 1092	MRS25 1% 10E	4822 116 52891
R 0653	MRS25 1% 511E	5322 116 53135	R 1093	MRS25 1% 422E	5322 116 53592

POSNR	DESCRIPTION	ORDERING CODE	POSNR	DESCRIPTION	ORDERING CODE
R 1094	MRS25 1% 100E	5322 116 53126	R 1204	VR25 10% 22M	5322 116 51785
R 1096	MRS25 1% 100E	5322 116 53126	R 1206	MRS25 1% 1K96	5322 116 53237
R 1097	MRS25 1% 100E	5322 116 53126	R 1207	MRS25 1% 100E	5322 116 53126
R 1098	MRS25 1% 1K21	4822 116 52956	R 1208	MRS25 1% 825E	5322 116 53541
R 1099	MRS25 1% 1K21	4822 116 52956	R 1209	MRS25 1% 1M	4822 116 52843
R 1101	MRS25 1% 1K	4822 116 53108	R 1211	MRS25 1% 100E	5322 116 53126
R 1102	MRS25 1% 42E2	5322 116 53515	R 1213	MRS25 1% 1M	4822 116 52843
R 1103	MRS25 1% 61E9	5322 116 53645	R 1217	0.3W 25% 22K	5322 105 20035
R 1104	1/4W .25% 10K1	5322 116 53404	R 1218	MRS25 1% 100K	4822 116 52973
R 1106	MRS25 1% 121E	4822 116 52955	R 1219	MRS25 1% 1K47	5322 116 53185
R 1107	0.4W 0.25% 900K	5322 116 53414	R 1221	MRS25 1% 681E	4822 116 53123
R 1108	MRS25 1% 10K	4822 116 53022	R 1222	MRS25 1% 2K87	5322 116 53513
R 1109	MRS25 1% 21K5	5322 116 53241	R 1223	MRS25 1% 1K33	5322 116 53512
R 1111	1/4W .25% 111K	5322 116 53409	R 1224	MRS25 1% 1K	4822 116 53108
R 1112	0.4W 0.25% 750K	5322 116 53588	R 1226	MRS25 1% 5K11	5322 116 53494
R 1113	1/4W .25% 1M	5322 116 53398	R 1227	MRS25 1% 1K33	5322 116 53512
R 1114	MRS25 1% 10K	4822 116 53022	R 1228	MRS25 1% 100E	5322 116 53126
R 1116	MRS25 1% 21K5	5322 116 53241	R 1229	MRS25 1% 750E	5322 116 53265
R 1117	1/4W .25% 250K	5322 116 53587	R 1231	MRS25 1% 750E	5322 116 53265
R 1118	MRS25 1% 10E	4822 116 52891	R 1232	MRS25 1% 82E5	5322 116 53538
R 1119	0.4W 0.25% 990K	5322 116 53415	R 1233	MRS25 1% 348E	5322 116 53591
R 1122	MRS25 1% 56E2	5322 116 53644	R 1234	MRS25 1% 100E	5322 116 53126
R 1123	VR25 10% 22M	5322 116 51785	R 1236	MRS25 1% 162E	5322 116 53523
R 1124	MRS25 1% 10E	4822 116 52891	R 1237	MRS25 1% 2K61	5322 116 53327
R 1126	MRS25 1% 61E9	5322 116 53645	R 1238	MRS25 1% 100E	5322 116 53126
R 1127	VR25 10% 22M	5322 116 51785	R 1239	MRS25 1% 7K5	4822 116 53028
R 1128	MRS25 1% 10E	4822 116 52891	R 1401	MRS25 1% 5E11	4822 116 52999
R 1129	1/4W .25% 1M	5322 116 53398	R 1402	MRS25 1% 31E6	5322 116 54964
R 1131	VR25 10% 22M	5322 116 51785	R 1403	MRS25 1% 5E11	4822 116 52999
R 1132	MRS25 1% 10E	4822 116 52891	R 1404	MRS25 1% 5E11	4822 116 52999
R 1133	VR25 10% 22M	5322 116 51785	R 1421	MRS25 1% 5E11	4822 116 52999
R 1134	MRS25 1% 1M	4822 116 52843	R 1422	MRS25 1% 31E6	5322 116 54964
R 1135	MRS25 1% 100E	5322 116 53126	R 1423	MRS25 1% 5E11	4822 116 52999
R 1136	0.3W 25% 22K	5322 105 20035	R 1424	MRS25 1% 5E11	4822 116 52999
R 1137	MRS25 1% 100K	4822 116 52973	R 1441	MRS25 1% 100E	5322 116 53126
R 1138	VR25 10% 22M	5322 116 51785	R 1442	MRS25 1% 5E11	4822 116 52999
R 1139	MRS25 1% 1K96	5322 116 53237	R 1443	MRS25 1% 5E11	4822 116 52999
R 1140	MRS25 1% 287E	5322 116 53221	R 2001	MRS25 1% 10E	4822 116 52891
R 1141	MRS25 1% 1K96	5322 116 53237	R 2002	MRS25 1% 10E	4822 116 52891
R 1143	MRS25 1% 100E	5322 116 53126	R 2003	MRS25 1% 51E1	5322 116 53213
R 1144	MRS25 1% 825E	5322 116 53541	R 2004	MRS25 1% 51E1	5322 116 53213
R 1145	MRS25 1% 100E	5322 116 53126	R 2101	MRS25 1% 10E	4822 116 52891
R 1146	MRS25 1% 511E	5322 116 53135	R 2102	MRS25 1% 10E	4822 116 52891
R 1147	MRS25 1% 2K15	5322 116 53239	R 2201	MRS25 1% 75K	5322 116 53266
R 1148	MRS25 1% 5K11	5322 116 53494	R 2202	MRS25 1% 12K1	4822 116 52957
R 1149	MRS25 1% 1K47	5322 116 53185	R 2203	MRS25 1% 215K	5322 116 53425
R 1150	MRS25 1% 100E	5322 116 53126	R 2204	MRS25 1% 10K	4822 116 53022
R 1151	MRS25 1% 681E	4822 116 53123	R 2205	MRS25 1% 2K15	5322 116 53239
R 1152	MRS25 1% 1K78	5322 116 53208	R 2206	MRS25 1% 75K	5322 116 53266
R 1153	1/4W .25% 250E	5322 116 53406	R 2207	MRS25 1% 12K1	4822 116 52957
R 1154	MRS25 1% 100E	5322 116 53126	R 2208	MRS25 1% 215K	5322 116 53425
R 1155	MRS25 1% 1K78	5322 116 53208	R 2209	MRS25 1% 10K	4822 116 53022
R 1156	1/4W .25% 375E	5322 116 53407	R 2210	MRS25 1% 2K15	5322 116 53239
R 1157	1/4W .25% 150E	5322 116 53399	R 2211	MRS25 1% 5K62	5322 116 53495
R 1158	1/4W .25% 150E	5322 116 53399	R 2212	0.3W 25% 10K	4822 105 10455
R 1161	MRS25 1% 110E	4822 116 52906	R 2213	MRS25 1% 23K7	5322 116 53537
R 1162	MRS25 1% 10E	4822 116 52891	R 2214	MRS25 1% 10K	4822 116 53022
R 1163	MRS25 1% 26K1	5322 116 53261	R 2215	MRS25 1% 2K15	5322 116 53239
R 1164	0.3W 25% 10K	4822 105 10455	R 2216	MRS25 1% 5K62	5322 116 53495
R 1166	MRS25 1% 16K2	5322 116 53589	R 2222	MRS25 1% 1K96	5322 116 53237
R 1167	MRS25 1% 12K1	4822 116 52957	R 2225	MRS25 1% 23K7	5322 116 53537
R 1168	MRS25 1% 100E	5322 116 53126	R 2230	MRS25 1% 147E	5322 116 53569
R 1169	0.3W 25% 100E	5322 105 20029	R 2231	MRS25 1% 42E2	5322 116 53592
R 1171	MRS25 1% 26K1	5322 116 53261	R 2232	MRS25 1% 383E	5322 116 53332
R 1172	0.3W 25% 10K	4822 105 10455	R 2234	MRS25 1% 42E2	5322 116 53515
R 1173	MRS25 1% 2K61	5322 116 53327	R 2236	MRS25 1% 681E	4822 116 53123
R 1174	MRS25 1% 1K62	5322 116 53257	R 2237	MRS25 1% 383E	5322 116 53332
R 1176	0.3W 25% 100E	5322 105 20029	R 2239	MRS25 1% 348E	5322 116 53591
R 1177	MRS25 1% 10E	4822 116 52891	R 2241	MRS25 1% 1K	4822 116 53108
R 1178	MRS25 1% 12K1	4822 116 52957	R 2242	MRS25 1% 383E	5322 116 53332
R 1179	MRS25 1% 1K62	5322 116 53257	R 2243	MRS25 1% 681E	4822 116 53123
R 1181	MRS25 1% 511E	5322 116 53135	R 2244	MRS25 1% 42E2	5322 116 53515
R 1182	MRS25 1% 100K	4822 116 52973	R 2246	MRS25 1% 42E2	5322 116 53592
R 1183	MRS25 1% 11K	4822 116 52907	R 2247	MRS25 1% 383E	5322 116 53332
R 1184	MRS25 1% 82K5	5322 116 53581	R 2251	MRS25 1% 75E	5322 116 53339
R 1186	MRS25 1% 12K1	4822 116 52957	R 2252	MRS25 1% 750E	5322 116 53265
R 1187	MRS25 1% 1M	4822 116 52843	R 2253	MRS25 1% 750E	5322 116 53265
R 1188	MRS25 1% 100E	5322 116 53126	R 2254	MRS25 1% 75E	5322 116 53339
R 1189	MRS25 1% 42E2	5322 116 53592	R 2255	MRS25 1% 287E	5322 116 53221
R 1191	0.3W 25% 100E	5322 105 20029	R 2301	MRS25 1% 19K6	5322 116 53258
R 1192	MRS25 1% 10E	4822 116 52891	R 2302	MRS25 1% 19K6	5322 116 53258
R 1193	MRS25 1% 42E2	5322 116 53592	R 2303	MRS25 1% 5K62	5322 116 53495
R 1194	MRS25 1% 100E	5322 116 53126	R 2304	MRS25 1% 5K62	5322 116 53495
R 1196	MRS25 1% 100E	5322 116 53126	R 2311	MRS25 1% 2K87	5322 116 53513
R 1197	MRS25 1% 100E	5322 116 53126	R 2315	MRS25 1% 100E	5322 116 53126
R 1198	MRS25 1% 1K21	4822 116 52956	R 2316	MRS25 1% 100E	5322 116 53126
R 1199	MRS25 1% 1K21	4822 116 52956	R 2317	MRS25 1% 1K	4822 116 53108
R 1201	MRS25 1% 1K	4822 116 53108	R 2318	MRS25 1% 1K	4822 116 53108
R 1202	MRS25 1% 68E1	5322 116 53264	R 2319	MRS25 1% 5E11	4822 116 52999
R 1203	0.4W 0.1% 1M	5322 116 51605	R 2324	MRS25 1% 5K62	5322 116 53495

POSNR	DESCRIPTION	ORDERING	CODE	POSNR	DESCRIPTION	ORDERING	CODE
R 2325	MRS25 1% 5K62	5322	116 53495	R 2628	MRS25 1% 2K37	5322	116 53536
R 2326	MRS25 1% 2K87	5322	116 53513	R 2629	MRS25 1% 10K	4822	116 53022
R 2327	MRS25 1% 3K83	4822	116 53079	R 2631	MRS25 1% 10K	4822	116 53022
R 2328	MRS25 1% 2K87	5322	116 53513	R 2632	MRS25 1% 383E	5322	116 53332
R 2329	MRS25 1% 825E	5322	116 53541	R 2635	MRS25 1% 10K	4822	116 53022
R 2330	0.3W 25% 10K	4822	105 10455	R 2701	MRS25 1% 1E	4822	116 52976
R 2333	MRS25 1% 5K62	5322	116 53495	R 2702	MRS25 1% 26E1	5322	116 53723
R 2334	MRS25 1% 5K62	5322	116 53495	R 2704	MRS25 1% 5E11	4822	116 52999
R 2335	MRS25 1% 10K	4822	116 53022	R 2712	MRS25 1% 5E11	4822	116 52999
R 2336	MRS25 1% 21E5	5322	116 53426	R 2713	MRS25 1% 5E11	4822	116 52999
R 2337	MRS25 1% 162E	5322	116 53523	R 2714	MRS25 1% 5E11	4822	116 52999
R 2338	MRS25 1% 2K61	5322	116 53327	R 2721	MRS25 1% 5E11	4822	116 52999
R 2339	MRS25 1% 237E	5322	116 53259	R 2722	MRS25 1% 1E	4822	116 52976
R 2341	MRS25 1% 21E5	5322	116 53426	R 2723	MRS25 1% 5E11	4822	116 52999
R 2342	MRS25 1% 162E	5322	116 53523	R 2724	MRS25 1% 5E11	4822	116 52999
R 2344	MRS25 1% 511E	5322	116 53135	R 2740	MRS25 1% 5E11	4822	116 52999
R 2345	MRS25 1% 100E	5322	116 53126	R 2741	MRS25 1% 31E6	5322	116 54964
R 2346	MRS25 1% 681E	4822	116 53123	R 2742	MRS25 1% 5E11	4822	116 52999
R 2348	MRS25 1% 8K25	5322	116 53267	R 3001	MRS25 1% 147E	5322	116 53569
R 2350	MRS25 1% 4K22	5322	116 53246	R 3002	MRS25 1% 316E	5322	116 53514
R 2351	MRS25 1% 562E	5322	116 53214	R 3003	MRS25 1% 1K47	5322	116 53185
R 2352	MRS25 1% 825E	5322	116 53541	R 3004	MRS25 1% 422E	5322	116 53592
R 2357	MRS25 1% 681E	4822	116 53123	R 3006	MRS25 1% 2K37	5322	116 53536
R 2358	MRS25 1% 511E	5322	116 53135	R 3007	0.3W 25% 2K2	5322	105 20033
R 2360	MRS25 1% 100E	5322	116 53126	R 3008	MRS25 1% 121E	4822	116 52955
R 2361	MRS25 1% 4K22	5322	116 53246	R 3009	MRS25 1% 3K83	4822	116 53079
R 2365	MRS25 1% 23K7	5322	116 53537	R 3011	MRS25 1% 121E	4822	116 52955
R 2366	MRS25 1% 10K	4822	116 53022	R 3012	MRS25 1% 316E	5322	116 53514
R 2367	MRS25 1% 16K2	5322	116 53589	R 3013	0.3W 25% 10K	4822	105 10455
R 2369	MRS25 1% 68K1	5322	116 53338	R 3014	MRS25 1% 2K87	5322	116 53513
R 2371	MRS25 1% 422E	5322	116 53592	R 3015	MRS25 1% 316E	5322	116 53514
R 2372	MRS25 1% 511E	5322	116 53135	R 3016	MRS25 1% 2K37	5322	116 53536
R 2373	MRS25 1% 75K	5322	116 53266	R 3017	0.3W 25% 22K	5322	105 20035
R 2374	MRS25 1% 511E	5322	116 53135	R 3018	MRS25 1% 8K25	5322	116 53267
R 2375	MRS25 1% 23K7	5322	116 53537	R 3020	MRS25 1% 10E	4822	116 52891
R 2376	VR25 10% 22M	5322	116 51785	R 3021	MRS25 1% 464E	5322	116 53232
R 2377	VR25 10% 22M	5322	116 51785	R 3022	MRS25 1% 750E	5322	116 53265
R 2378	VR25 10% 22M	5322	116 51785	R 3023	MRS25 1% 348E	5322	116 53591
R 2379	VR25 10% 22M	5322	116 51785	R 3024	MRS25 1% 750E	5322	116 53265
R 2380	MRS25 1% 750E	5322	116 53265	R 3025	MRS25 1% 10E	4822	116 52891
R 2381	MRS25 1% 2K61	5322	116 53327	R 3026	MRS25 1% 464E	5322	116 53232
R 2382	MRS25 1% 2K61	5322	116 53327	R 3027	MRS25 1% 42E2	5322	116 53515
R 2383	MRS25 1% 1K	4822	116 53108	R 3028	MRS25 1% 42E2	5322	116 53515
R 2384	MRS25 1% 750E	5322	116 53265	R 3029	MRS25 1% 3K1E	4822	116 53021
R 2386	MRS25 1% 1K	4822	116 53108	R 3031	MRS25 1% 402E	5322	116 53639
R 2387	MRS25 1% 750E	5322	116 53265	R 3032	MRS25 1% 316E	5322	116 54964
R 2388	MRS25 1% 1K	4822	116 53108	R 3033	MRS25 1% 100E	5322	116 53126
R 2389	MRS25 1% 1K	4822	116 53108	R 3034	MRS25 1% 162E	5322	116 53523
R 2391	MRS25 1% 42E2	5322	116 53515	R 3036	0.3W 25% 100E	5322	105 20029
R 2393	MRS25 1% 3K48	4822	116 53315	R 3037	MRS25 1% 100E	5322	116 53126
R 2394	MRS25 1% 100E	5322	116 53126	R 3038	0.3W 25% 470E	5322	105 20028
R 2395	0.3W 25% 220E	5322	105 20031	R 3039	MRS25 1% 42E2	5322	116 53515
R 2396	MRS25 1% 3K48	4822	116 53315	R 3041	MRS25 1% 316E	5322	116 53514
R 2397	MRS25 1% 42E2	5322	116 53515	R 3042	MRS25 1% 110E	4822	116 52906
R 2403	MRS25 1% 42E2	5322	116 53515	R 3043	MRS25 1% 110E	4822	116 52906
R 2404	MRS25 1% 1K33	5322	116 53512	R 3044	MRS25 1% 110E	4822	116 52906
R 2406	MRS25 1% 1K62	5322	116 53257	R 3046	MRS25 1% 110E	4822	116 52906
R 2407	0.3W 25% 220E	5322	105 20031	R 3047	MRS25 1% 42E2	5322	116 53515
R 2408	MRS25 1% 1K33	5322	116 53512	R 3048	MRS25 1% 42E2	5322	116 53515
R 2409	MRS25 1% 1K62	5322	116 53257	R 3049	MRS25 1% 51K1	4822	116 53121
R 2410	0.3W 25% 1K	5322	105 20032	R 3050	MRS25 1% 42E2	5322	116 53515
R 2411	MRS25 1% 42E2	5322	116 53515	R 3051	MRS25 1% 51K1	4822	116 53121
R 2412	MRS25 1% 1K33	5322	116 53512	R 3052	MRS25 1% 42E2	5322	116 53515
R 2416	MRS25 1% 1K	4822	116 53108	R 3060	MRS25 1% 110E	4822	116 52906
R 2418	MRS25 1% 5K62	5322	116 53495	R 3061	MRS25 1% 110E	4822	116 52906
R 2419	MRS25 1% 1K1	5322	116 53473	R 3062	MRS25 1% 110E	4822	116 52906
R 2420	MRS25 1% 133E	5322	116 53424	R 3063	MRS25 1% 110E	4822	116 52906
R 2421	MRS25 1% 5K62	5322	116 53495	R 3064	MRS25 1% 110E	4822	116 52906
R 2422	MRS25 1% 1K	4822	116 53108	R 3066	MRS25 1% 110E	4822	116 52906
R 2430	MRS25 1% 100K	4822	116 52973	R 3067	MRS25 1% 110E	4822	116 52906
R 2431	MRS25 1% 100K	4822	116 52973	R 3068	MRS25 1% 110E	4822	116 52906
R 2432	MRS25 1% 100K	4822	116 52973	R 3100	MRS25 1% 42E2	5322	116 53515
R 2433	MRS25 1% 100K	4822	116 52973	R 3101	MRS25 1% 5K62	5322	116 53495
R 2434	MRS25 1% 10K	4822	116 53022	R 3102	MRS25 1% 562E	5322	116 53214
R 2435	MRS25 1% 10K	4822	116 53022	R 3103	MRS25 1% 1K21	4822	116 52956
R 2601	MRS25 1% 3K48	4822	116 53315	R 3104	MRS25 1% 6K81	5322	116 53252
R 2602	MRS25 1% 5E11	4822	116 52999	R 3106	MRS25 1% 42E2	5322	116 53515
R 2603	MRS25 1% 5K11	5322	116 53494	R 3107	MRS25 1% 2K87	5322	116 53513
R 2604	MRS25 1% 5K11	5322	116 53494	R 3108	MRS25 1% 825E	5322	116 53541
R 2605	MRS25 1% 12K1	4822	116 52957	R 3109	MRS25 1% 6K19	5322	116 53263
R 2606	MRS25 1% 1E	4822	116 52976	R 3110	MRS25 1% 42E2	5322	116 53515
R 2610	MRS25 1% 10K	4822	116 53022	R 3111	MRS25 1% 42E2	5322	116 53515
R 2611	MRS25 1% 1K	4822	116 53108	R 3112	MRS25 1% 7K5	4822	116 53028
R 2621	MRS25 1% 422E	5322	116 53592	R 3113	MRS25 1% 1K21	4822	116 52956
R 2622	MRS25 1% 681E	4822	116 53123	R 3114	MRS25 1% 5K62	5322	116 53495
R 2623	MRS25 1% 1K1	5322	116 53473	R 3115	MRS25 1% 42E2	5322	116 53515
R 2624	MRS25 1% 3K48	4822	116 53315	R 3116	MRS25 1% 562E	5322	116 53214
R 2625	MRS25 1% 681E	4822	116 53123	R 3117	MRS25 1% 4K64	5322	116 53212
R 2626	MRS25 1% 6K81	5322	116 53252	R 3118	0.3W 25% 1K	5322	105 20032
R 2627	MRS25 1% 287E	5322	116 53221	R 3119	MRS25 1% 4K64	5322	116 53212

POSNR	DESCRIPTION	ORDERING	CODE	POSNR	DESCRIPTION	ORDERING	CODE
R 3120	MRS25 1% 42E2	5322	116 53515	R 4019	MRS25 1% 51E1	5322	116 53213
R 3121	MRS25 1% 15K4	5322	116 53234	R 4021	MRS25 1% 1K47	5322	116 53185
R 3122	MRS25 1% 2K37	5322	116 53536	R 4022	MRS25 1% 511E	5322	116 53135
R 3124	MRS25 1% 619E	5322	116 53337	R 4023	MRS25 1% 562E	5322	116 53214
R 3125	MRS25 1% 26E1	5322	116 53723	R 4026	MRS25 1% 909E	4822	116 53533
R 3126	MRS25 1% 14K7	4822	116 53531	R 4027	MRS25 1% 5K62	5322	116 53495
R 3127	MRS25 1% 1K33	5322	116 53512	R 4028	MRS25 1% 1K	4822	116 53108
R 3128	MRS25 1% 825E	5322	116 53541	R 4029	MRS25 1% 2K37	5322	116 53536
R 3129	MRS25 1% 1K1	5322	116 53473	R 4031	MRS25 1% 1M	4822	116 52843
R 3130	MRS25 1% 26E1	5322	116 53723	R 4032	MRS25 1% 5K11	5322	116 53494
R 3131	MRS25 1% 1K33	5322	116 53512	R 4033	MRS25 1% 2K61	5322	116 53327
R 3132	MRS25 1% 825E	5322	116 53541	R 4041	MRS25 1% 5K11	5322	116 53494
R 3133	MRS25 1% 6K19	5322	116 53263	R 4042	MRS25 1% 3K16	4822	116 53021
R 3134	MRS25 1% 14K7	4822	116 53531	R 4043	MRS25 1% 5K11	5322	116 53494
R 3136	MRS25 1% 1K	4822	116 53108	R 4044	MRS25 1% 681K	5322	116 53593
R 3137	MRS25 1% 15K4	5322	116 53234	R 4046	MRS25 1% 10K	4822	116 53022
R 3138	MRS25 1% 2K37	5322	116 53536	R 4047	MRS25 1% 12K1	4822	116 52957
R 3139	MRS25 1% 619E	5322	116 53337	R 4086	MRS25 1% 909E	4822	116 53533
R 3141	MRS25 1% 316E	5322	116 53514	R 4101	MRS25 1% 100K	4822	116 52973
R 3142	MRS25 1% 316E	5322	116 53514	R 4102	MRS25 1% 4K64	5322	116 53212
R 3143	MRS25 1% 10E	4822	116 52891	R 4103	MRS25 1% 11K	4822	116 52907
R 3144	MRS25 1% 10E	4822	116 52891	R 4104	MRS25 1% 46K4	5322	116 53314
R 3147	0.5W 10% 3K3	5322	116 30234	R 4106	MRS25 1% 422E	5322	116 53592
R 3148	MRS25 1% 9K09	5322	116 53253	R 4107	0.3W 25% 10K	4822	105 10455
R 3149	MRS25 1% 511E	5322	116 53135	R 4108	0.3W 25% 10K	4822	105 10455
R 3200	MRS25 1% 6K81	5322	116 53252	R 4109	MRS25 1% 5K11	5322	116 53494
R 3201	MRS25 1% 1K21	4822	116 52956	R 4111	MRS25 1% 12K1	4822	116 52957
R 3202	MRS25 1% 100E	5322	116 53126	R 4117	MRS25 1% 3K16	4822	116 53021
R 3203	MRS25 1% 16K2	5322	116 53589	R 4118	1/4W .25% 50E	5322	116 53405
R 3204	MRS25 1% 562E	5322	116 53214	R 4119	1/4W .25% 50E	5322	116 53405
R 3205	MRS25 1% 4K64	5322	116 53212	R 4120	MRS25 1% 1K	4822	116 53108
R 3206	MRS25 1% 4K64	5322	116 53212	R 4121	1/4W .25% 150E	5322	116 53399
R 3207	MRS25 1% 82K5	5322	116 53581	R 4122	1/4W .25% 250E	5322	116 53406
R 3208	MRS25 1% 7K5	4822	116 53028	R 4123	1/4W .25% 500E	5322	116 53408
R 3209	MRS25 1% 1K	4822	116 53108	R 4124	1/4W .25% 1K5	5322	116 53401
R 3210	MRS25 1% 42E2	5322	116 53515	R 4125	MRS25 1% 100E	5322	116 53126
R 3211	MRS25 1% 10K	4822	116 53022	R 4126	MRS25 1% 9K09	5322	116 53253
R 3212	MRS25 1% 1K47	5322	116 53185	R 4127	MRS25 1% 1K62	5322	116 53257
R 3213	MRS25 1% 23K7	5322	116 53537	R 4128	MRS25 1% 17K8	5322	116 53235
R 3214	MRS25 1% 31K6	5322	116 53262	R 4129	MRS25 1% 1M	4822	116 52843
R 3215	MRS25 1% 4K64	5322	116 53212	R 4130	MRS25 1% 1K	4822	116 53108
R 3216	MRS25 1% 178K	5322	116 53555	R 4131	MRS25 1% 5K11	5322	116 53494
R 3217	MRS25 1% 511E	5322	116 53135	R 4132	MRS25 1% 5K11	5322	116 53494
R 3218	MRS25 1% 61K9	5322	116 53233	R 4133	MRS25 1% 3K48	4822	116 53315
R 3219	MRS25 1% 1M	4822	116 52843	R 4134	MRS25 1% 10K	4822	116 53022
R 3221	MRS25 1% 100E	5322	116 53126	R 4135	MRS25 1% 1K	4822	116 53108
R 3222	MRS25 1% 100K	4822	116 52973	R 4136	MRS25 1% 10K	4822	116 53022
R 3223	MRS25 1% 38K3	4822	116 53526	R 4137	MRS25 1% 14K7	4822	116 53531
R 3224	MRS25 1% 2K37	5322	116 53536	R 4138	MRS25 1% 5E11	4822	116 52999
R 3226	MRS25 1% 100E	5322	116 53126	R 4139	MRS25 1% 10K	4822	116 53022
R 3250	MRS25 1% 2K37	5322	116 53536	R 4140	MRS25 1% 10K	4822	116 53022
R 3251	MRS25 1% 1M	4822	116 52843	R 4141	MRS25 1% 14K7	4822	116 53531
R 3253	MRS25 1% 75K	5322	116 53266	R 4142	MRS25 1% 100E	5322	116 53126
R 3254	MRS25 1% 1K	4822	116 53108	R 4143	1/4W 0.1% 20K	5322	116 52697
R 3256	MRS25 1% 178K	5322	116 53555	R 4144	1/4W 0.1% 20E	5322	116 53413
R 3257	MRS25 1% 825K	5322	116 53341	R 4145	MRS25 1% 1K	4822	116 53108
R 3258	VR25 5% 3M3	4822	110 72201	R 4146	MRS25 1% 10K	4822	116 53022
R 3259	VR25 5% 3M3	4822	110 72201	R 4147	MRS25 1% 511E	5322	116 53135
R 3261	VR25 5% 3M3	4822	110 72201	R 4148	MRS25 1% 21K5	5322	116 53241
R 3263	VR25 5% 3M3	4822	110 72201	R 4149	MRS25 1% 31E6	5322	116 54964
R 3267	25% 47K	5322	105 20037	R 4150	MRS25 1% 9E09	5322	116 53516
R 3268	MRS25 1% 681K	5322	116 53593	R 4151	MRS25 1% 2K61	5322	116 53327
R 3269	MRS25 1% 15K4	5322	116 53234	R 4152	MRS25 1% 162E	5322	116 53523
R 3270	MRS25 1% 23K7	5322	116 53537	R 4153	MRS25 1% 1K1	5322	116 53473
R 3271	MRS25 1% 14K7	4822	116 53531	R 4154	MRS25 1% 1K78	5322	116 53208
R 3273	MRS25 1% 215K	5322	116 53425	R 4155	MRS25 1% 2K15	5322	116 53239
R 3301	MRS25 1% 10E	4822	116 52891	R 4156	MRS25 1% 1M	4822	116 52843
R 3302	MRS25 1% 1E	4822	116 52976	R 4157	MRS25 1% 1E	4822	116 52976
R 3303	MRS25 1% 5E11	4822	116 52999	R 4158	MRS25 1% 1M	4822	116 52843
R 3304	MRS25 1% 5E11	4822	116 52999	R 4159	MRS25 1% 2K15	5322	116 53239
R 3306	MRS25 1% 2K87	5322	116 53513	R 4160	MRS25 1% 100E	5322	116 53126
R 3308	MRS25 1% 10E	4822	116 52891	R 4161	MRS25 1% 10K	4822	116 53022
R 3309	MRS25 1% 5E11	4822	116 52999	R 4162	MRS25 1% 100E	5322	116 53126
R 3311	MRS25 1% 5E11	4822	116 52999	R 4163	MRS25 1% 5E11	4822	116 52999
R 3312	MRS25 1% 5E11	4822	116 52999	R 4164	MRS25 1% 100E	5322	116 53126
R 3313	MRS25 1% 10E	4822	116 52891	R 4253	MRS25 1% 1K	4822	116 53108
R 4001	MRS25 1% 51E1	5322	116 53213	R 4258	MRS25 1% 4K64	5322	116 53212
R 4002	MRS25 1% 51E1	5322	116 53213	R 4259	MRS25 1% 4K64	5322	116 53212
R 4003	MRS25 1% 2K61	5322	116 53327	R 4260	0.3W 25% 1K	5322	105 20032
R 4004	0.3W 25% 1K	5322	105 20032	R 4261	MRS25 1% 10K	4822	116 53022
R 4006	MRS25 1% 10K	4822	116 53022	R 4262	MRS25 1% 10K	4822	116 53022
R 4007	MRS25 1% 100E	5322	116 53126	R 4263	MRS25 1% 5K11	5322	116 53494
R 4008	MRS25 1% 100E	5322	116 53126	R 4265	MRS25 1% 100E	5322	116 53126
R 4009	MRS25 1% 1K	4822	116 53108	R 4301	MRS25 1% 51K1	4822	116 53121
R 4011	MRS25 1% 2K15	5322	116 53239	R 4302	MRS25 1% 51K1	4822	116 53121
R 4012	MRS25 1% 100E	5322	116 53126	R 4303	MRS25 1% 6K81	5322	116 53252
R 4013	MRS25 1% 100E	5322	116 53126	R 4304	MRS25 1% 5K11	5322	116 53494
R 4014	MRS25 1% 909E	4822	116 53533	R 4305	MRS25 1% 51K1	4822	116 53121
R 4016	MRS25 1% 909E	4822	116 53533	R 4306	MRS25 1% 681E	4822	116 53123
R 4017	MRS25 1% 100E	5322	116 53126	R 4307	MRS25 1% 5K11	5322	116 53494

POSNR	DESCRIPTION	ORDERING CODE	POSNR	DESCRIPTION	ORDERING CODE
R 4308	MRS25 1% 10K	4822 116 53022	R 4809	MRS25 1% 5E11	4822 116 52999
R 4309	MRS25 1% 8K25	5322 116 53267	R 4819	MRS25 1% 5E11	4822 116 52999
R 4310	MRS25 1% 100E	5322 116 53126	R 4820	MRS25 1% 5E11	4822 116 52999
R 4311	MRS25 1% 10K	4822 116 53022	R 4822	MRS25 1% 5E11	4822 116 52999
R 4312	MRS25 1% 9K09	5322 116 53253	R 4825	MRS25 1% 5E11	4822 116 52999
R 4313	MRS25 1% 7K5	4822 116 53028	R 4829	MRS25 1% 5E11	4822 116 52999
R 4314	MRS25 1% 8K25	5322 116 53267	R 4831	MRS25 1% 5E11	4822 116 52999
R 4330	MRS25 1% 5K11	5322 116 53494	R 4833	MRS25 1% 5E11	4822 116 52999
R 4331	MRS25 1% 21K5	5322 116 53261	R 4835	MRS25 1% 5E11	4822 116 52999
R 4332	MRS25 1% 4K22	5322 116 53246	R 4836	MRS25 1% 5E11	4822 116 52999
R 4334	MRS25 1% 2K15	5322 116 53239	R 4841	MRS25 1% 10K	4822 116 53022
R 4404	MRS25 1% 2K37	5322 116 53536	R 4891	MRS25 1% 5E11	4822 116 52999
R 4411	MRS25 1% 2K37	5322 116 53536	R 4893	MRS25 1% 5E11	4822 116 52999
R 4501	MRS25 1% 13K3	5322 116 53489	R 4894	MRS25 1% 5E11	4822 116 52999
R 4502	MRS25 1% 4K22	5322 116 53246	R 4901	MRS25 1% 562E	5322 116 53214
R 4503	MRS25 1% 6K81	5322 116 53252	R 4904	MRS25 1% 1E	4822 116 52976
R 4504	MRS25 1% 13K3	5322 116 53489	R 5001	PP17 20% 10K	5322 101 30546
R 4505	MRS25 1% 511E	5322 116 53135	R 5002	PP17 20% 10K	5322 101 30547
R 4506	MRS25 1% 2K15	5322 116 53239	R 5003	PP17 20% 10K	5322 101 30546
R 4507	MRS25 1% 750E	5322 116 53265	R 5004	PP17 20% 10K	5322 101 30546
R 4508	MRS25 1% 11K	4822 116 52907	R 6001	1.7A 20% 82E	4822 116 30069
R 4509	MRS25 1% 2K15	5322 116 53239	R 6002	MRS25 1% 383K	5322 116 52976
R 4513	MRS25 1% 1K47	5322 116 53185	R 6003	MRS25 1% 383K	5322 116 53576
R 4521	MRS25 1% 16K2	5322 116 53589	R 6004	MRS25 1% 316E	5322 116 53514
R 4522	MRS25 1% 23K7	5322 116 53537	R 6005	MRS25 1% 464E	5322 116 53232
R 4523	MRS25 1% 16K2	5322 116 53589	R 6006	MRS25 1% 10K	4822 116 53022
R 4524	MRS25 1% 14K7	4822 116 53531	R 6007	MRS25 1% 10K	4822 116 53022
R 4526	MRS25 1% 2K37	5322 116 53536	R 6008	MRS25 1% 316E	5322 116 53514
R 4527	MRS25 1% 19K6	5322 116 53258	R 6009	0.5W 10% 1K5	4822 116 30248
R 4528	MRS25 1% 5K62	5322 116 53495	R 6010	MRS25 1% 14K7	4822 116 53531
R 4529	MRS25 1% 21K5	5322 116 53241	R 6011	MRS25 1% 237E	5322 116 53259
R 4531	MRS25 1% 10K	4822 116 53022	R 6012	MRS25 1% 178E	5322 116 53572
R 4532	MRS25 1% 10K	4822 116 53022	R 6013	MRS25 1% 100E	5322 116 53126
R 4533	MRS25 1% 3K48	4822 116 53315	R 6014	MRS25 1% 3E16	4822 116 52993
R 4601	MRS25 1% 2K37	5322 116 53536	R 6016	MRS25 1% 10K	4822 116 53022
R 4602	MRS25 1% 26K1	5322 116 53261	R 6017	MRS25 1% 1E	4822 116 52976
R 4603	MRS25 1% 23K7	5322 116 53537	R 6018	MRS25 1% 1E	4822 116 52976
R 4604	MRS25 1% 100K	4822 116 52973	R 6019	MRS25 1% 10K	4822 116 53022
R 4606	MRS25 1% 909E	4822 116 53533	R 6020	MRS25 1% 21E5	5322 116 53426
R 4607	MRS25 1% 100E	5322 116 53126	R 6021	MRS25 1% 10K	4822 116 53022
R 4608	MRS25 1% 1K	4822 116 53108	R 6022	MRS25 1% 10K	4822 116 53022
R 4609	MRS25 1% 42E2	5322 116 53515	R 6031	MRS25 1% 383E	5322 116 53332
R 4611	MRS25 1% 10K	4822 116 53022	R 6032	1/4W .25% 5K62	5322 116 80473
R 4612	MRS25 1% 7K5	4822 116 53028	R 6033	1/4W .25% 7K5	5322 116 80474
R 4613	MRS25 1% 10K	4822 116 53022	R 6034	MRS25 1% 6K19	5322 116 53263
R 4614	MRS25 1% 51K1	4822 116 53121	R 6036	MRS25 1% 7K5	4822 116 53028
R 4616	0.3W 25% 1K	5322 105 20032	R 6037	MRS25 1% 31K6	5322 116 53262
R 4617	MRS25 1% 6K81	5322 116 53252	R 6038	MRS25 1% 100E	5322 116 53126
R 4618	MRS25 1% 11K	4822 116 52907	R 6039	MRS25 1% 10E	4822 116 52891
R 4619	MRS25 1% 8K25	5322 116 53267	R 6041	MRS25 1% 3K83	4822 116 53079
R 4620	MRS25 1% 7K5	4822 116 53028	R 6042	MRS25 1% 3K83	4822 116 53079
R 4621	MRS25 1% 909E	4822 116 53533	R 6043	MRS25 1% 100K	4822 116 52973
R 4622	MRS25 1% 100E	5322 116 53126	R 6044	MRS25 1% 100K	4822 116 52973
R 4625	MRS25 1% 100E	5322 116 53126	R 6101	MRS25 1% 100E	5322 116 53126
R 4626	MRS25 1% 100E	5322 116 53126	R 6102	MRS25 1% 100E	5322 116 53126
R 4627	MRS25 1% 10K	4822 116 53022	R 6103	MRS25 1% 1K	4822 116 53108
R 4628	MRS25 1% 1K	4822 116 53108	R 6131	MRS25 1% 10E	4822 116 52891
R 4629	MRS25 1% 8K25	5322 116 53267	R 6132	MRS25 1% 100K	4822 116 52973
R 4631	MRS25 1% 1K	4822 116 53108	R 6133	MRS25 1% 100K	4822 116 52973
R 4632	MRS25 1% 100E	5322 116 53126	R 6134	MRS25 1% 1K	4822 116 53108
R 4633	MRS25 1% 1K	4822 116 53108	R 6136	MRS25 1% 4K64	5322 116 53212
R 4634	MRS25 1% 1K	4822 116 53108	R 6137	MRS25 1% 316E	5322 116 53514
R 4636	MRS25 1% 1M	4822 116 52843	R 6138	MRS25 1% 1K	4822 116 53108
R 4639	MRS25 1% 383E	5322 116 53332	R 6139	MRS25 1% 100E	5322 116 53126
R 4701	MRS25 1% 42E2	5322 116 53515	R 6201	1/4W .25% 160K	5322 116 53412
R 4703	MRS25 1% 562E	5322 116 53214	R 6202	VR37 1% 31M6	5322 116 64103
R 4705	MRS25 1% 1K	4822 116 53108	R 6203	MRS25 1% 100K	4822 116 52973
R 4706	MRS25 1% 100E	5322 116 53126	R 6204	MRS25 1% 10K	4822 116 53022
R 4707	MRS25 1% 511E	5322 116 53135	R 6205	MRS25 1% 1K	4822 116 53108
R 4708	MRS25 1% 2K87	5322 116 53513	R 6206	MRS25 1% 16K2	5322 116 53589
R 4709	MRS25 1% 681E	4822 116 53123	R 6207	MRS25 1% 51E1	5322 116 53213
R 4711	MRS25 1% 6K19	5322 116 53263	R 6208	MRS25 1% 464E	5322 116 53232
R 4712	MRS25 1% 511E	5322 116 53135	R 6209	MRS25 1% 4K64	5322 116 53212
R 4713	MRS25 1% 1M	4822 116 52843	R 6211	MRS25 1% 46K4	5322 116 53314
R 4714	MRS25 1% 1M	4822 116 52843	R 6212	MRS25 1% 4K64	5322 116 53212
R 4716	MRS25 1% 6K81	5322 116 53252	R 6213	MRS25 1% 215E	5322 116 53325
R 4717	MRS25 1% 8K25	5322 116 53267	R 6214	VR25 5% 10M	4822 110 72214
R 4718	MRS25 1% 1K	4822 116 53108	R 6216	MRS25 1% 100E	5322 116 53126
R 4719	MRS25 1% 100E	5322 116 53126	R 6217	MRS25 1% 1E	4822 116 52976
R 4721	0.3W 25% 1K	5322 105 20032	R 6300	MRS25 1% 2K61	5322 116 53327
R 4722	MRS25 1% 46K4	5322 116 53314	R 6301	MRS25 1% 464E	5322 116 53232
R 4723	MRS25 1% 681K	5322 116 53593	R 6302	MRS25 1% 909E	4822 116 53533
R 4724	MRS25 1% 42E2	5322 116 53515	R 6303	MRS25 1% 3K83	4822 116 53079
R 4725	MRS25 1% 4K22	5322 116 53246	R 6304	MRS25 1% 6K81	5322 116 53252
R 4726	MRS25 1% 100K	4822 116 52973	R 6311	MRS25 1% 750E	5322 116 53265
R 4727	MRS25 1% 6K81	5322 116 53252	R 6312	MRS25 1% 4K22	5322 116 53246
R 4728	MRS25 1% 562E	5322 116 53214	R 6313	MRS25 1% 825E	5322 116 53541
R 4801	MRS25 1% 5E11	4822 116 52999	R 6401	MRS25 1% 1K78	5322 116 53208
R 4804	MRS25 1% 5E11	4822 116 52999	R 6402	MRS25 1% 178K	5322 116 53555
R 4807	MRS25 1% 5E11	4822 116 52999	R 6403	MRS25 1% 215E	5322 116 53325

POSNR	DESCRIPTION	ORDERING CODE	POSNR	DESCRIPTION	ORDERING CODE
R 6404	MRS25 1% 6K81	5322 116 53252	R 9103	MRS25 1% 511K	5322 116 53334
R 6406	MRS25 1% 26K1	5322 116 53261	R 9104	MRS25 1% 511K	5322 116 53334
R 6407	MRS25 1% 3K48	4822 116 53315	R 9106	MRS25 1% 4K22	5322 116 53246
R 6408	MTP10 20% 10K	5322 100 10113	R 9107	MRS25 1% 1K	4822 116 53108
R 6500	MRS25 1% 10E	4822 116 52891	R 9108	MRS25 1% 1K	4822 116 53108
R 6501	MRS25 1% 511E	5322 116 53135	R 9111	MRS25 1% 750E	5322 116 53265
R 6502	MRS25 1% 100K	4822 116 52973	R 9112	MRS25 1% 1K78	5322 116 53208
R 6503	MRS25 1% 5K11	5322 116 53494	R 9113	MRS25 1% 1K78	5322 116 53208
R 6504	MRS25 1% 19K6	5322 116 53258	R 9114	MRS25 1% 5K11	5322 116 53494
R 6506	MRS25 1% 5K62	5322 116 53495	R 9116	0.3W 25% 10K	4822 105 10455
R 6507	MRS25 1% 511E	5322 116 53135	R 9117	MRS25 1% 316K	4822 116 53058
R 6508	1/4W .25% 3K67	5322 116 53411	R 9118	MRS25 1% 3K83	4822 116 53079
R 6509	1/4W .25% 500E	5322 116 53408	R 9119	MRS25 1% 3K83	4822 116 53079
R 6511	MRS25 1% 562E	5322 116 53214	R 9121	MRS25 1% 10E	4822 116 52891
R 7005	PP17 20% 10K	5322 101 30546	R 9122	MRS25 1% 10K	4822 116 53022
R 7006	PP17 20% 10K	5322 101 30546	R 9123	0.3W 25% 1K	5322 105 20032
R 7007	PP17 20% 10K	5322 101 30546	R 9124	MRS25 1% 10K	4822 116 53022
R 7008	PP17 20% 10K	5322 101 30546	R 9126	MRS25 1% 31K6	5322 116 53262
R 7009	PP17 20% 10K	5322 101 30546	R 9127	MRS25 1% 2K87	5322 116 53513
R 7010	PP17 20% 10K	5322 101 30546	R 9128	MRS25 1% 750E	5322 116 53265
R 7011	PP17 20% 10K	5322 101 30546	R 9129	MRS25 1% 1K	4822 116 53108
R 7012	PP17 20% 10K	5322 101 30546	R 9131	MRS25 1% 1K78	5322 116 53208
R 7021	MRS25 1% 11K	4822 116 52907	R 9132	MRS25 1% 3K16	4822 116 53021
R 7022	MRS25 1% 10K	4822 116 53022	R 9133	MRS25 1% 4K22	5322 116 53246
R 7023	MRS25 1% 90K9	5322 116 53582	R 9134	0.3W 25% 220K	5322 105 20039
R 7024	MRS25 1% 1K	4822 116 53108	R 9136	MRS25 1% 1E	4822 116 52976
R 7025	MRS25 1% 51E1	5322 116 53213	R 9137	MRS25 1% 1E	4822 116 52976
R 7026	MRS25 1% 4K64	5322 116 53212	R 9138	MRS25 1% 1E	4822 116 52976
R 7027	MRS25 1% 3K83	4822 116 53079	R 9141	MRS25 1% 56K2	5322 116 53222
R 7028	MRS25 1% 3K83	4822 116 53079	R 9161	MRS25 1% 1K	4822 116 53108
R 7029	MRS25 1% 1K	4822 116 53108	R 9162	MRS25 1% 51E1	5322 116 53213
R 7031	MRS25 1% 1K	4822 116 53108	R 9163	MRS25 1% 215E	5322 116 53325
R 7032	MRS25 1% 75K	5322 116 53266	R 9164	0.3W 25% 2K2	5322 105 20033
R 7033	MRS25 1% 5K11	5322 116 53494	R 9166	MRS25 1% 51E1	5322 116 53213
R 7034	MRS25 1% 162E	5322 116 53523	R 9167	MRS25 1% 1K	4822 116 53108
R 7036	0.5W 10% 2K2	4822 116 30254	R 9168	MRS25 1% 6K19	5322 116 53263
R 7037	MRS25 1% 1K1	5322 116 53473	R 9169	MRS25 1% 3K48	4822 116 53315
R 7038	MRS25 1% 1M	4822 116 52843	R 9171	MRS25 1% 51E1	5322 116 53213
R 7041	MRS25 1% 3K83	4822 116 53079	R 9172	MRS25 1% 51E1	5322 116 53213
R 7042	MRS25 1% 3K83	4822 116 53079	R 9173	MRS25 1% 750E	5322 116 53265
R 7043	MRS25 1% 1M	4822 116 52843	R 9174	MRS25 1% 750E	5322 116 53265
R 7102	MRS25 1% 100E	5322 116 53126	R 9176	MRS25 1% 422E	5322 116 53592
R 8001	MCR18 1% 10K	4822 111 90249	R 9177	MRS25 1% 422E	5322 116 53592
R 9011	MRS25 1% 464E	5322 116 53232	R 9178	0.3W 25% 1K	5322 105 20032
R 9012	MRS25 1% 10K	4822 116 53022	R 9179	MRS25 1% 5K11	5322 116 53494
R 9013	MRS25 1% 1E	4822 116 52976	R 9181	MRS25 1% 5E11	4822 116 52999
R 9018	-105-103 10K	5322 111 90473	R 9182	MRS25 1% 1K	4822 116 53108
R 9021	MRS25 1% 1K1	5322 116 53473	R 9183	MRS25 1% 1K	4822 116 53108
R 9028	MRS25 1% 464E	5322 116 53232	R 9184	MRS25 1% 51E1	5322 116 53213
R 9029	MRS25 1% 5K11	5322 116 53494	R 9186	MRS25 1% 2K15	5322 116 53239
R 9033	MRS25 1% 5K11	5322 116 53494	R 9201	MRS25 1% 31E6	5322 116 54964
R 9034	MRS25 1% 5K11	5322 116 53494	R 9202	MRS25 1% 31E6	5322 116 54964
R 9039	MRS25 1% 5K11	5322 116 53494	R 9203	MRS25 1% 422E	5322 116 53592
R 9041	MRS25 1% 10E	4822 116 52891	U 3262	VR25 5% 7M5	5322 116 60131
R 9042	MRS25 1% 2K37	5322 116 53536			
R 9043	MRS25 1% 10E	4822 116 52891			
R 9044	MRS25 1% 1K96	5322 116 53237			
R 9045	MRS25 1% 10K	4822 116 53022			
R 9046	MRS25 1% 10K	4822 116 53022			
R 9047	MRS25 1% 10K	4822 116 53022			
R 9048	MRS25 1% 10K	4822 116 53022			
R 9051	MRS25 1% 2K61	5322 116 53327			
R 9052	MRS25 1% 5K11	5322 116 53494			
R 9053	0.3W 25% 2K2	5322 105 20033			
R 9054	MRS25 1% 10E	4822 116 52891			
R 9056	MRS25 1% 10E	4822 116 52891			
R 9057	MRS25 1% 7K5	4822 116 53028			
R 9061	MRS25 1% 1K	4822 116 53108			
R 9062	MRS25 1% 51E1	5322 116 53213			
R 9063	MRS25 1% 215E	5322 116 53325			
R 9064	0.3W 25% 2K2	5322 105 20033			
R 9066	MRS25 1% 51E1	5322 116 53213			
R 9067	MRS25 1% 1K	4822 116 53108			
R 9068	MRS25 1% 6K19	5322 116 53263			
R 9069	MRS25 1% 3K48	4822 116 53315			
R 9071	MRS25 1% 51E1	5322 116 53213			
R 9072	MRS25 1% 51E1	5322 116 53213			
R 9073	MRS25 1% 750E	5322 116 53265			
R 9074	MRS25 1% 750E	5322 116 53265			
R 9076	MRS25 1% 422E	5322 116 53592			
R 9077	MRS25 1% 422E	5322 116 53592			
R 9078	0.3W 25% 1K	5322 105 20032			
R 9079	MRS25 1% 5K11	5322 116 53494			
R 9081	MRS25 1% 5E11	4822 116 52999			
R 9082	MRS25 1% 1K	4822 116 53108			
R 9083	MRS25 1% 1K	4822 116 53108			
R 9084	MRS25 1% 51E1	5322 116 53213			
R 9086	MRS25 1% 2K15	5322 116 53239			
R 9101	MRS25 1% 4K22	5322 116 53246			
R 9102	MRS25 1% 511K	5322 116 53334			

18.3.3 COILS

POSNR	DESCRIPTION	ORDERING CODE
L 1001	0.22UH 10% TDK	5322 157 53284
L 1101	0.22UH 10% TDK	5322 157 53284
L 1401	1500UH TDK	4822 156 21293
L 1402	1500UH TDK	4822 156 21293
L 1403	1500UH TDK	4822 156 21293
L 1421	1500UH TDK	4822 156 21293
L 1422	1500UH TDK	4822 156 21293
L 1423	1500UH TDK	4822 156 21293
L 3001	2.2UH 10% TDK	5322 157 53509
L 3002	2.2UH 10% TDK	5322 157 53509
L 3003	2.7UH 10% TDK	5322 157 53511
L 4101	2.0UH TDK	4822 157 51757
L 4801	0.01H TDK	5322 157 53019
L 6000	100UH TDK	5322 157 52363
L 6001	100UH TDK	5322 157 52363
L 6002	100UH TDK	5322 157 52363
L 6003	5.6UH TDK	4822 157 52259
L 6004	220UH TDK	5322 157 53524
L 6006	220UH TDK	5322 157 53524
L 6101	10UH TDK	5322 157 52513
L 6102	82UH TDK	4822 158 10563
L 6103	100UH TDK	5322 157 52363
L 6104	100UH TDK	5322 157 52363
L 6106	82UH TDK	4822 158 10563
L 6107	82UH TDK	4822 158 10563
L 6108	82UH TDK	4822 158 10563
L 6109	82UH TDK	4822 158 10563
L 6111	15UH TDK	5322 157 52539

POSNR	DESCRIPTION	ORDERING CODE	POSNR	DESCRIPTION	ORDERING CODE
L 6201	82UH	4822 158 10563	V 1119	BF199 PEL	4822 130 44154
L 6501	82UH	4822 158 10563	V 1121	BF199 PEL	4822 130 44154
L 7101	15UH	5322 157 52539	V 1122	BF324 PEL	4822 130 41448
L 9001	2.0UH	4822 157 51757	V 1123	BZX79-C5V6 PEL	4822 130 34173
L 9002	2.0UH TDK	4822 157 51757	V 1124	BF370 PEL	4822 130 42589
L 9003	2.0UH TDK	4822 157 51757	V 1161	BAW62 PEL	4822 130 30613
L 9006	2.0UH TDK	4822 157 51757	V 1162	BAW62 PEL	4822 130 30613
L 9007	2.0UH TDK	4822 157 51757	V 1163	BF324 PEL	4822 130 41448

18.3.4 SEMI-CONDUCTORS

POSNR	DESCRIPTION	ORDERING CODE	POSNR	DESCRIPTION	ORDERING CODE
V 0601	BC548C PEL	4822 130 44196	V 1206	BF199 PEL	4822 130 44154
V 0602	BC558B PEL	4822 130 44197	V 1207	BF324 PEL	4822 130 41448
V 0603	BZV86-C1V4 PEL	4822 130 81423	V 1208	BZX79-C5V6 PEL	4822 130 34173
V 0604	BC558B PEL	4822 130 44197	V 1209	BF199 PEL	4822 130 44154
V 0606	BC548C PEL	4822 130 44196	V 1211	BF324 PEL	4822 130 41448
V 0607	BZX79-C6V2 PEL	4822 130 34167	V 1212	BF324 PEL	4822 130 41448
V 0608	BC548C PEL	4822 130 44196	V 1213	BF324 PEL	4822 130 41448
V 0609	BAW62 PEL	4822 130 30613	V 2001	BZV86-C2V0 PEL	4822 130 81424
V 0611	BAW62 PEL	4822 130 30613	V 2002	BZV86-C2V0 PEL	4822 130 81424
V 0612	BAW62 PEL	4822 130 30613	V 2003	BZX79-C3V0 PEL	4822 130 31881
V 0613	BAW62 PEL	4822 130 30613	V 2101	BZV86-C2V0 PEL	4822 130 81424
V 0614	BAW62 PEL	4822 130 30613	V 2102	BZV86-C2V0 PEL	4822 130 81424
V 0615	BAW62 PEL	4822 130 30613	V 2103	BZX79-C3V0 PEL	4822 130 31881
V 0616	BC548C PEL	4822 130 44196	V 2308	BZX79-C5V1 PEL	4822 130 34233
V 0617	BC548C PEL	4822 130 44196	V 2309	BZX79-C5V1 PEL	4822 130 34233
V 0618	BAW62 PEL	4822 130 30613	V 2310	BC558B PEL	4822 130 44197
V 0619	BAW62 PEL	4822 130 30613	V 2311	BC558B PEL	4822 130 44197
V 0621	BC548C PEL	4822 130 44196	V 2312	BC558B PEL	4822 130 44197
V 0622	BC548C PEL	4822 130 44196	V 2313	BAW62 PEL	4822 130 30613
V 0623	BAW62 PEL	4822 130 30613	V 2314	BAW62 PEL	4822 130 30613
V 0624	BAW62 PEL	4822 130 30613	V 2316	BF324 PEL	4822 130 41448
V 0626	BC548C PEL	4822 130 44196	V 2317	BC548C PEL	4822 130 44196
V 0627	BC548C PEL	4822 130 44196	V 2318	BF324 PEL	4822 130 41448
V 0628	BC548C PEL	4822 130 44196	V 2319	BF324 PEL	4822 130 41448
V 0629	BC548C PEL	4822 130 44196	V 2321	BF324 PEL	4822 130 41448
V 0630	BC548C PEL	4822 130 44196	V 2325	BAW62 PEL	4822 130 30613
V 0631	BC548C PEL	4822 130 44196	V 2326	BAW62 PEL	4822 130 30613
V 0632	BC548C PEL	4822 130 44196	V 2327	BC558B PEL	4822 130 44197
V 0633	BC548C PEL	4822 130 44196	V 2328	BZX79-C5V1 PEL	4822 130 34233
V 0634	BAW62 PEL	4822 130 30613	V 2329	BZX79-C9V1 PEL	4822 130 30862
V 0636	BAW62 PEL	4822 130 30613	V 2331	BC558B PEL	4822 130 44197
V 1000	BA483 PEL	4822 130 32656	V 2332	BC558B PEL	4822 130 44197
V 1001	BF324 PEL	4822 130 41448	V 2333	BC558B PEL	4822 130 44197
V 1002	BF324 PEL	4822 130 41448	V 2334	BC558B PEL	4822 130 44197
V 1003	ON4401 PEL	5322 130 61498	V 2341	BF199 PEL	4822 130 44154
V 1004	BA483 PEL	4822 130 32656	V 2342	BF199 PEL	4822 130 44154
V 1005	BA483 PEL	4822 130 32656	V 2347	BF199 PEL	4822 130 44154
V 1006	ON4401 PEL	5322 130 61498	V 2349	BF199 PEL	4822 130 44154
V 1007	BA483 PEL	4822 130 32656	V 2356	BC548C PEL	4822 130 44196
V 1008	BA483 PEL	4822 130 32656	V 2357	BC548C PEL	4822 130 44196
V 1009	BA483 PEL	4822 130 32656	V 2366	BAW62 PEL	4822 130 30613
V 1010	BZX79-C10 PEL	4822 130 34297	V 2367	BAW62 PEL	4822 130 30613
V 1011	ON4401 PEL	5322 130 61498	V 2368	BAW62 PEL	4822 130 30613
V 1012	BA483 PEL	4822 130 32656	V 2369	BAW62 PEL	4822 130 30613
V 1013	BA483 PEL	4822 130 32656	V 2370	BC548C PEL	4822 130 44196
V 1014	BA483 PEL	4822 130 32656	V 2371	BC558B PEL	4822 130 44197
V 1016	ON4401 PEL	5322 130 61498	V 2601	BZX79-C6V2 PEL	4822 130 34167
V 1017	BA483 PEL	4822 130 32656	V 2602	BC548C PEL	4822 130 44196
V 1019	BF199 PEL	4822 130 44154	V 2611	BF199 PEL	4822 130 44154
V 1021	BF199 PEL	4822 130 44154	V 2612	BF199 PEL	4822 130 44154
V 1022	BF324 PEL	4822 130 41448	V 2615	BC548C PEL	4822 130 44196
V 1023	BZX79-C5V6 PEL	4822 130 34173	V 2616	BZV86-C1V4 PEL	4822 130 81423
V 1024	BF370 PEL	4822 130 42589	V 3001	BF324 PEL	4822 130 41448
V 1061	BAW62 PEL	4822 130 30613	V 3002	BF324 PEL	4822 130 41448
V 1062	BAW62 PEL	4822 130 30613	V 3003	BC558B PEL	4822 130 44197
V 1063	BF324 PEL	4822 130 41448	V 3004	BF324 PEL	4822 130 41448
V 1064	BF324 PEL	4822 130 41448	V 3006	BF324 PEL	4822 130 41448
V 1100	BA483 PEL	4822 130 32656	V 3007	BC548C PEL	4822 130 44196
V 1101	BF324 PEL	4822 130 41448	V 3008	BF370 PEL	4822 130 42589
V 1102	BF324 PEL	4822 130 41448	V 3009	BF370 PEL	4822 130 42589
V 1103	ON4401 PEL	5322 130 61498	V 3011	2N3866-01 PEL	5322 130 41799
V 1104	BA483 PEL	4822 130 32656	V 3012	2N3866-01 PEL	5322 130 41799
V 1105	BA483 PEL	4822 130 32656	V 3013	BZX79-B27 PEL	4822 130 34379
V 1106	ON4401 PEL	5322 130 61498	V 3014	BZX79-B27 PEL	4822 130 34379
V 1107	BA483 PEL	4822 130 32656	V 3016	BAW62 PEL	4822 130 30613
V 1108	BA483 PEL	4822 130 32656	V 3101	BF324 PEL	4822 130 41448
V 1109	BA483 PEL	4822 130 32656	V 3102	BF324 PEL	4822 130 41448
V 1110	BZX79-C10 PEL	4822 130 34297	V 3103	BF324 PEL	4822 130 41448
V 1111	ON4401 PEL	5322 130 61498	V 3104	BC558B PEL	4822 130 44197
V 1112	BA483 PEL	4822 130 32656	V 3106	BF324 PEL	4822 130 41448
V 1113	BA483 PEL	4822 130 32656	V 3108	BF472 PEL	5322 130 42535
V 1114	BA483 PEL	4822 130 32656	V 3109	BF370 PEL	4822 130 42589
V 1116	ON4401 PEL	5322 130 61498	V 3111	BF370 PEL	4822 130 42589
V 1117	BA483 PEL	4822 130 32656	V 3112	2N5551 PEL	5322 130 44491
			V 3113	BZX79-B5V6 PEL	4822 130 34173

POSNR	DESCRIPTION	ORDERING	CODE	POSNR	DESCRIPTION	ORDERING	CODE
V 3114	2N5551	PEL	5322 130 44491	V 4513	BC558B	PEL	4822 130 44197
V 3116	BF472	PEL	5322 130 42535	V 4514	BC558B	PEL	4822 130 44197
V 3200	BF370	PEL	4822 130 42589	V 4516	BAW62	PEL	4822 130 30613
V 3201	BF370	PEL	4822 130 42589	V 4517	BAW62	PEL	4822 130 30613
V 3202	2N5401	PEL	5322 130 42534	V 4518	BAW62	PEL	4822 130 30613
V 3203	2N5551	PEL	5322 130 44491	V 4519	BAW62	PEL	4822 130 30613
V 3204	BF423	PEL	4822 130 41646	V 4521	BAW62	PEL	4822 130 30613
V 3205	BZX79-B5V6	PEL	4822 130 34173	V 4522	BAW62	PEL	4822 130 30613
V 3206	BAW62	PEL	4822 130 30613	V 4523	BC548C	PEL	4822 130 44196
V 3207	BC548C	PEL	4822 130 44196	V 4601	BAW62	PEL	4822 130 30613
V 3208	BF423	PEL	4822 130 41646	V 4602	BAW62	PEL	4822 130 30613
V 3209	BAW62	PEL	4822 130 30613	V 4603	BAW62	PEL	4822 130 30613
V 3211	BAW62	PEL	4822 130 30613	V 4611	BF199	PEL	4822 130 44154
V 3212	BZX79-B68	PEL	4822 130 30864	V 4612	BF199	PEL	4822 130 44154
V 3213	BC548C	PEL	4822 130 44196	V 4613	BAW62	PEL	4822 130 30613
V 3214	BAW62	PEL	4822 130 30613	V 4614	BAW62	PEL	4822 130 30613
V 3215	BAW62	PEL	4822 130 30613	V 4616	BC548C	PEL	4822 130 44196
V 3216	BZX79-C9V1	PEL	4822 130 30862	V 4617	BAW62	PEL	4822 130 30613
V 3217	BAW62	PEL	4822 130 30613	V 4618	BAW62	PEL	4822 130 30613
V 3251	BF423	PEL	4822 130 41646	V 4702	BF324	PEL	4822 130 41448
V 3252	BZX79-C6V2	PEL	4822 130 34167	V 4703	BAW62	PEL	4822 130 30613
V 3253	BF423	PEL	4822 130 41646	V 4704	BAW62	PEL	4822 130 30613
V 3254	BF423	PEL	4822 130 41646	V 4706	BF324	PEL	4822 130 41448
V 3256	BF423	PEL	4822 130 41646	V 4707	BC558B	PEL	4822 130 44197
V 3257	BAV21	PEL	4822 130 30842	V 4708	BF324	PEL	4822 130 41448
V 3301	BZX79-C6V2	PEL	4822 130 34167	V 4709	BC558B	PEL	4822 130 44197
V 4001	BF199	PEL	4822 130 44154	V 4710	BC548C	PEL	4822 130 44196
V 4002	BF199	PEL	4822 130 44154	V 4711	BAW62	PEL	4822 130 30613
V 4003	BF324	PEL	4822 130 41448	V 4712	BF324	PEL	4822 130 41448
V 4004	BF324	PEL	4822 130 41448	V 4713	BAW62	PEL	4822 130 30613
V 4005	BZX79-C6V2	PEL	4822 130 34167	V 6001	BYV96E	PEL	5322 130 34979
V 4006	BAW62	PEL	4822 130 30613	V 6002	BYV96E	PEL	5322 130 34979
V 4008	BFQ22S	PEL	5322 130 42031	V 6003	BYV96E	PEL	5322 130 34979
V 4009	BC548C	PEL	4822 130 44196	V 6004	BYV96E	PEL	5322 130 34979
V 4011	BC548C	PEL	4822 130 44196	V 6007	BAX12	PEL	5322 130 34605
V 4012	BC548C	PEL	4822 130 44196	V 6008	BAX12	PEL	5322 130 34605
V 4013	BZX79-C5V1	PEL	4822 130 34233	V 6009	BC337	PEL	4822 130 40855
V 4014	BC548C	PEL	4822 130 44196	V 6011	BAX12	PEL	5322 130 34605
V 4016	BZX79-C3V6	PEL	5322 130 34834	V 6012	BZX79-C15	PEL	4822 130 34281
V 4017	BAW62	PEL	4822 130 30613	V 6013	BRV39	PEL	5322 130 40482
V 4018	BC548C	PEL	4822 130 44196	V 6014	BUK456-800B	PEL	5322 130 43926
V 4021	BC548C	PEL	4822 130 44196	V 6016	BYV27-150	PEL	4822 130 31628
V 4022	BAW62	PEL	4822 130 30613	V 6017	BYV96E	PEL	5322 130 34979
V 4023	BC548C	PEL	4822 130 44196	V 6018	BUW12A	PEL	5322 130 42114
V 4101	BC558B	PEL	4822 130 44197	V 6019	BYV26C	PEL	4822 130 32343
V 4102	BAW62	PEL	4822 130 30613	V 6021	BZX79-C3V0	PEL	4822 130 31881
V 4103	BAW62	PEL	4822 130 30613	V 6031	BZX79-C3V6	PEL	5322 130 34834
V 4104	BC548C	PEL	4822 130 44196	V 6101	MBR2545CT	MOT	5322 130 81179
V 4106	BAW62	PEL	4822 130 30613	V 6102	BYW95C	PEL	4822 130 41602
V 4107	BC327	PEL	4822 130 40854	V 6103	BYV95C	PEL	4822 130 41487
V 4108	BC548C	PEL	4822 130 44196	V 6104	BYV28-150	PEL	5322 130 32043
V 4109	BC558B	PEL	4822 130 44197	V 6106	BYV27-150	PEL	4822 130 31628
V 4110	BA483	PEL	4822 130 32656	V 6107	BYV95C	PEL	4822 130 41487
V 4111	BC558B	PEL	4822 130 44197	V 6108	BYV27-150	PEL	4822 130 31628
V 4112	BSX20	PEL	4822 130 41705	V 6109	BYV95C	PEL	4822 130 41487
V 4113	BZV86-C1V4	PEL	4822 130 81423	V 6110	BYV27-150	PEL	4822 130 31628
V 4114	BSX20	PEL	4822 130 41705	V 6113	BYV95C	PEL	4822 130 41487
V 4115	BZX79-C6V2	PEL	4822 130 34167	V 6115	BYV27-150	PEL	4822 130 31628
V 4116	BAW62	PEL	4822 130 30613	V 6116	BYV27-150	PEL	4822 130 31628
V 4117	BC548C	PEL	4822 130 44196	V 6131	BAX12	PEL	5322 130 34605
V 4118	BC548C	PEL	4822 130 44196	V 6132	BAW62	PEL	4822 130 30613
V 4119	BF199	PEL	4822 130 44154	V 6133	BZX79-C6V2	PEL	4822 130 34167
V 4120	BAW62	PEL	4822 130 30613	V 6134	BC337	PEL	4822 130 40855
V 4121	BC548C	PEL	4822 130 44196	V 6136	BF423	PEL	4822 130 41646
V 4122	BAW62	PEL	4822 130 30613	V 6137	BF423	PEL	4822 130 41646
V 4123	BAW62	PEL	4822 130 30613	V 6138	BZX79-C5V6	PEL	4822 130 34173
V 4216	BAW62	PEL	4822 130 30613	V 6201	BC327	PEL	4822 130 40854
V 4217	BC548C	PEL	4822 130 44196	V 6202	BZX79-C15	PEL	4822 130 34281
V 4300	BZX79-C6V2	PEL	4822 130 34167	V 6203	BAV21	PEL	4822 130 30842
V 4301	BC558B	PEL	4822 130 44197	V 6204	BAV21	PEL	4822 130 30842
V 4302	BC548C	PEL	4822 130 44196	V 6206	BAV21	PEL	4822 130 30842
V 4304	BC558B	PEL	4822 130 44197	V 6207	BYV27-150	PEL	4822 130 31628
V 4305	BZX79-C9V1	PEL	4822 130 30862	V 6208	BUV26A	PEL	5322 130 42722
V 4306	BAW62	PEL	4822 130 30613	V 6209	BY509	PEL	4822 130 41485
V 4307	BC548C	PEL	4822 130 44196	V 6211	BC337	PEL	4822 130 40855
V 4308	BZV86-C1V4	PEL	4822 130 81423	V 6301	BC548C	PEL	4822 130 44196
V 4309	BC548C	PEL	4822 130 44196	V 6302	BC558B	PEL	4822 130 44197
V 4321	BAW62	PEL	4822 130 30613	V 6303	BC337	PEL	4822 130 40855
V 4322	BC548C	PEL	4822 130 44196	V 6304	BC327	PEL	4822 130 40854
V 4323	BC548C	PEL	4822 130 44196	V 6311	BC337	PEL	4822 130 40855
V 4500	BAW62	PEL	4822 130 30613	V 6312	BDX78	PEL	5322 130 44278
V 4501	BC548C	PEL	4822 130 44196	V 6401	BZV11	PEL	5322 130 34294
V 4502	BC548C	PEL	4822 130 44196	V 6402	BAX12	PEL	5322 130 34605
V 4503	BC548C	PEL	4822 130 44196	V 6403	BC337	PEL	4822 130 40855
V 4504	BC548C	PEL	4822 130 44196	V 7001	BAW62	PEL	4822 130 30613
V 4505	BAW62	PEL	4822 130 30613	V 7002	BC548C	PEL	4822 130 44196
V 4506	BC548C	PEL	4822 130 44196	V 7101	BAW62	PEL	4822 130 30613
V 4510	BC558B	PEL	4822 130 44197	V 9001	BAT85	PEL	4822 130 31983
V 4511	BC558B	PEL	4822 130 44197	V 9002	BAT85	PEL	4822 130 31983
V 4512	BC558B	PEL	4822 130 44197	V 9003	BAT85	PEL	4822 130 31983

POSNR	DESCRIPTION	ORDERING CODE
S 7018		5322 276 11856
S 7019		5322 276 11856
S 7020		5322 276 11856
S 7021		5322 276 11856
S 7022		5322 276 11856
S 7023		5322 276 11856
S 7024		5322 276 11856
S 7025		5322 276 11856
S 7026		5322 276 11856
S 7028		5322 276 11856
S 7029		5322 276 11856
S 7030		5322 276 11856
S 7031		5322 276 11856
S 7032		5322 276 11856
V 0001	D14-372GH PEL	5322 131 20169

Manual Supplement

Manual Title:	Service Manual PM3331/35/37	Supplement Issue:	2
Part Number:	4822 872 05345	Part Number:	4822 872 08527
Print Date:	15-Feb-1996	Issue Date:	04-May-1996
Revision/Date:	-/-	Page Count	1

This supplement contains information necessary to ensure the accuracy of the above Service Manual for the models PM3331, PM3335 and PM3337.

Completion of parts list.

On page 18-18 should be added under 18.3.6 Miscellaneous:

T6001, converter transformer, ordering code 5322 146 21524.

T6201, EHT transformer, ordering code 5322 146 30592.

New CRT types and EHT multiplier.

The Cathode Ray Tubes (CRT's) such as used in these oscilloscopes have been changed to a new type. The difference with the previous types is another kind of EHT-connector and subsequently a new type number.

In the old situation, the EHT-connection at the CRT is of the male type (it has the shape of a bulge).

In the new situation, the EHT-connection at the CRT is of the female type (it has the shape of a cavity).

In relation with this, also the EHT-multiplier unit D6201 with incorporated cable and rubber screening cap are adapted.

Old situation:		New situation:	
Description	Part number:	Description:	Part number:
CRT, D14-372GH/123	5322 131 20169	CRT, D14-375GH/123	5322 131 11063
EHT-multiplier, D6201	5322 321 21597	EHT-multiplier, D6201	5322 218 10633