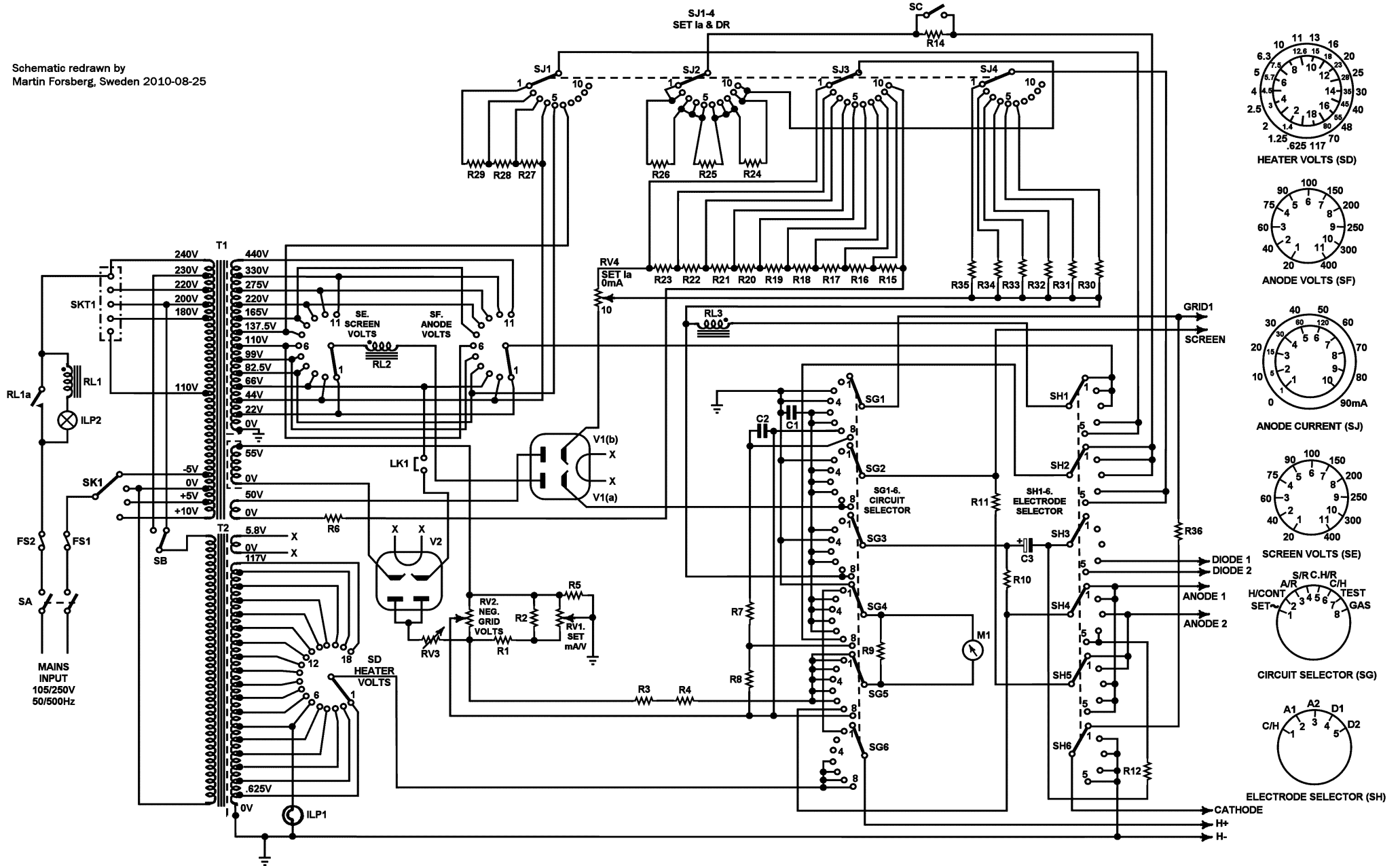


R			6	29,1,28,27,2	5	3,4 23,26	22 25,21 7,8,20,24	19	18,17	16	15,9	14	35	34 11,33,10,32	31	30	12	36	R
S	SA	SK1	SB	SE,SD	LK1	SF	SJ1		SJ2		SJ3 SG1-SG6, SC		SJ4	SH1-SH6					S
MISC.	RL1a,FS2,RL1,ILP2,FS1,SKT1	T1,T2	ILP1	RL2 V2	RV3 RV2	V1	RV1 RV4		RL3	C2 C1	M1	C3		MISC.					

Schematic redrawn by
Martin Forsberg, Sweden 2010-08-25



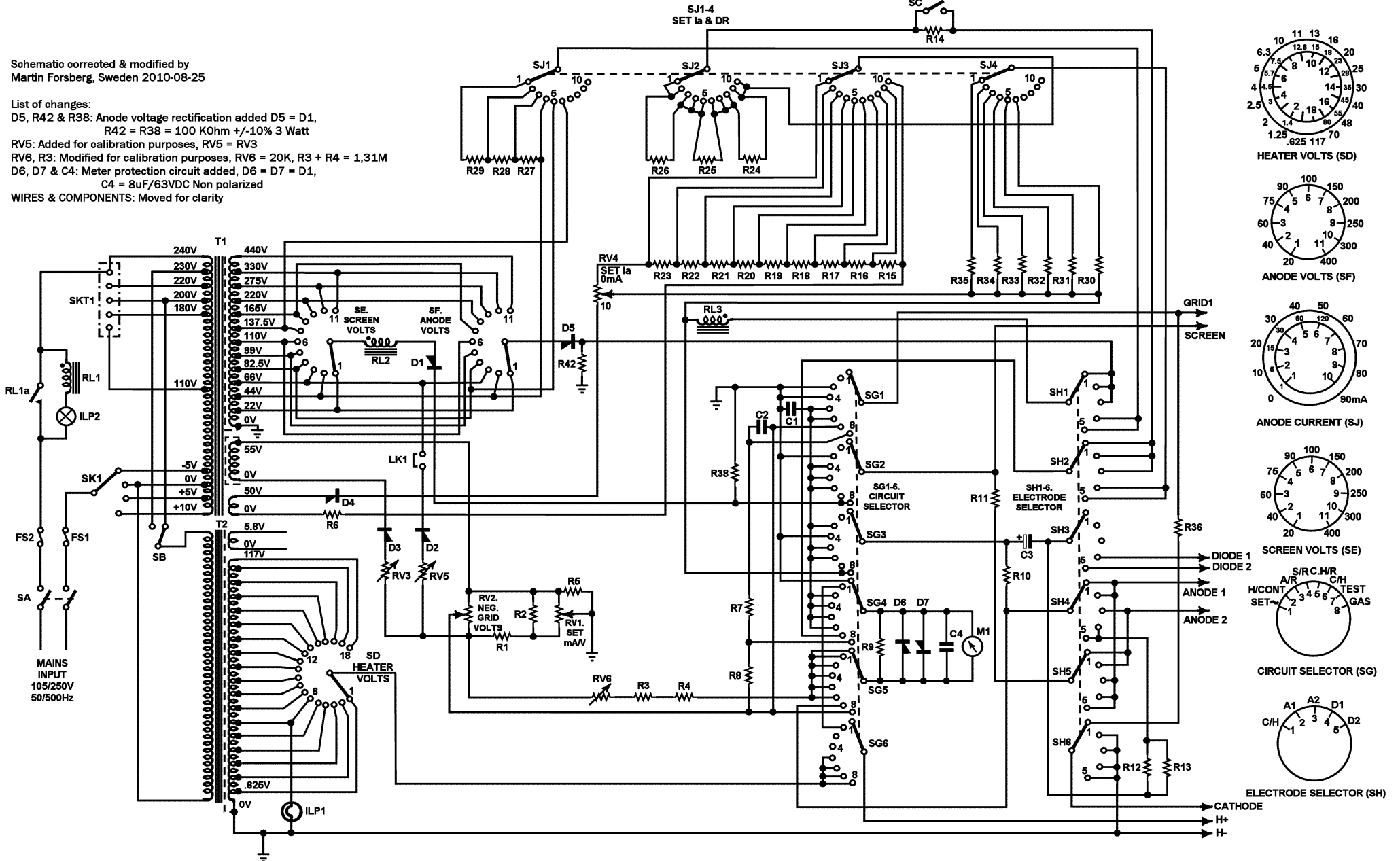
Valve Tester type 160 - Circuit Diagram ** Redrawn!

R		6	29,1,28,27,2	42 5	3,4,23,26 22,25,21 20,24,8,7,38 19,18,17	16	15,9	14	35	34 11,33,10,32	31	30	12,13	36	R
S	SA	SK1	SB	SE,SD	LK1	SF	SJ1	SJ2	SJ3	SG1-SG6, SC	SJ4	SH1-SH6			S
MISC.	RL1a,FS2,RL1,ILP2,FS1,SKT1	T1,T2	ILP1	D4, RL2, D3, RV3, RV5, D2,D1	RV1 D5	RV4 RV6	RL3	C2 C1	D6,D7,C4,M1	C3				MISC.	

Schematic corrected & modified by
Martin Forsberg, Sweden 2010-08-25

List of changes:

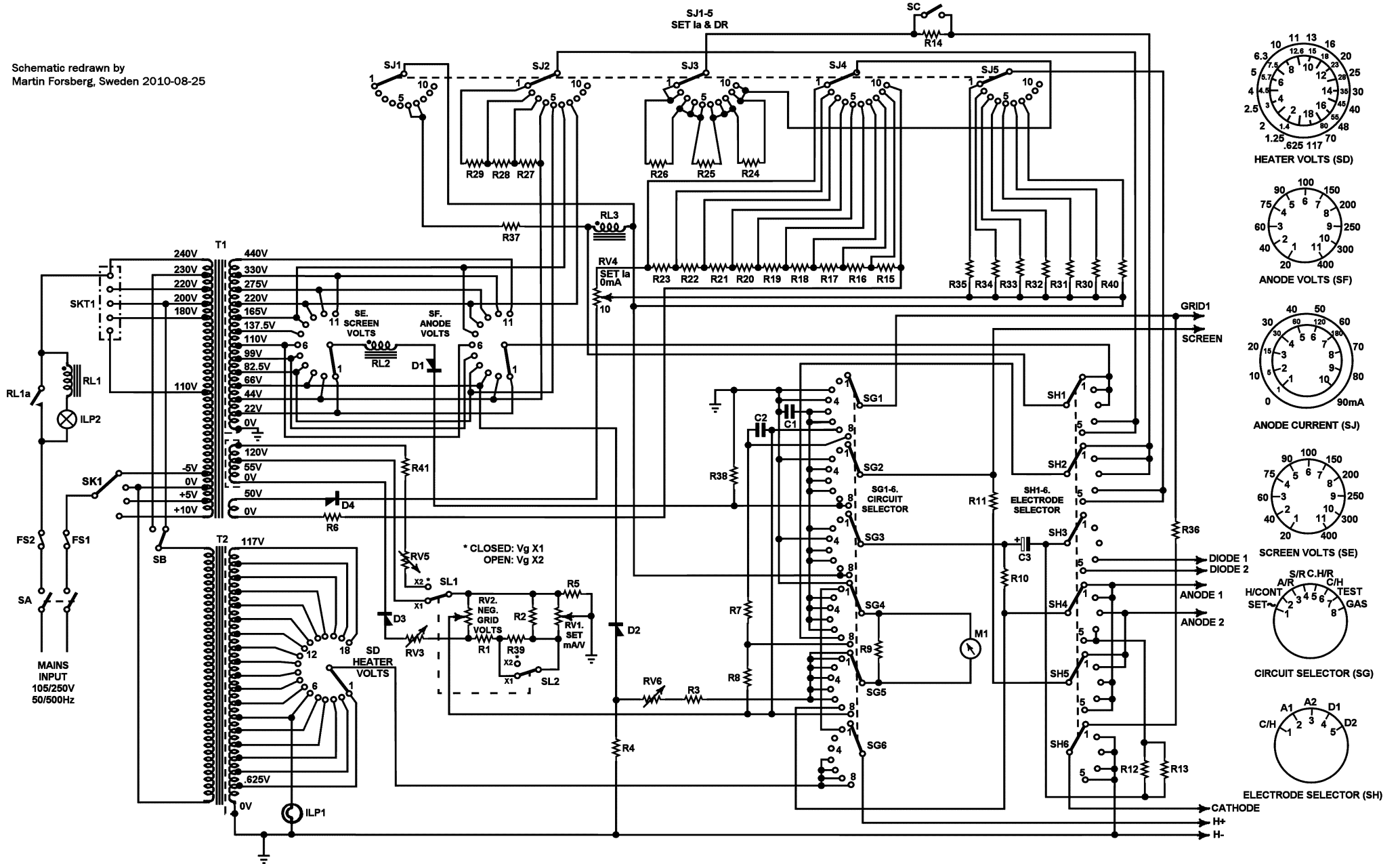
D5, R42 & R38: Anode voltage rectification added D5 = D1,
R42 = R38 = 100 KOhm +/-10% 3 Watt
RV5: Added for calibration purposes, RV5 = RV3
RV6, R3: Modified for calibration purposes, RV6 = 20K, R3 + R4 = 1,31M
D6, D7 & C4: Meter protection circuit added, D6 = D7 = D1,
C4 = 8uF/63VDC Non polarized
WIRES & COMPONENTS: Moved for clarity



Valve Tester type 160 - Circuit Diagram ** Corrected & Modified!

R				6	41	29,1,28,37,39,27,2	5	4	23,26	22,3	25,21,38,20,24,7,8	19	18,17	16	15,9	14	35	34,11,33,10,32	31	30	40,12,13	36	R
S	SA	SK1	SB	SE,SD	SJ1	SL1	SF	SL2	SJ2		SJ3		SJ4	SG1-SG6, SC		SJ5	SH1-SH6						S
MISC.	RL1a,FS2,RL1,ILP2,FS1,SKT1		T1,T2	ILP1	D4,RL2,D3,RV5,RV3,D1		RV2		RV1	RV4,RL3,D2	RV6		C2	C1		M1		C3					MISC.

Schematic redrawn by
Martin Forsberg, Sweden 2010-08-25



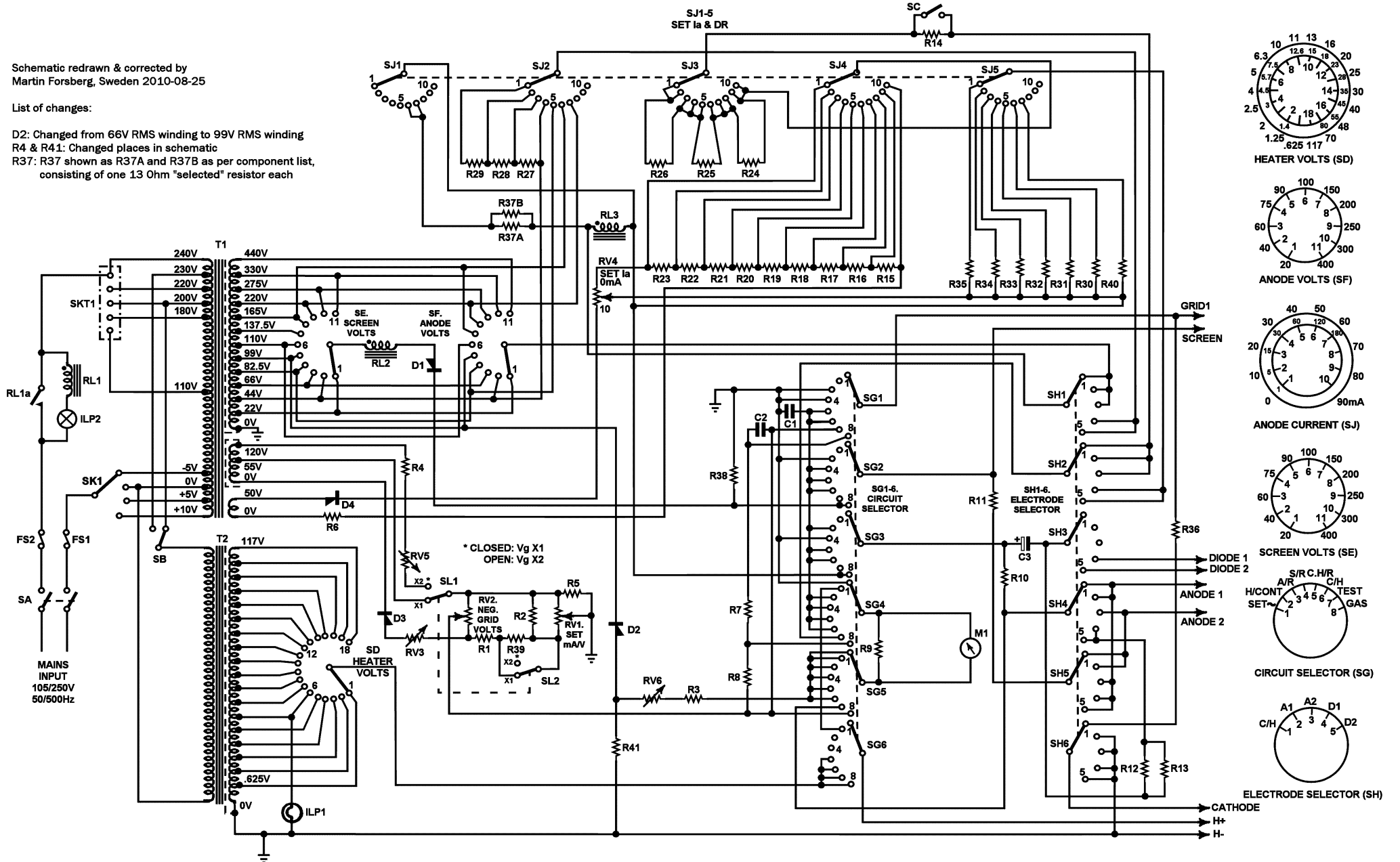
Valve Tester type 160A - Circuit Diagram ** Redrawn!

R	6	4	29,1,28,37,39,27,2	5	41	23,26	22,3	25,21	38,20,24,7,8	19	18,17	16	15,9	14	35	34	11,33,10,32	31	30	40	12,13	36	R
S	SA	SK1	SB	SE,SD	SJ1	SL1	SF	SL2	SJ2	SJ3	SJ4	SG1-SG6, SC	SJ5	SH1-SH6	S								
MISC.	RL1a,FS2,RL1,ILP2,FS1,SKT1	T1,T2	ILP1	D4,RL2,D3,RV5,RV3,D1	RV2	RV1	RV4,RL3,D2	RV6	C2	C1	M1	C3	MISC.										

Schematic redrawn & corrected by
Martin Forsberg, Sweden 2010-08-25

List of changes:

- D2: Changed from 66V RMS winding to 99V RMS winding
- R4 & R41: Changed places in schematic
- R37: R37 shown as R37A and R37B as per component list, consisting of one 13 Ohm "selected" resistor each



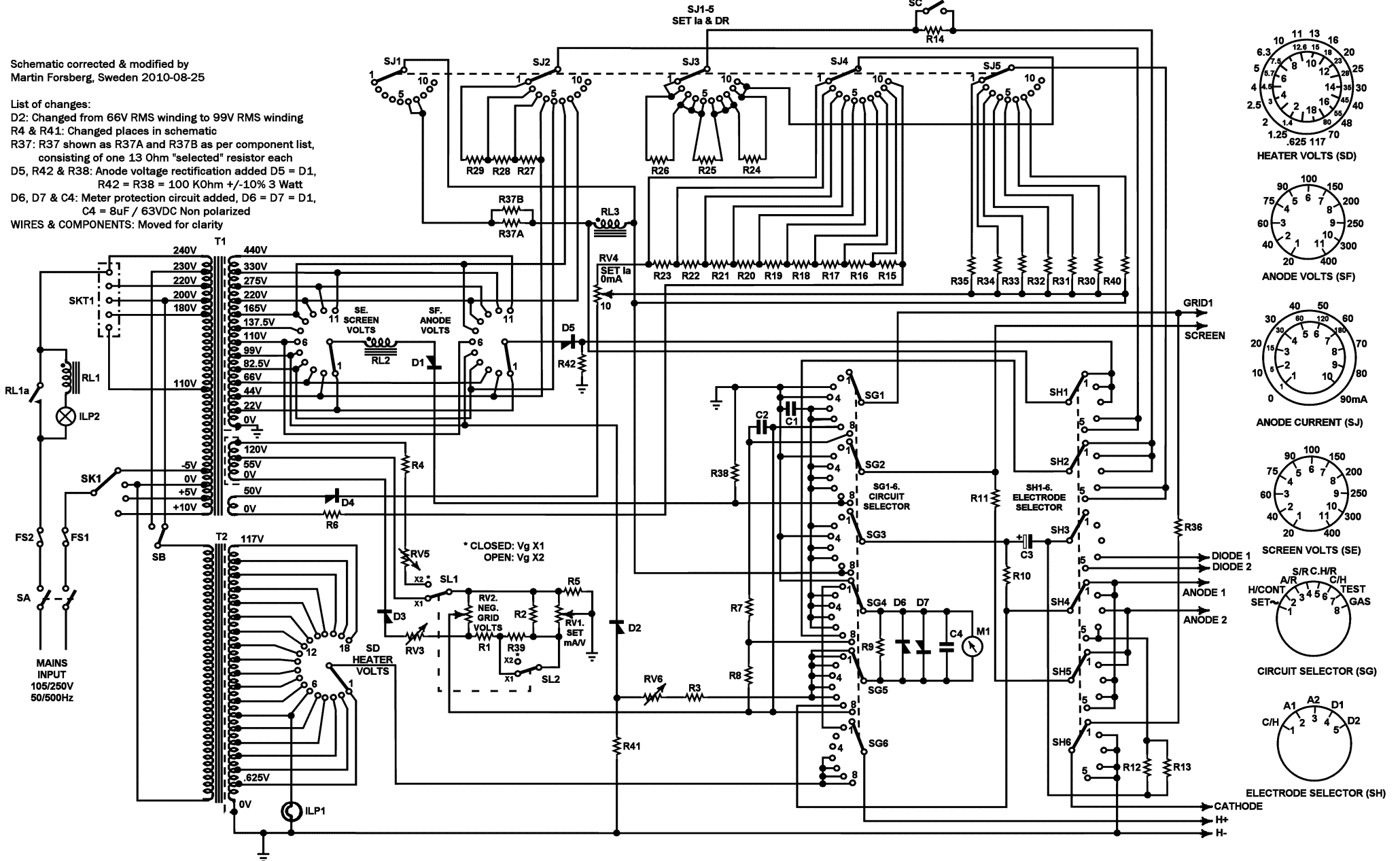
Valve Tester type 160A - Circuit Diagram ** Redrawn & Corrected!

R	6	4	29,1,28,37,39,27,2	5,42	41	23,26	22,3	25,21	38,20,24,7,8	19	18,17	16	15,9	14	35	34	11,33,10,32	31	30	40	12,13	36	R
S	SA	SK1	SB	SE,SD	SJ1	SL1	SF	SL2	SJ2		SJ3	SJ4	SG1-SG6, SC		SJ5	SH1-SH6							S
MISC.	RL1a,FS2,RL1,ILP2,FS1,SKT1	T1,T2	ILP1	D4, RL2, D3, RV5, RV3, D1	RV2	RV1	D5	RV4,RL3,D2	RV6		C2	C1	D6,D7,C4,M1		C3								MISC.

Schematic corrected & modified by
Martin Forsberg, Sweden 2010-08-25

List of changes:

- D2: Changed from 66V RMS winding to 99V RMS winding
- R4 & R41: Changed places in schematic
- R37: R37 shown as R37A and R37B as per component list, consisting of one 13 Ohm "selected" resistor each
- D5, R42 & R38: Anode voltage rectification added D5 = D1, R42 = R38 = 100 Kohm +/-10% 3 Watt
- D6, D7 & C4: Meter protection circuit added, D6 = D7 = D1, C4 = 8uF / 63VDC Non polarized
- WIRES & COMPONENTS: Moved for clarity



Valve Tester type 160A - Circuit Diagram ** Corrected & Modified!